

VIEW B-B

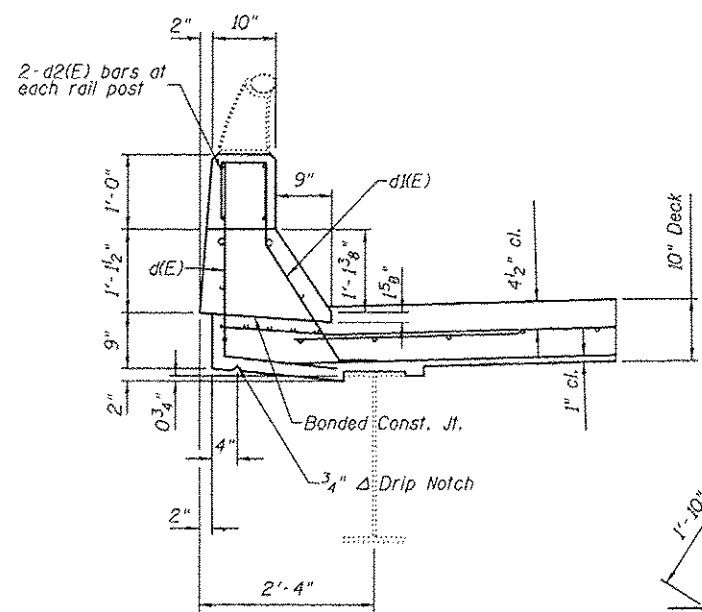
SECTION

SECTION A-A

SECTION C-C

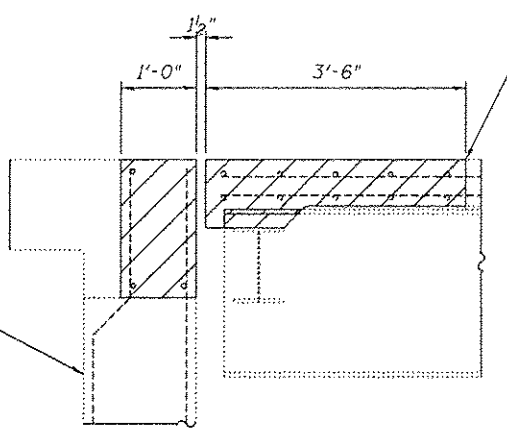
RAIL POST DETAILS

*In lieu of the cast-in-place anchor device shown, the Contractor has the option of drilling and setting stainless steel anchor rods of the same diameter and grade as the specified cap screws according to Article 509.06 of the Standard Specifications. Embedment shall be according to the manufacturer's specifications. Cost of providing anchorages is included with Concrete Superstructure.

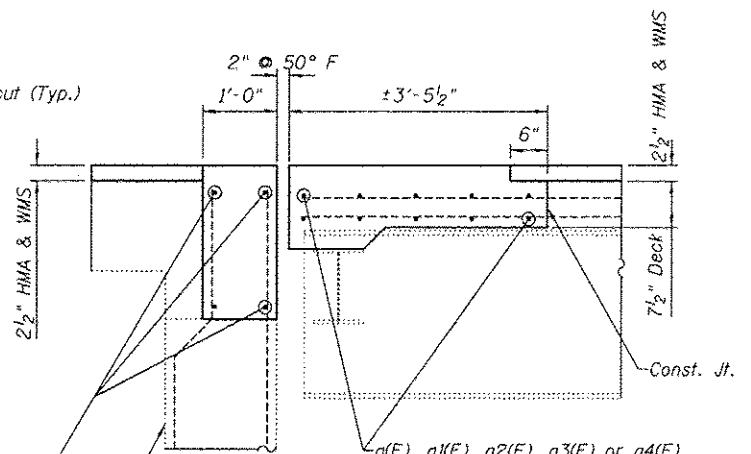


PARAPET SECTION

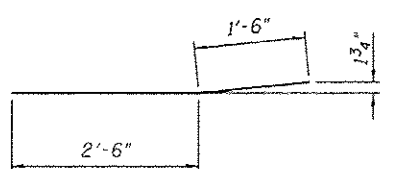
BAR d(E)



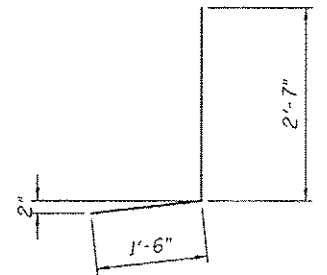
SECTION B-B



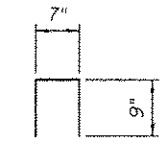
SECTION D-D



BAR a5(E)



BAR d(E)



BAR d2(E)

BILL OF MATERIAL

Bar	No.	Size	Length	Shape
a(E)	20	#5	18'-8"	—
a1(E)	10	#6	29'-2"	—
a2(E)	10	#5	21'-5"	—
a3(E)	20	#6	17'-11"	—
a4(E)	20	#5	21'-11"	—
a5(E)	32	#6	4'-0"	—
d(E)	32	#4	4'-1"	J
d1(E)	32	#5	3'-5"	J
d2(E)	16	#4	2'-1"	□
h(E)	8	#6	18'-9"	—
h1(E)	16	#6	12'-8"	—
h2(E)	4	#6	29'-4"	—
h3(E)	8	#5	24'-5"	—
h4(E)	4	#6	21'-3"	—
h5(E)	8	#5	15'-1"	—
h6(E)	8	#6	22'-0"	—
h7(E)	16	#5	12'-1"	—
h8(E)	8	#6	18'-0"	—
h9(E)	16	#5	11'-3"	—
Concrete Removal		Cu. Yd.	62.3	
Concrete Superstructure		Cu. Yd.	69.0	
Reinforcement Bars, Epoxy Coated		Lbs.	4500	

Reinforcement bars designated (E) shall be epoxy coated.

REVISION

1-4-13