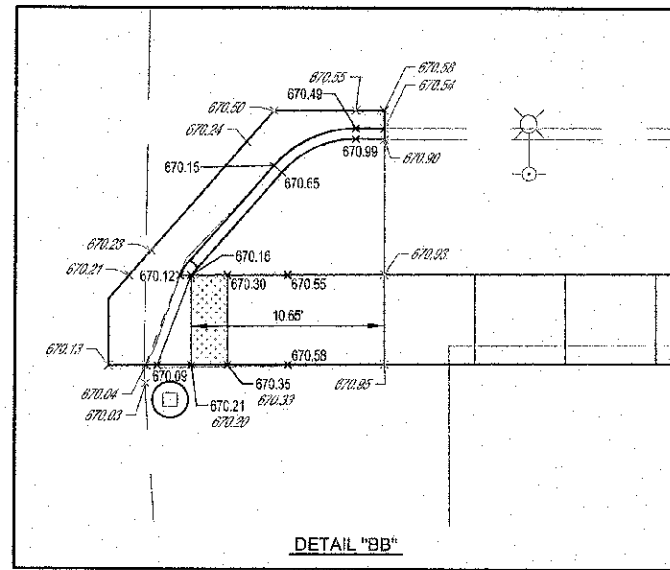
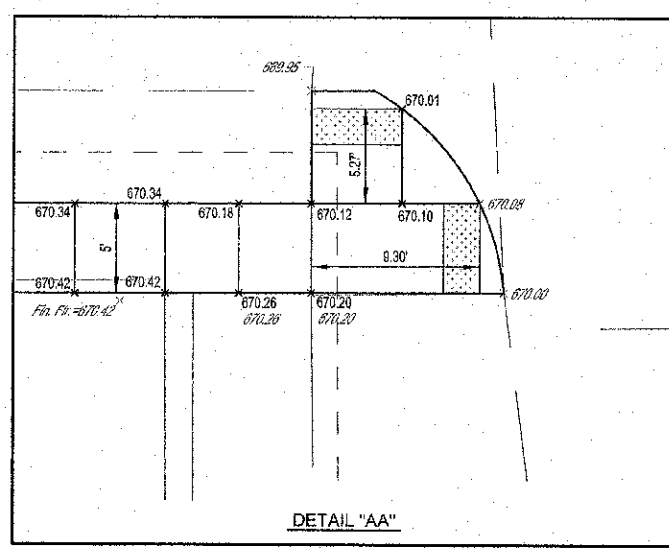
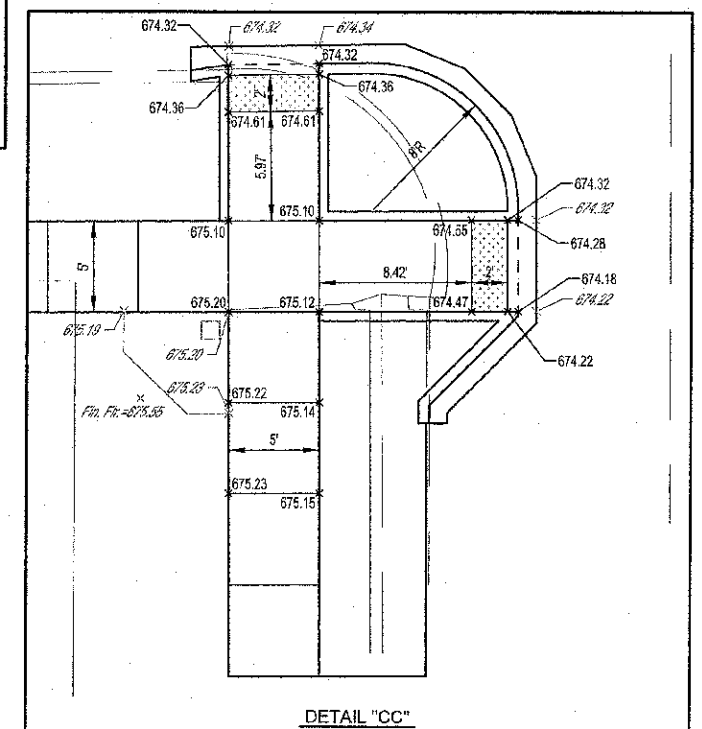
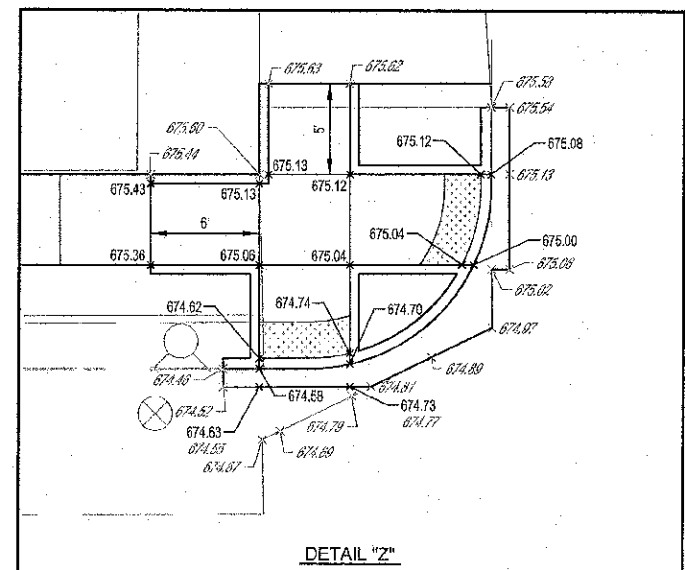
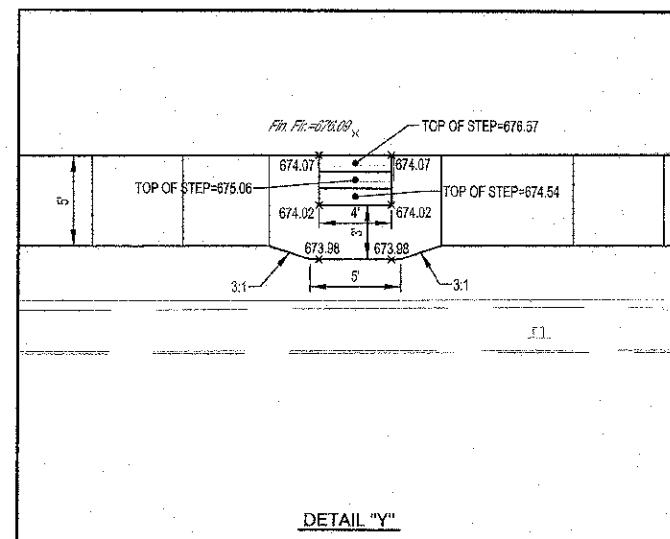
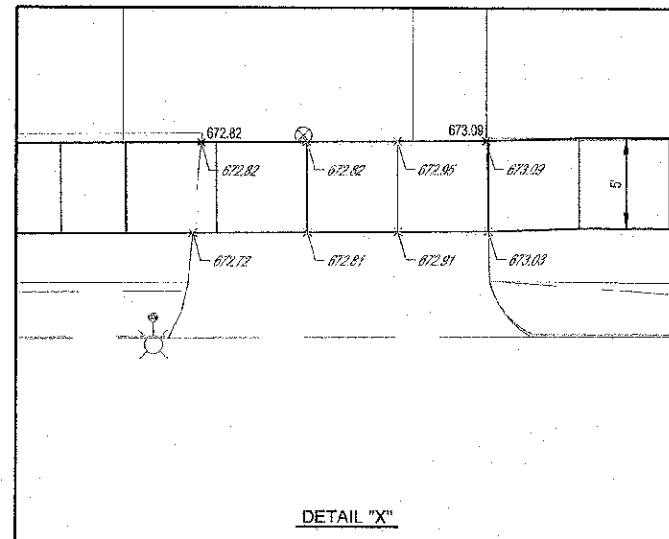
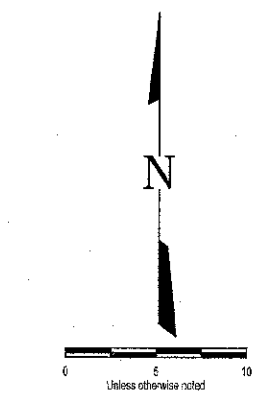
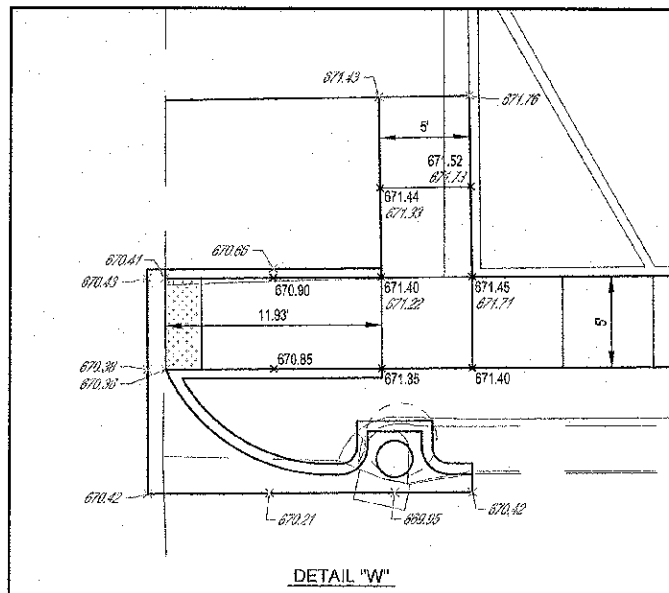
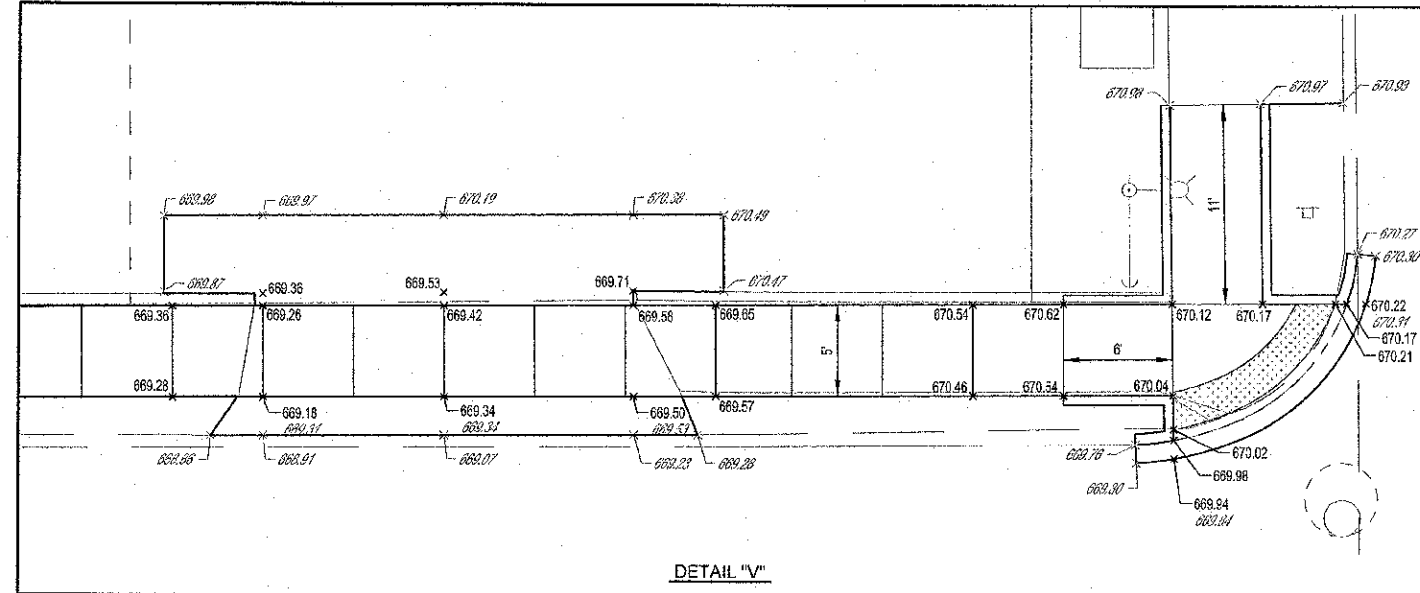


ROUTE NO.	SECTION	COUNTY	TOTAL SHEETS	SHEET NO.
11-0003-06-00		MOULTRIE	44	25
FED. ROAD DIST. NO. 7	ALIGNMENT	FED. AID PROJECT	CONTRACT #95696	



- SIDEWALK CONSTRUCTION NOTES:**
1. SIDEWALK THAT HAS A RUNNING GRADE BETWEEN 5% (20:1) AND 8.33% (12:1) SHALL BE TEXTURED TO CREATE A NON-SLIP SURFACE.
 2. CROSS SLOPE ON SIDEWALK SHALL NOT EXCEED 1.50%.
 3. NO SIDEWALK SHALL HAVE A RUNNING GRADE EXCEEDING 8.33% (12:1).
 4. EXPANSION JOINT MATERIAL SHALL BE PLACED ALONG THE EXISTING BUILDING AND FOUNDATIONS ADJACENT AND FULL DEPTH TO THE P.C.C. SIDEWALK 4 INCH.

MILANO & GRUNLOCH ENGINEERS, LLC
 114 WEST BROADWAY
 P.O. BOX 697
 EFFINGHAM, ILLINOIS 62401
 Phone: (217) 347-2332
 Fax: (217) 347-2714
 (217) 343-3433
 Web Address: www.mgeng.com
 Design Firm #: 184-003758

SIDEWALK PLAN
JEFFERSON STREET
CITY OF SULLIVAN, ILLINOIS

File name: S:\DWG\10110295\dwg\Sidewalk.dwg
 Plot date: 11/08/12 at 15:50
 P. 8. 688, 670, 671