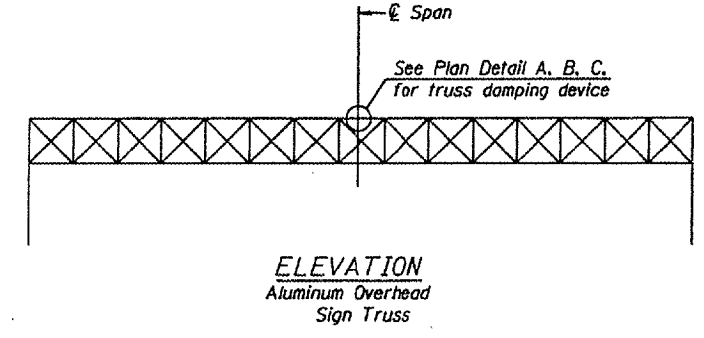
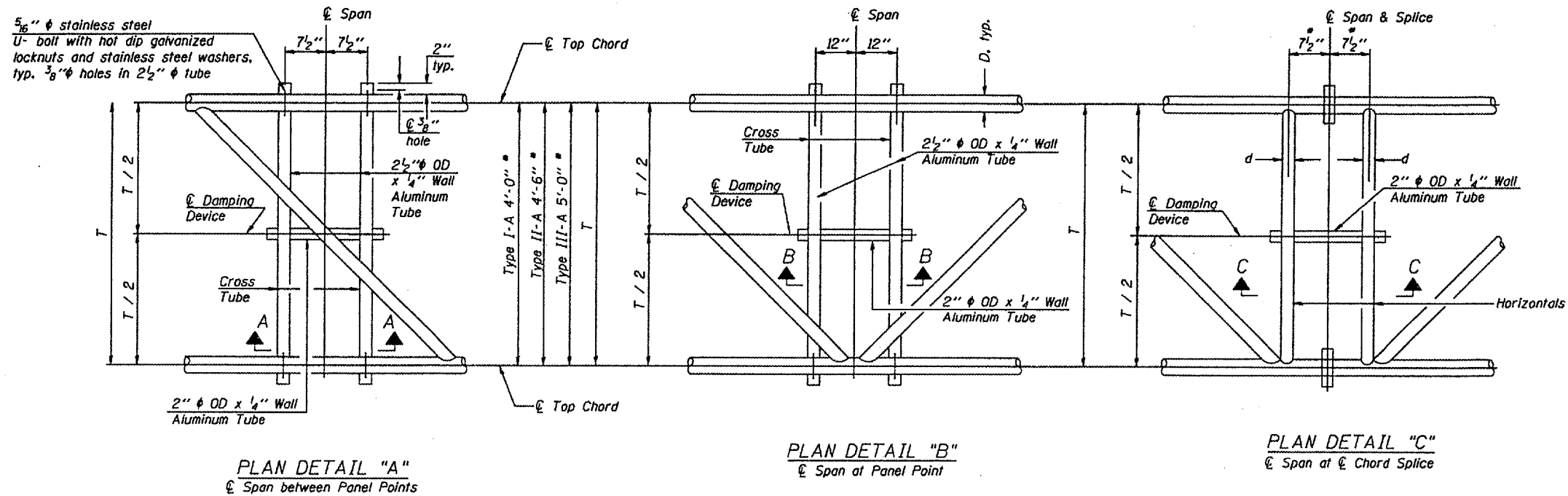


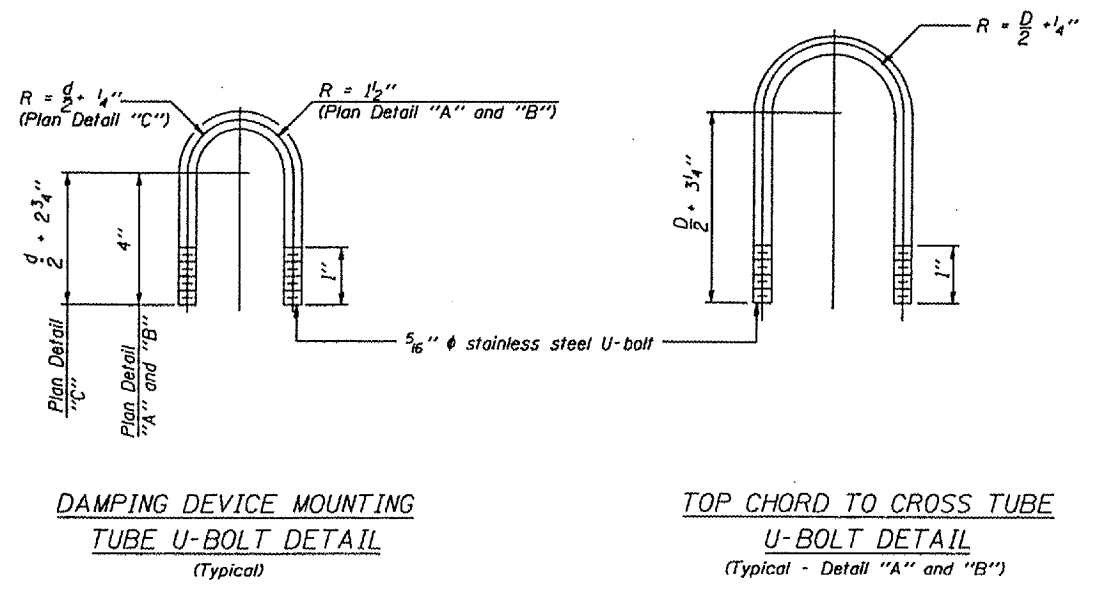
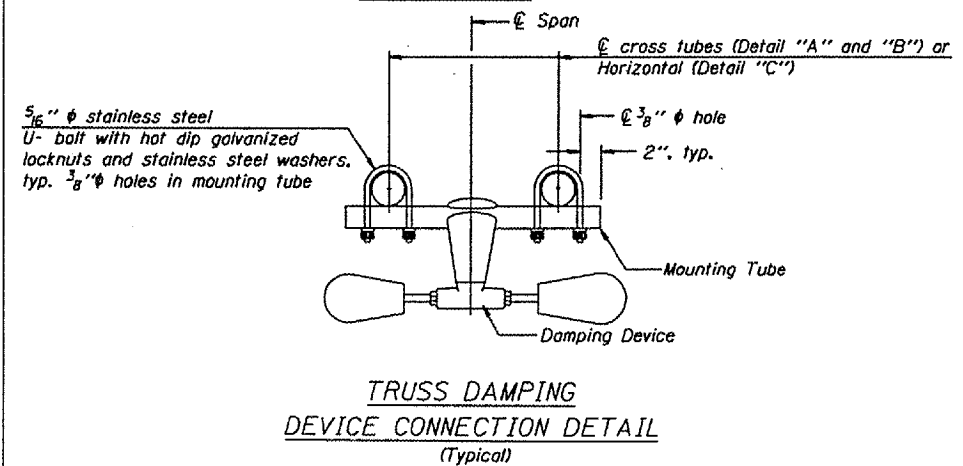
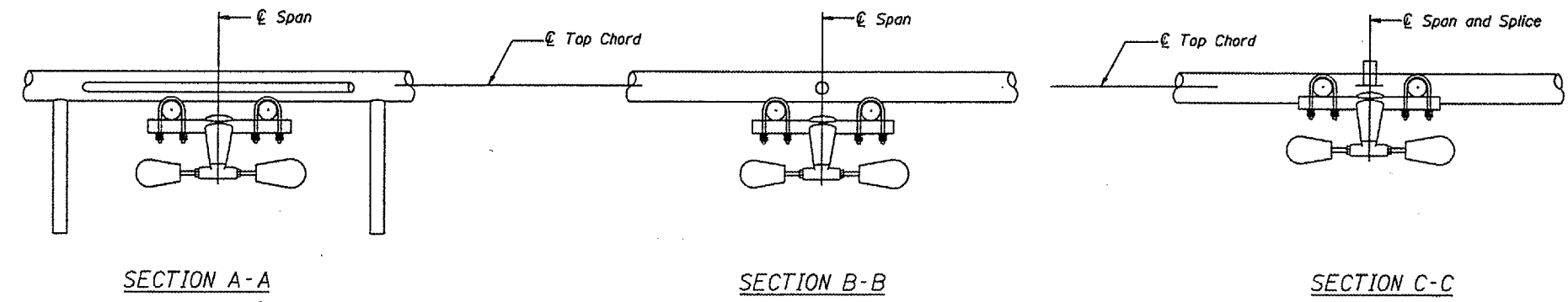
STATE OF ILLINOIS
DEPARTMENT OF TRANSPORTATION

* Center of horizontal to center of splice dimension may vary. Verify before drilling holes in mounting tube.

Various Routes
OVD SIN STR REP & REPL 2007-9
Various Counties
Sheet 35 of 50
Contract Number 44933



NOTES
Damper: One damper per truss. (31 lbs. Stockbridge-Type Aluminum) Cost included in Overhead Sign Structure...
Materials: Aluminum tubes shall be ASTM B221 alloy 6061 temper T6. Cost included in Overhead Sign Structure...



DESIGNED -	20
CHECKED -	EXAMINED
DRAWN -	PASSED
CHECKED -	ENGINEER OF BRIDGES AND STRUCTURES

OS-A-D 7/01/2006

OVERHEAD SIGN STRUCTURE DAMPING DEVICE

District 6
Overhead Sign
Structure Replacement