

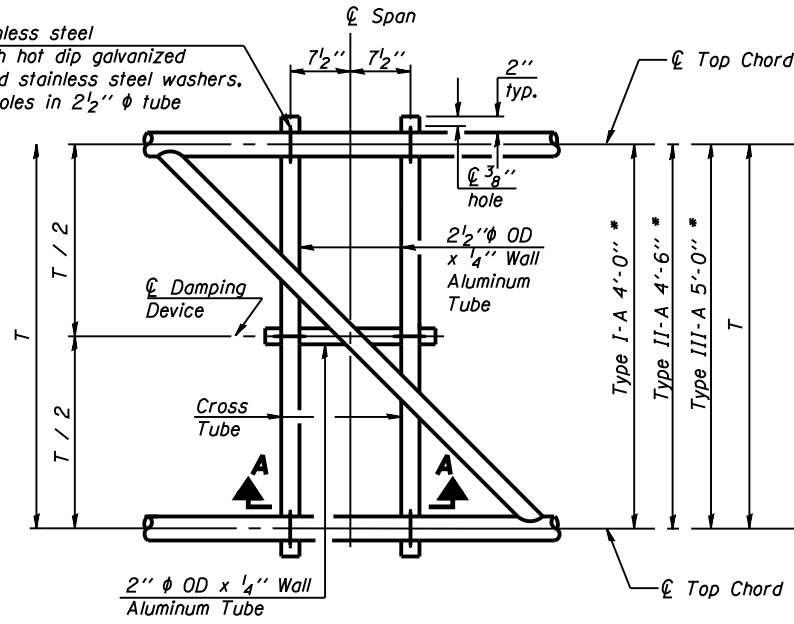
STATE OF ILLINOIS
DEPARTMENT OF TRANSPORTATION

* Center of horizontal to center of splice dimension may vary. Verify before drilling holes in mounting tube.

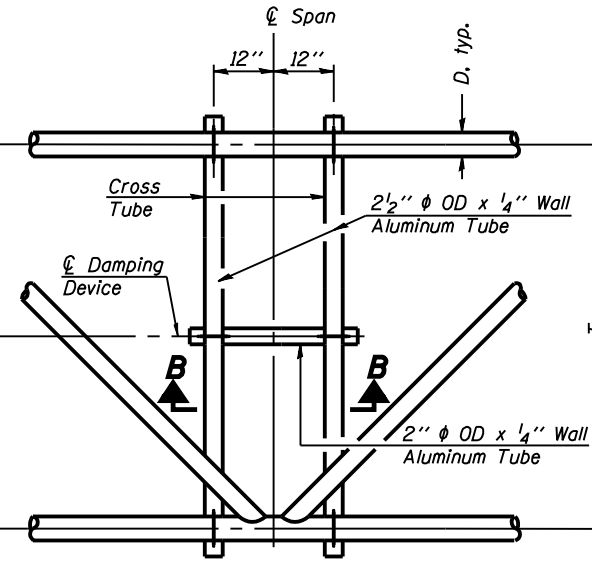
ROUTE NO.	SECTION	COUNTY	SHEET NO.	SHEET	SHEET NO.
F.A.I. 72	D-6 ITS #2	SANGAMON	30	16	- SHEETS
FED. ROAD DIST. NO. 7	ILLINOIS	FED. AID PROJECT			

Contract # 72A18

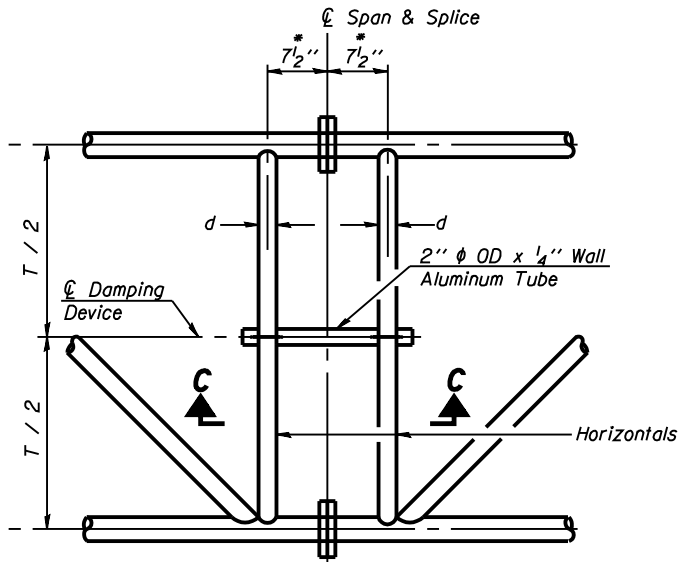
5/16" φ stainless steel U-bolt with hot dip galvanized locknuts and stainless steel washers. typ. 3/8" φ holes in 2 1/2" φ tube



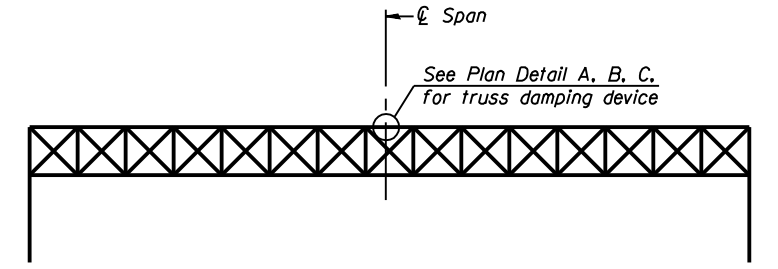
PLAN DETAIL "A"
Span between Panel Points



PLAN DETAIL "B"
Span at Panel Point



PLAN DETAIL "C"
Span at Chord Splice

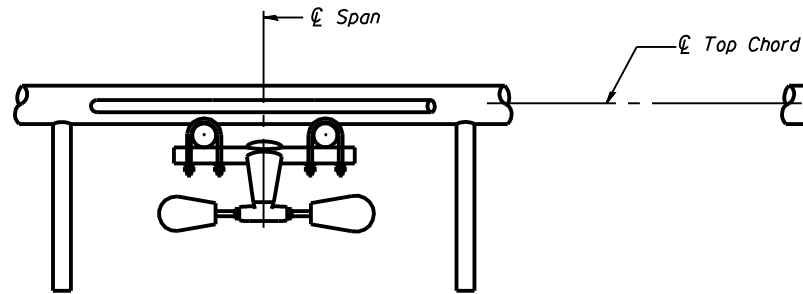


ELEVATION
Aluminum Overhead Sign Truss

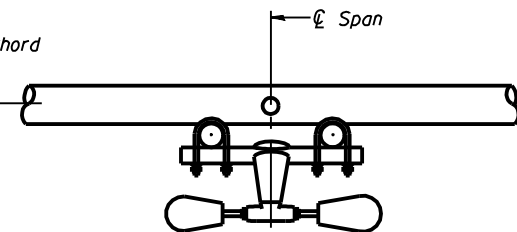
NOTES

Damper: One damper per truss. (31 lbs. Stockbridge-Type Aluminum) Cost included in Overhead Sign Structure...

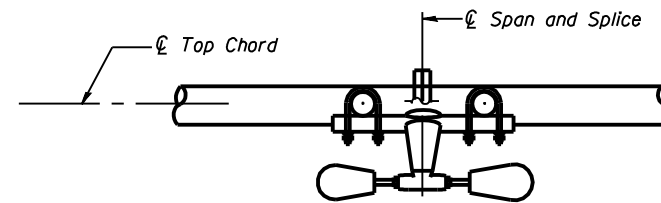
Materials: Aluminum tubes shall be ASTM B221 alloy 6061 temper T6. Cost included in Overhead Sign Structure...



SECTION A-A

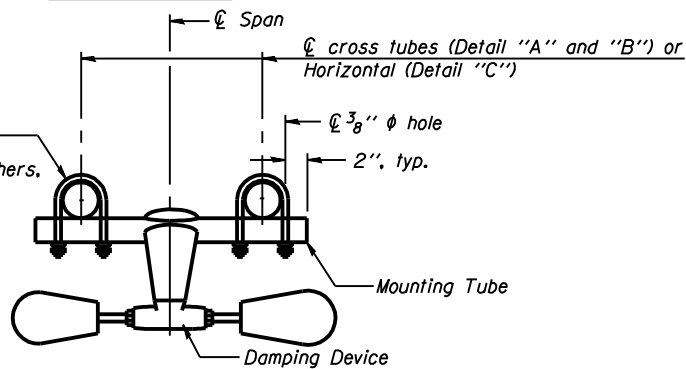


SECTION B-B

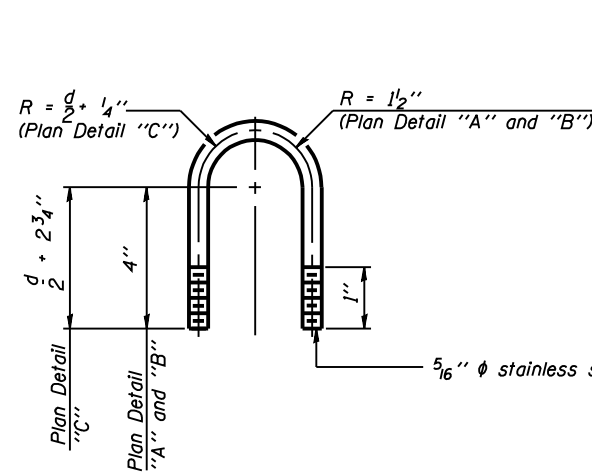


SECTION C-C

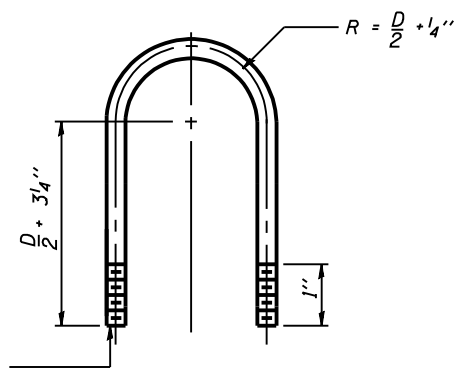
5/16" φ stainless steel U-bolt with hot dip galvanized locknuts and stainless steel washers. typ. 3/8" φ holes in mounting tube



TRUSS DAMPING DEVICE CONNECTION DETAIL
(Typical)



DAMPING DEVICE MOUNTING TUBE U-BOLT DETAIL
(Typical)



TOP CHORD TO CROSS TUBE U-BOLT DETAIL
(Typical - Detail "A" and "B")

DESIGNED -	200
CHECKED -	EXAMINED
DRAWN -	ENGINEER OF BRIDGE DESIGN
CHECKED -	PASSED
	ENGINEER OF BRIDGES AND STRUCTURES

OS-A-D

7/01/2006

OVERHEAD SIGN STRUCTURE DAMPING DEVICE

F.A.I. 72 (I-72)
SECTION D-6 ITS #2
SANGAMON COUNTY