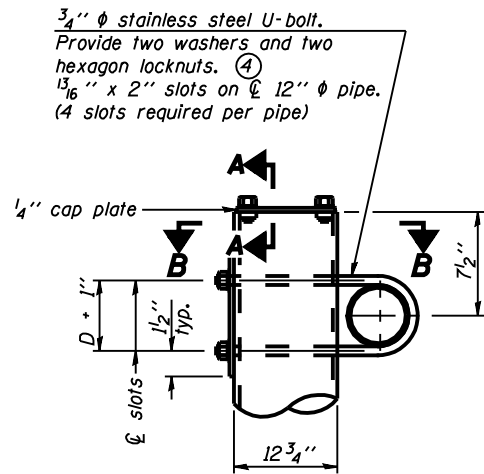


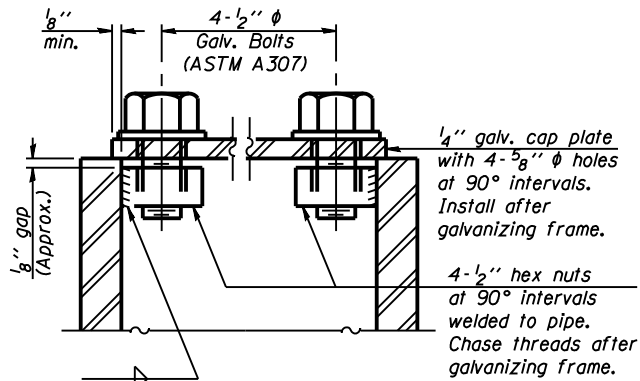
STATE OF ILLINOIS
DEPARTMENT OF TRANSPORTATION

ROUTE NO.	SECTION	COUNTY	SHEET	SHEET	SHEET NO.
F.A.I. 72	D-6 ITS #2	SANGAMON	30	17	- SHEETS
FED. ROAD DIST. NO. 7	ILLINOIS	FED. AID PROJECT			

Contract # 72A18

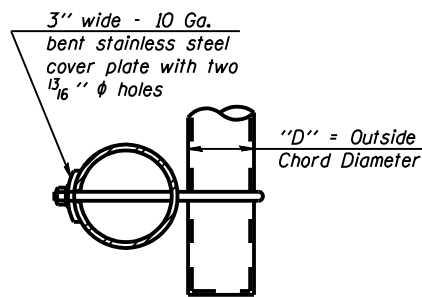


DETAIL A

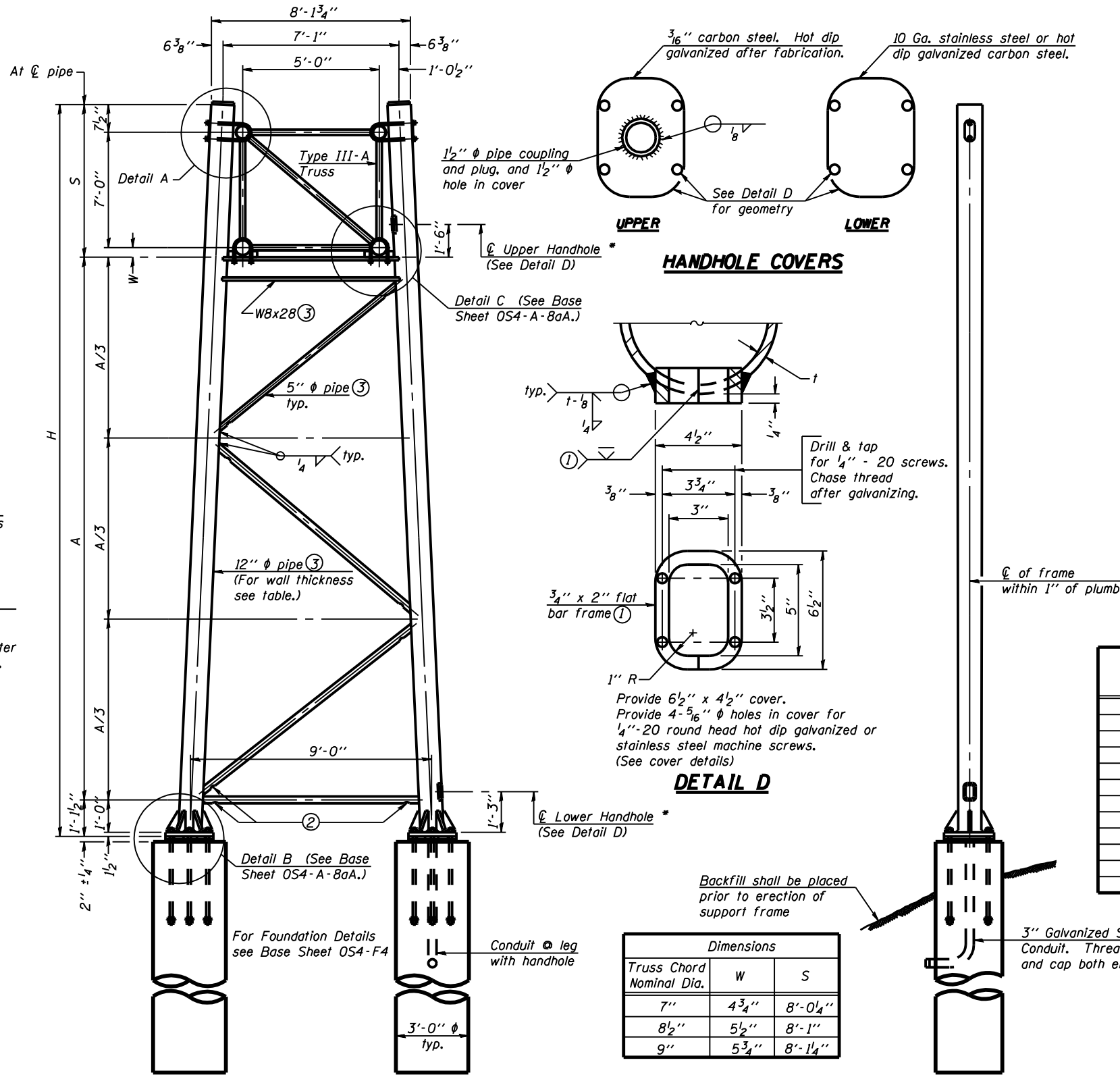


SECTION A-A

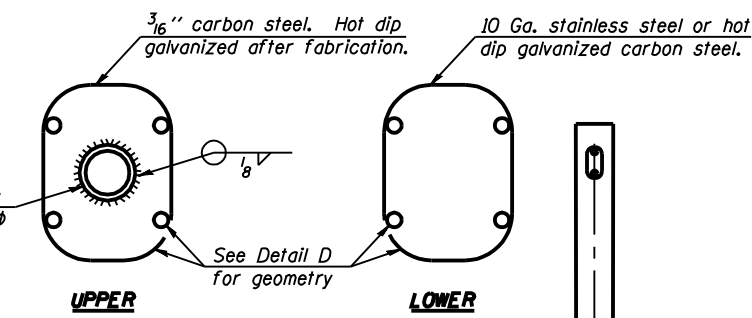
As an alternate to bolts, may use galvanized drive-fit caps installed after galvanizing frame.



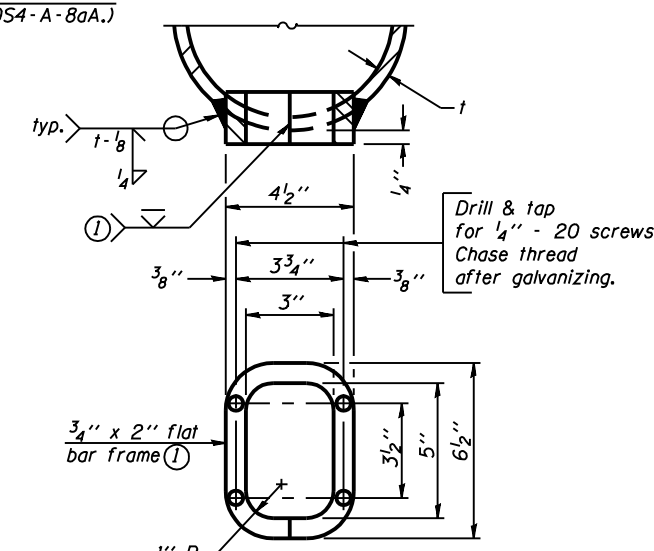
SECTION B-B



SIDE ELEVATION



HANDHOLE COVERS



DETAIL D

Dimensions		
Truss Chord Nominal Dia.	W	S
7"	4 3/4"	8'-0 1/4"
8 1/2"	5 1/2"	8'-1"
9"	5 3/4"	8'-1 1/4"

TRUSS SUPPORT DETAILS

(12" ϕ Pipe-Type III-A Truss)

Support Design Loads: See Base Sheet OS-A-1 for design and loading criteria.
Load combinations checked include deadload plus:
a) 100% wind normal to sign, 20% parallel to sign
b) 60% wind normal to sign, 30% parallel to sign

- In lieu of fabricated handhole frame as shown, may cut from 2" plate (rolling direction vertical). All cut faces to be ground to ANSI Roughness of 500 min or less.
- Galvanizing vent holes of adequate size shall be provided on underside at each end of bracing pipes. Alternately, holes may be provided in wall of pipe column. All vent holes shall be drilled and de-burred, typ.
- Steel pipe, plate, carbon steel handhole covers and rolled sections shall be hot dip galvanized after fabrication. Painting is not permitted. See Base Sheet OS-A-1.
- See General Notes for fasteners.
- Dimensions shown are based on selection criteria in the Sign Structures Manual. Nonstandard applications must have dimensions verified or amended as appropriate.
- "H" based on 15'-0" or actual sign height, whichever is greater.

* For dynamic message sign installations, provide upper and lower handholes in both legs of each support frame.

Structure Number	Station	Support		Pipe Wall Thickness	H (6)	A
		Left	Right			
6S0841072R090.2	467+50.00	X		0.33	30'-7 7/8"	21'-6 1/8"
			X	0.33	30'-7 7/8"	21'-6 1/8"
6S0841072L106.3	171+700.00	X		0.33	32'-1/2"	22'-10 3/4"
			X	0.33	29'-6 5/8"	20'-4 7/8"

DESIGNED -	200
CHECKED -	EXAMINED
DRAWN -	PASSED
CHECKED -	ENGINEER OF BRIDGES AND STRUCTURES

OS4-A-8a

7/01/2006

NUMBER	REVISION	DATE

**OVERHEAD SIGN STRUCTURES
SUPPORT FRAME FOR
TYPE III-A ALUMINUM TRUSS**

F.A.I. 72 (1-72)
SECTION D-6 ITS #2
SANGAMON COUNTY