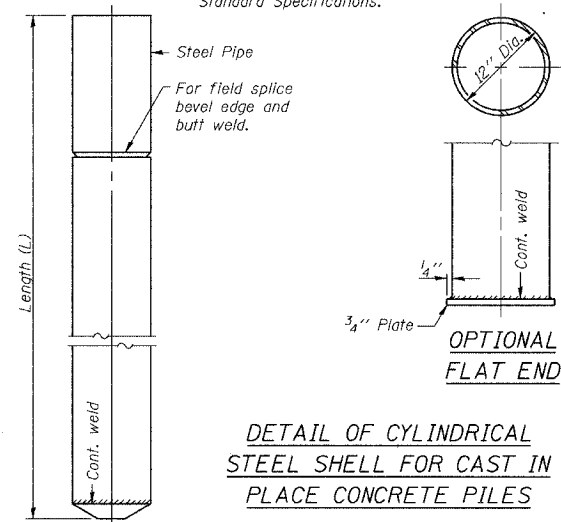


ROUTE NO.	SECTION	COUNTY	TOTAL SHEETS	SHEET NO.
C.H. 20	05-00195-00-BR	MACON	18	18
FED. ROAD DIST. NO.		ILLINOIS	PROJECT BRS-549(10)	

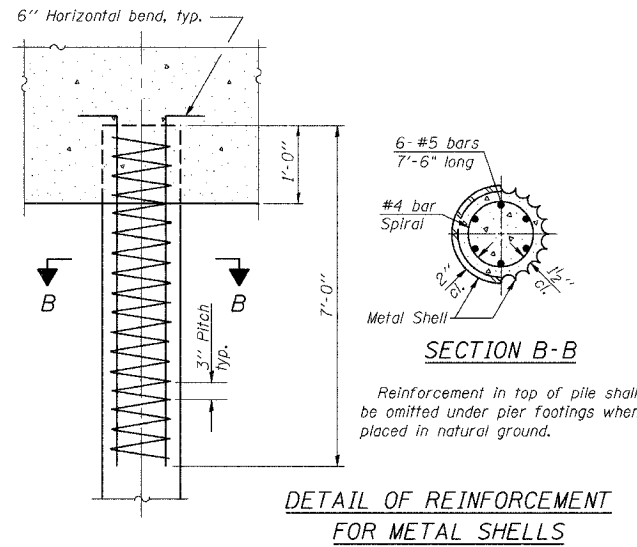
CONTRACT NO. 95492

PILE DETAILS

Notes: Driving and bearing ends of pipe shall be cut square. The thickness of the shell shall be 0.250 inches with a tolerance of 5%. The shell shall be according to Article 1006.05(a) of the Standard Specifications.

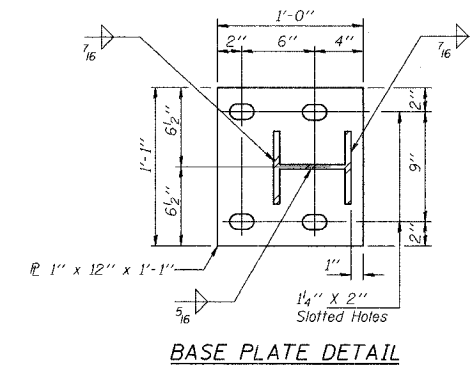


DETAIL OF CYLINDRICAL STEEL SHELL FOR CAST IN PLACE CONCRETE PILES

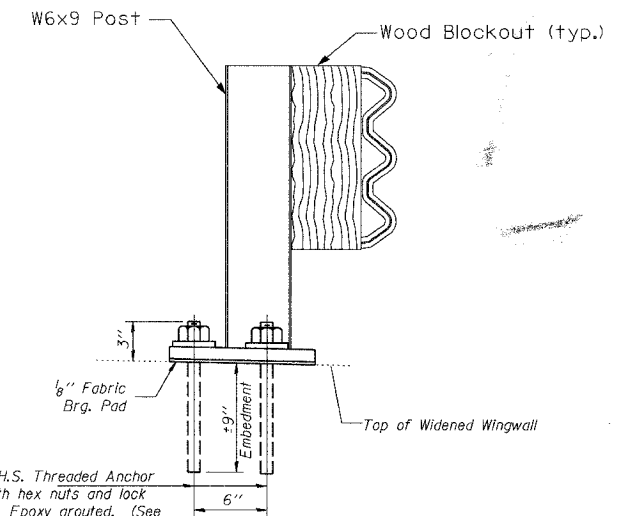


DETAIL OF REINFORCEMENT FOR METAL SHELLS

GUARDRAIL MOUNTING - S.W. & N.E. WINGWALLS

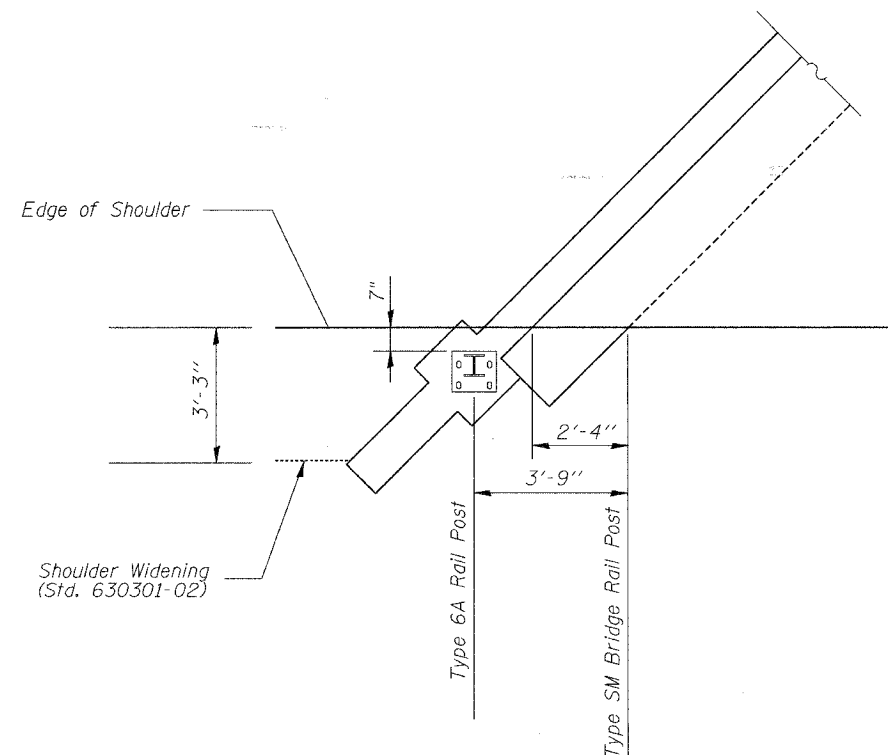


BASE PLATE DETAIL



SECTION AT RAIL POST

S.W. & N.E. WINGWALLS



PILE & WINGWALL POST DETAILS

Date	Designed MJP	C.H. 20 OVER DRAINAGE DITCH SECTION 05-00195-00-BR MACON COUNTY STA. 15+66.99 PROP. STR. NO. 058-3377	Sheet No.
Revisions	Drawn MJP		6
	Checked KWB		
	Approved KWB		
Prepared by:	URS 345 East Ash Avenue Decatur, IL 62526		
		URS Job No.	36431466