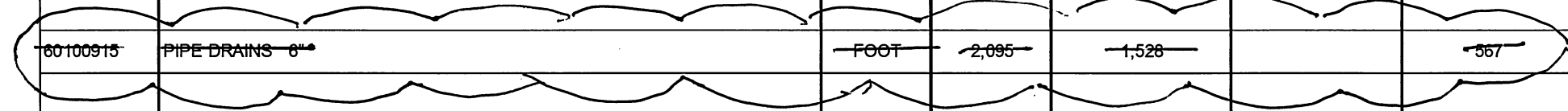


RURAL

CODE NO.	ITEM	UNIT	TOTAL QUANTITY	LOCATION		
				FAI 74 (I-74)	FAI 74 (I-74)	FAI 74 (I-74)
				INTERSTATE	INTERSTATE	INTERSTATE
				**	***	****
COUNTY				CHAMPAIGN	CHAMPAIGN	CHAMPAIGN
FUNDING				90% FED 10% STATE	90% FED 10% STATE	90% FED 10% STATE
				ROADWAY 0006 RURAL	BOX CULVERT 0004 S.N. 010-2045	ROADWAY 0006 URBAN
48203100	HOT-MIX ASPHALT SHOULDERS	TON	15,631	8,052		7,579
50100100	REMOVAL OF EXISTING STRUCTURES	EACH	1		1	
50104400	CONCRETE HEADWALL REMOVAL	EACH	90	57		33
50200450	REMOVAL AND DISPOSAL OF UNSUITABLE MATERIAL FOR STRUCTURES	CU YD	512		512	
51500100	NAME PLATES	EACH	1		1	
52200020	TEMPORARY SOIL RETENTION SYSTEM	SQ FT	1622		1622	
52200600	GEOTEXTILE RETAINING WALL	SQ FT	344		344	
54001001	BOX CULVERT END SECTIONS, CULVERT NO. 1	EACH	2		2	
54248510	CONCRETE COLLAR	CU YD	2	0.7		1.3
60100060	CONCRETE HEADWALLS FOR PIPE DRAINS	EACH	46	28		18
60100070	SHOULDER REMOVAL AND REPLACEMENT	FOOT	540	342		198
60100080	FRENCH DRAINS	CU YD	4	2		2
60100085	GEOTECHNICAL FABRIC FOR FRENCH DRAINS	SQ YD	23	9		14
60100915	PIPE DRAINS 6"	FOOT	2,095	1,528		567

\*\* STA 483+83.09 TO STA 699+66.60  
 STA 858+71.50 TO STA 880+00.00  
 \*\*\* STA 508+85.75  
 \*\*\*\* STA 427+69.46 TO STA 483+83.09  
 STA 699+66.60 TO STA 858+71.50



A

\* SPECIALTY ITEM

FILE NAME = ... \CAD_Sheets\0570789-ah-500.dgn	USER NAME = bamey	DESIGNED -	REVISED -	<b>STATE OF ILLINOIS DEPARTMENT OF TRANSPORTATION</b>	<b>SUMMARY OF QUANTITIES</b>			F.A.I. RTE.	SECTION	COUNTY	TOTAL SHEETS	SHEET NO.
Default	PLOT SCALE = 100.0000' / 1in.	DRAWN -	REVISED -					74	10-6RS-4 & 10-7RS-3	CHAMPAIGN	109	7
	PLOT DATE = 10/19/2017 - 2:48:04 PM	CHECKED -	REVISED -		SCALE: N.T.S. SHEET OF SHEETS STA. TO STA.			ILLINOIS FED. AID PROJECT				
		DATE -	REVISED -									

1-11-19 REV



DRAINAGE

URBAN / RURAL	LOCATION STATION TO STATION	SIDE	PIPE UNDERDRAINS 4"	PIPE UNDERDRAINS 4", (SPECIAL)	PIPE UNDERDRAINS, TYPE 2, 6"	PIPE DRAINS 6"	CONCRETE HEADWALLS FOR PIPE DRAINS	FRENCH DRAINS	GEOTECHNICAL FABRIC FOR FRENCH DRAINS	INLET TYPE A, TYPE 1 FRAME, OPEN LID	DIRECTIONAL BORING	COARSE AGGREGATE	UNDERDRAIN CONNECTION TO STRUCTURE	CLEANING UNDERDRAIN OUTLETS	PIPE UNDERDRAIN REMOVAL	CONCRETE HEADWALL REMOVAL	SHOULDER REMOVAL AND REPLACEMENT
			60107600	60108100	60108206	60100915	60100060	60100080	60100085	60234200	X0325379	X0795800	Z0076870	X0320157	Z0040530	50104400	60100070
CHAMPAIGN COUNTY			FOOT	FOOT	FOOT	FOOT	EACH	CU YD	SQ YD	EACH	FOOT	TON	EACH	EACH	FOOT	EACH	FOOT
I-74														22			
URBAN	427+69.46 TO 483+83.09	EB												22			
URBAN	427+69.46 TO 483+83.09	WB															
URBAN	429+08.73	WB				88	1			1	88		1				
URBAN	429+08.73	EB		17									1				
URBAN	429+08.73 TO 429+25.81	CL			17							2.3	1				
URBAN	429+25.81	WB		21													
URBAN	440+06.30	EB				68	1			1	68		1		22	1	6
URBAN	445+00.31 TO 445+64.04	WB		19	64							8.7	1				
URBAN	445+64.00	CL													18	1	6
URBAN	475+10.68	WB													22	1	6
URBAN	475+10.68 TO 479+94.10	WB		22	483	70	1			1	70	66.2	2				
URBAN	479+94.10	WB													22	1	6
URBAN	481+97.63	EB													18	1	6
URBAN	481+97.63 TO 482+85.36	EB		18	88							12.0	1		22	1	6
RURAL	483+83.09 TO 699+66.60	EB												86			
RURAL	483+83.09 TO 699+66.60	WB												86			
RURAL	484+96.44	WB		22													
RURAL	484+96.44 TO 492+18.41	EB			721	64	1			1	64	98.9	2				
RURAL	492+18.41	EB													18	1	6
RURAL	494+81.89	WB													22	1	6
RURAL	494+81.89 TO 500+70.55	CL			588							80.6	1				
RURAL	494+81.89	WB		21													
RURAL	495+00.11	EB		19													
RURAL	499+86.83	WB		22											22	1	6
RURAL	500+70.55	EB		18											18	1	6
RURAL	500+70.55	WB				67	1			1	67		1				
RURAL	505+09.45	WB				72	1			1	72		1		22	1	6
RURAL	510+15.02 TO 515+03.03	CL			488							66.8	1				
RURAL	510+15.02	WB		22											22	1	6
RURAL	510+91.97	EB		18											18	1	6
RURAL	511+07.16	EB		18											18	1	6
RURAL	515+03.03	WB				71	1			1	71		1		22	1	6
RURAL	525+88.06	WB													22	1	6
RURAL	525+88.06 TO 528+98.91	WB/ CL		22	310	72	1			1	72	42.6	2				
RURAL	528+98.91	WB													22	1	6
RURAL	535+01.73 TO 536+00.79	EB/CL		18	99							13.6	1				
RURAL	535+01.73	EB													18	1	6
RURAL	537+97.19 TO 541+01.08	CL			303							41.6	1				
RURAL	537+97.19	WB		15											22	1	6
RURAL	538+07.32	EB		20											18	1	6
RURAL	541+01.08	EB/WB		17		72	1			1	72		2		18	1	6
RURAL	546+88.85	EB				63	1			1	63		1		18	1	6
RURAL	554+06.64 TO 556+84.53	CL			277							38.1	1				
RURAL	554+06.64	WB															
RURAL	556+84.53	WB		23											22	1	6
RURAL	562+31.15 TO 565+10.52	CL			278							38.3	1				
RURAL	562+31.15	EB				64	1			1	64		1		18	1	6
RURAL	564+16.87	WB		23											22	1	6
RURAL	565+10.52	EB		17											18	1	6
RURAL	571+98.56	EB				63	1			1	63		1		18	1	6
RURAL	579+07.40	WB													22	1	6
RURAL	579+07.40 TO 583+94.46	WB/CL		23	487	69	1			1	69	66.7	2		22	1	6
RURAL	583+96.46 TO 584+20.93	CL/EB		17	25							3.4	1		18	1	6
RURAL	591+02.46	CL/WB				69	1			1	69		1		22	1	6
RURAL	594+02.04 TO 600+02.32	EB/CL			600	74	1			1	74	82.2	2		18	1	6
RURAL	597+00.29	WB		17											22	1	6
RURAL	597+01.21	EB		22											18	1	6
RURAL	599+86.29	EB		23											18	1	6
RURAL	600+02.32	WB		17											22	1	6

SCHEDULE CONTINUED ON NEXT SHEET

FILE NAME =	USER NAME = dennygo	DESIGNED -	REVISED -	STATE OF ILLINOIS DEPARTMENT OF TRANSPORTATION	SCHEDULES	F.A.I. RTE.	SECTION	COUNTY	TOTAL SHEETS	SHEET NO.	
... \D578789-sht-schedule.dgn		DRAWN -	REVISED -			74	10-GRS-4 & 10-TRS-3	CHAMPAIGN	109	21	
Default	PLOT SCALE = 100.0000' / in.	CHECKED -	REVISED -			SCALE: N.T.S.	SHEET OF SHEETS	STA. TO STA.	CONTRACT NO. 70789		
	PLOT DATE = 1/10/2018	DATE -	REVISED -			ILLINOIS FED. AID PROJECT					

2

# DRAINAGE

URBAN / RURAL	LOCATION STATION TO STATION	SIDE	PIPE UNDERDRAINS 4"	PIPE UNDERDRAINS 4", (SPECIAL)	PIPE UNDERDRAINS, TYPE 2, 6"	PIPE DRAINS 6"	CONCRETE HEADWALLS FOR PIPE DRAINS	FRENCH DRAINS	GEOTECHNICAL FABRIC FOR FRENCH DRAINS	INLET TYPE A, TYPE 1 FRAME, OPEN LID	DIRECTIONAL BORING	COARSE AGGREGATE	UNDERDRAIN CONNECTION TO STRUCTURE	CLEANING UNDERDRAIN OUTLETS	PIPE UNDERDRAIN REMOVAL	CONCRETE HEADWALL REMOVAL	SHOULDER REMOVAL AND REPLACEMENT
			60107600 FOOT	60108100 FOOT	60108200 FOOT	60100915 FOOT	60100060 EACH	60100080 CU YD	60100085 SQ YD	60234200 EACH	X0325379 FOOT	X0795800 TON	Z0076870 EACH	X0320157 EACH	Z0040530 FOOT	50104400 EACH	60100070 FOOT
RURAL	605+02.23 TO 609+93.55	CL/EB		22	491	65	1			1	65	67.3	2		18	1	6
RURAL	615+01.70 TO 618+46.78	CL/WB		23	345							47.3	1		22	1	6
RURAL	631+01.11 TO 633+01.26	EB/CL		23								27.4	1		18	1	6
RURAL	631+01.11	WB		17	200										22	1	6
RURAL	633+98.35 TO 638+82.94	CL			484							66.4	1				
RURAL	633+98.35	EB		18											18	1	6
RURAL	634+10.17	WB		22											22	1	6
RURAL	636+89.36	WB		22											22	1	6
RURAL	638+82.93	EB				65	1			1	65		1		22	1	6
RURAL	644+08.84	EB/WB		18		70	1			1	70		2		18	1	6
RURAL	648+92.40	EB													18	1	6
RURAL	648+92.40 TO 650+14.37	EB/CL/WB		18	121	68	1			1	68	16.7	2		40	2	12
RURAL	653+97.45 TO 656+92.91	EB/CL			296	65	1			1	65	40.5	2		18	1	6
RURAL	654+15.89	WB		21											22	1	6
RURAL	656+92.91	WB		22											22	1	6
RURAL	665+02.75	WB				75	1			1	75		1		22	1	6
RURAL	669+93.04 TO 674+99.02	CL/WB			505	75	1			1	75	69.3	2		22	1	6
RURAL	669+93.04	EB		18											18	1	6
RURAL	670+01.61	WB		17											22	1	6
RURAL	680+00.85 TO 683+01.58	CL			301							41.2	1				
RURAL	680+00.85	EB		18											18	1	6
RURAL	680+10.27	WB		22											22	1	6
RURAL	685+17.27	WB				81	1			1	81		1		22	1	6
RURAL	698+06.99 TO 699+01.53	CL			93							12.9	1				
RURAL	698+99.76	WB		18											22	1	6
RURAL	699+01.53	EB		22											18	1	6
URBAN	699+66.60 TO 858+71.50	EB												64			
URBAN	699+66.60 TO 858+71.50	WB												64			
URBAN	701+95.54 TO 703+98.98	CL			204							27.9	1				
URBAN	701+95.54	EB		22											18	1	6
URBAN	702+30.96	WB		17											22	1	6
URBAN	704+03.98 TO 705+02.06	CL			98							13.4	1				
URBAN	705+02.06	EB		23											18	1	6
URBAN	758+00.70 TO 760+61.05	CL/WB			259	68	1			1	68	35.7	2		22	1	6
URBAN	758+00.70	EB		22											18	1	6
URBAN	763+99.04 TO 765+51.08	CL			152							20.8	1				
URBAN	763+99.04	WB		19											22	1	6
URBAN	765+08.43	EB		22											18	1	6
URBAN	767+70.06	EB				73	1			1	73		1		18	1	6
URBAN	772+12.37 TO 774+14.37	CL			202							27.7	1				
URBAN	773+94.81	EB		18											18	1	6
URBAN	774+14.37	WB		22											22	1	6
URBAN	778+00.44 TO 780+08.97	CL			209							28.6	1				
URBAN	779+99.21	EB		17											18	1	6
URBAN	780+08.97	WB		23											22	1	6
URBAN	787+86.45 TO 790+99.98	CL			314							42.9	1				
URBAN	787+86.45	EB		17											18	1	6
URBAN	787+86.45	WB		23											22	1	6
URBAN	790+59.48	WB		22											22	1	6
URBAN	790+64.61	EB		18											18	1	6
URBAN	802+74.68 TO 802+79.13	EB/CL/WB		17	4	67	1			1	67	0.6	2		40	2	12
URBAN	811+92.18 TO 812+07.97	EB/CL/WB		17	15	66	1			1	66	2.2	2		40	2	12
URBAN	814+99.65 TO 821+01.20	CL			602							82.4	1				
URBAN	817+95.46	EB		17											18	1	6
URBAN	818+15.26	WB		24											22	1	6
URBAN	821+01.20	EB		16											18	1	6
URBAN	821+01.20	WB		24													
URBAN	823+99.27 TO 829+25.88	CL			527							72.1	1				
URBAN	829+03.57	EB		17											18	1	6
URBAN	829+25.88	WB		23											22	1	6
URBAN	834+08.00	EB				67	1			1	67		1		18	1	6

SCHEDULE CONTINUED ON NEXT SHEET

FILE NAME = ...D578789-sht-schedule.dgn	USER NAME = dennyw	DESIGNED -	REVISED -	<b>STATE OF ILLINOIS DEPARTMENT OF TRANSPORTATION</b>	<b>SCHEDULES</b>	F.A.I. RTE. 74	SECTION 10-GRS-4 & 10-TRS-3	COUNTY CHAMPAIGN	TOTAL SHEETS 109	SHEET NO. 22		
PLOT SCALE = 100.0000' / in.	CHECKED -	REVISED -	SCALE: N.T.S.			SHEET OF SHEETS	STA. TO STA.	ILLINOIS FED. AID PROJECT				
PLOT DATE = 1/10/2018	DATE -	REVISED -										
Default												

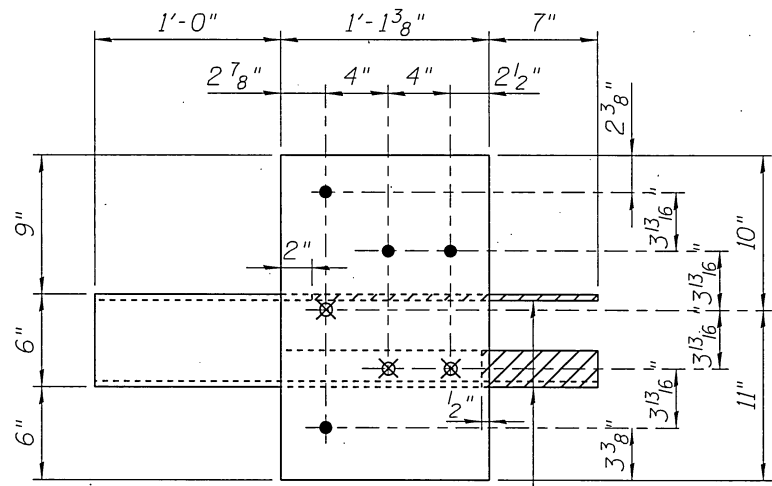
1-11-18

2

# DRAINAGE

URBAN / RURAL	LOCATION STATION TO STATION	SIDE	PIPE UNDERDRAINS 4"	PIPE UNDERDRAINS 4", (SPECIAL)	PIPE UNDERDRAINS, TYPE 2, 6"	PIPE DRAINS 6"	CONCRETE HEADWALLS FOR PIPE DRAINS	FRENCH DRAINS	GEOTECHNICAL FABRIC FOR FRENCH DRAINS	INLET TYPE A, TYPE 1 FRAME, OPEN LID	DIRECTIONAL BORING	COARSE AGGREGATE	UNDERDRAIN CONNECTION TO STRUCTURE	CLEANING UNDERDRAIN OUTLETS	PIPE UNDERDRAIN REMOVAL	CONCRETE HEADWALL REMOVAL	SHOULDER REMOVAL AND REPLACEMENT
			60107600 FOOT	60108100 FOOT	60108206 FOOT	60100915 FOOT	60100060 BACH	60100080 CU YD	60100085 SQ YD	60234200 EACH	X0325379 FOOT	X0795800 TON	Z0076870 EACH	X0320157 EACH	Z0040530 FOOT	50104400 EACH	60100070 FOOT
URBAN	839+02.16 TO 842+18.26	CL/EB		22	317							43.3	1		18	1	6
RURAL	858+71.50 TO 880+00.00	EB												8			
RURAL	858+71.50 TO 880+00.00	WB												8			
RURAL	876+68.75 TO 876+80.33	EB/CL/WB		24	11	78	1			1	78	1.6	2		40	2	12
FULL DEPTH RESURFACING UNDERNEATH STRUCTURES																	
SN 010-0175																	
URBAN	427+69.46 TO 433+69.46	EB	1,200														
URBAN	427+69.46 TO 433+69.46	WB	1,200														
URBAN	429+19.46	LT		15			1	0.2	1.4								
URBAN	429+19.46	RT		15			1	0.2	1.4								
URBAN	432+19.46	LT		15			1	0.2	1.4								
URBAN	432+19.46	RT		15			1	0.2	1.4								
SN 010-0177																	
URBAN	480+83.09 TO 483+83.09	EB	600														
URBAN	480+83.09 TO 483+83.09	WB	600														
RURAL	483+83.09 TO 486+83.09	EB	600														
RURAL	483+83.09 TO 486+83.09	WB	600														
URBAN	482+33.09	LT		15			1	0.2	1.4								
URBAN	482+33.09	RT		15			1	0.2	1.4								
RURAL	485+33.09	LT		15			1	0.2	1.4								
RURAL	485+33.09	RT		15			1	0.2	1.4								
SN 010-0180																	
RURAL	642+81.00 TO 648+81.00	EB	1,200														
RURAL	642+81.00 TO 648+81.00	WB	1,200														
RURAL	644+31.00	LT		15			1	0.2	1.4								
RURAL	644+31.00	RT		15			1	0.2	1.4								
RURAL	647+31.00	LT		15			1	0.2	1.4								
RURAL	647+31.00	RT		15			1	0.2	1.4								
SN 010-0089																	
URBAN	759+26.87 TO 765+26.87	EB	1,200														
URBAN	758+74.23 TO 764+74.23	WB	1,200														
URBAN	764+24.23	LT		15			1	0.2	1.4								
URBAN	760+76.87	RT		15			1	0.2	1.4								
URBAN	763+24.23	LT		15			1	0.2	1.4								
URBAN	763+76.87	RT		15			1	0.2	1.4								
URBAN TOTAL			6,000	709	3,555	567	18	2	14	8	567	487	25	150	654	33	198
RURAL TOTAL			3,600	889	7,023	1,528	28	2	9	22	1,528	963	46	210	1,150	57	342
PROJECT TOTAL			9,600	1,598	10,578	2,095	46	4	23	30	2,095	1,450	71	360	1,804	90	540

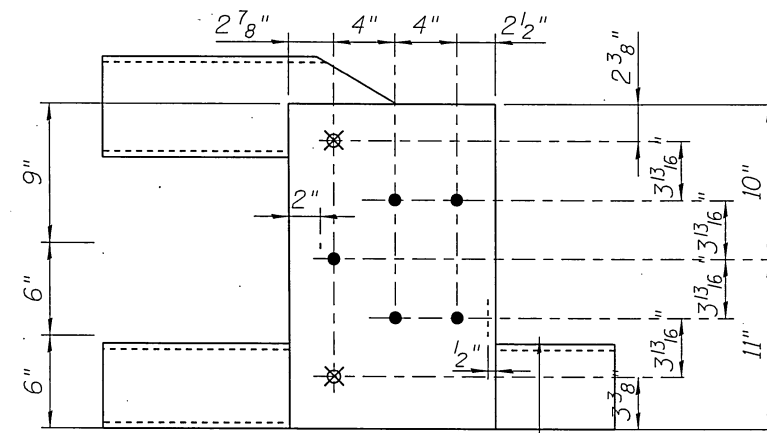
**OPTION 1**



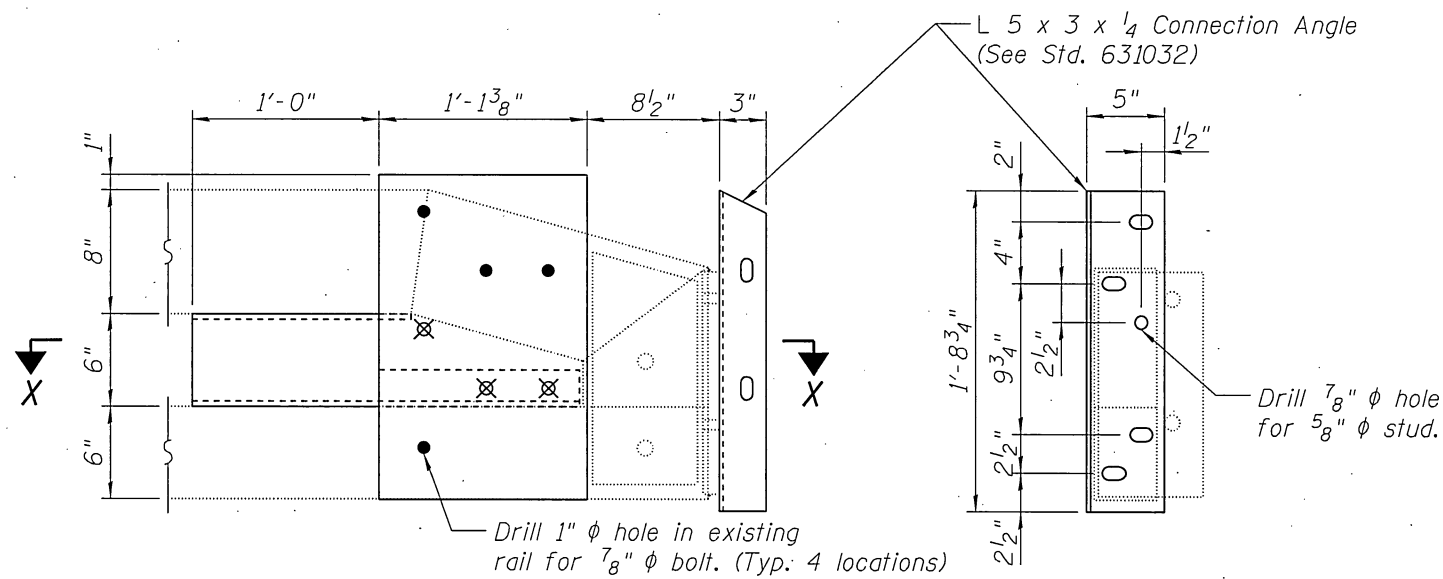
**GUARDRAIL CONNECTION PLATE ASSEMBLY**  
(Modified from Std. 631032)

Hatched portions of 3/8" Plate and L 4 x 4 x 3/8 shall be removed or omitted. If removed after galvanizing, the exposed bare metal shall be coated with an approved zinc rich paint.

**OPTION 2**

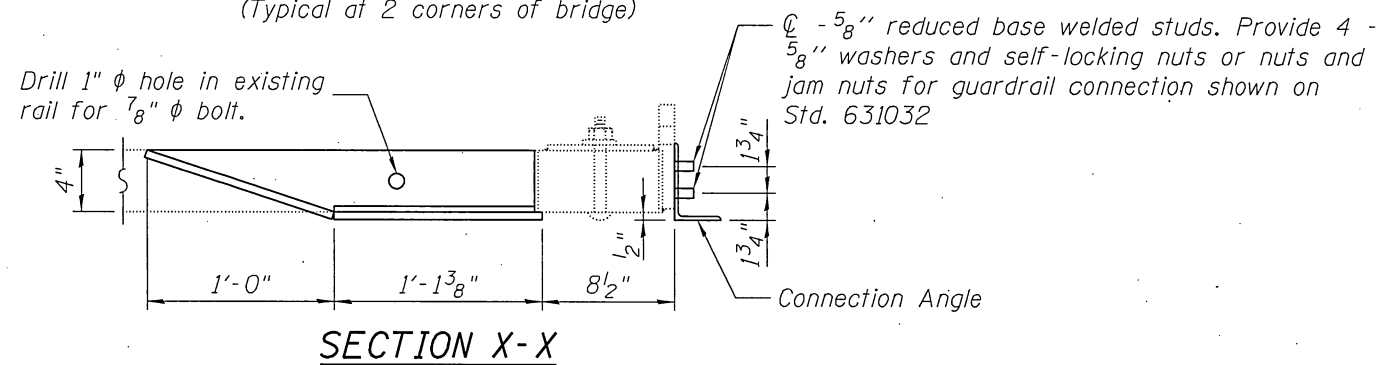


**GUARDRAIL CONNECTION PLATE ASSEMBLY**  
(Modified from Std. 631032)

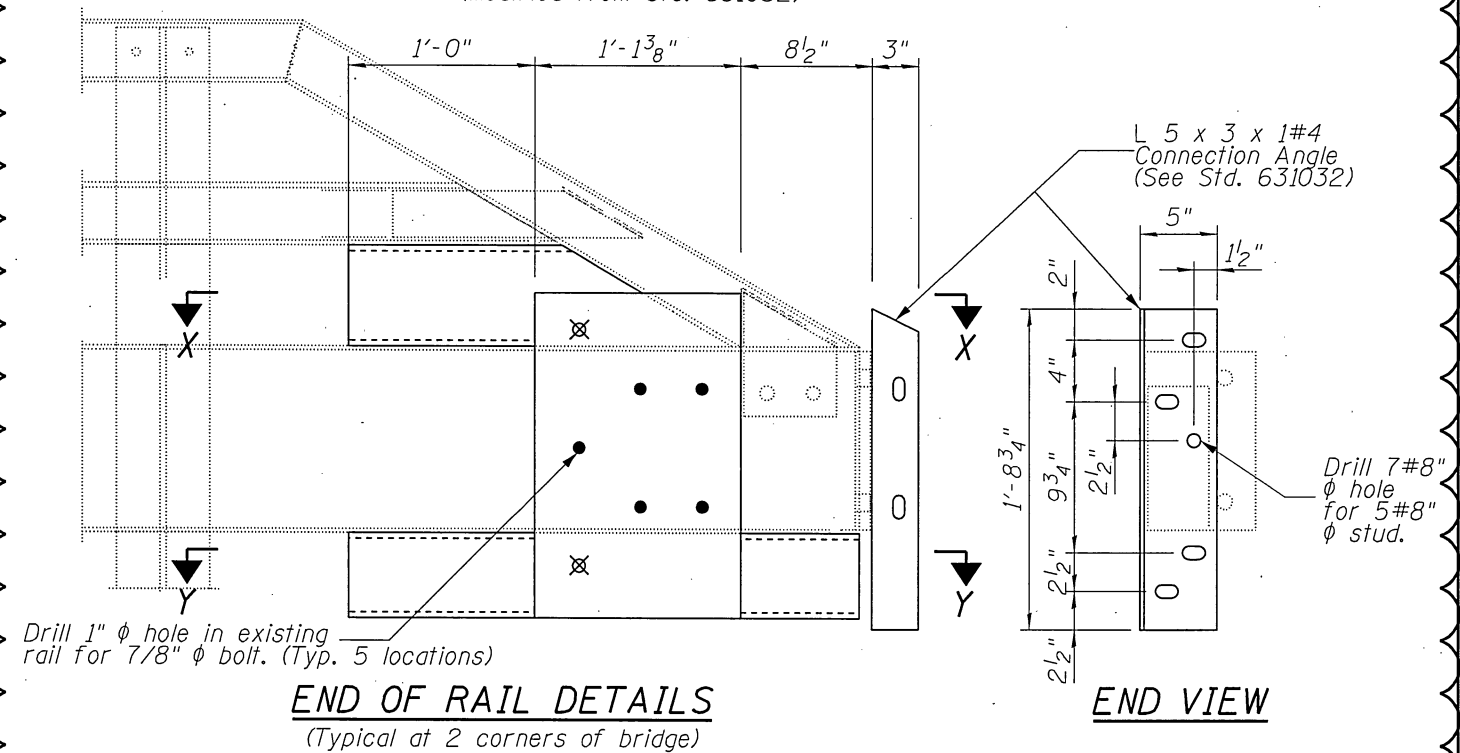


**END OF RAIL DETAILS**  
(Typical at 2 corners of bridge)

**END VIEW**

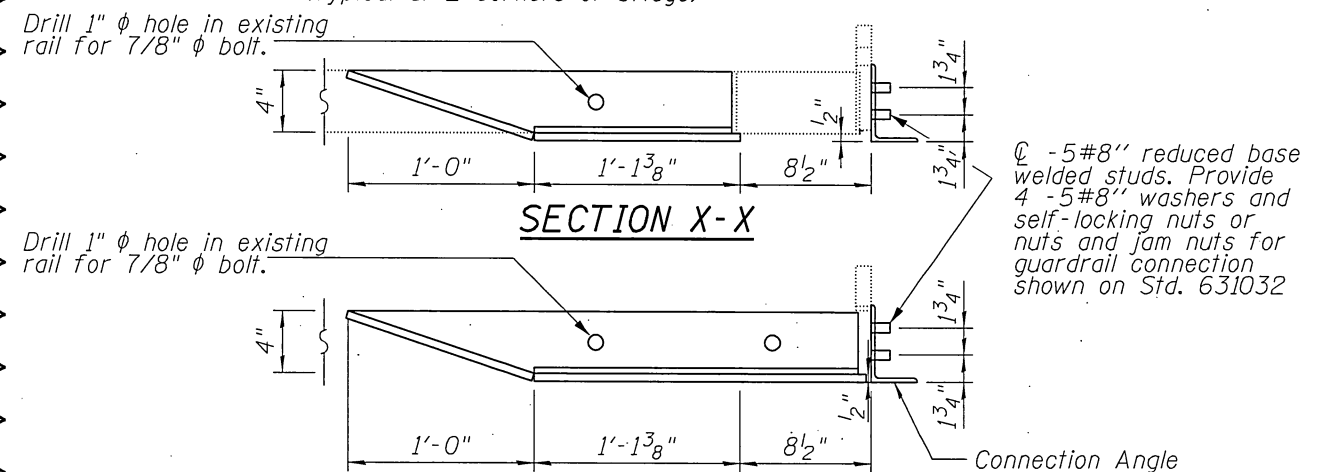


**SECTION X-X**



**END OF RAIL DETAILS**  
(Typical at 2 corners of bridge)

**END VIEW**



**SECTION X-X**

**SECTION Y-Y**

FILE NAME =	USER NAME = goreas	DESIGNED -	REVISED -
PROJECT =	PROJECT =	CHECKED -	REVISED -
DATE =	DATE =	DATE -	REVISED -

**STATE OF ILLINOIS**  
**DEPARTMENT OF TRANSPORTATION**

**TRAFFIC BARRIER TERMINAL TYPE 6A**  
**(MODIFIED) MOUNTING DETAILS**

SCALE: SHEET 1 OF 1 SHEETS STA. TO STA.

P.A. RTE.	SECTION	COUNTY	TOTAL SHEETS	SHEET NO.
74	10-6RS-4 & 10-7RS-3	CHAMPAIGN	109	95
				CONTRACT NO. 70789
ILLINOIS FED. AID PROJECT				

A 1.11.10