

STATE OF ILLINOIS
DEPARTMENT OF TRANSPORTATION

F.A.I. RTE.	SECTION	COUNTY	TOTAL SHEETS	SHEET NO.
90/94	FAI 94 23 DR LITTER	COOK	6	1
		ILLINOIS	CONTRACT NO. 62V05	

FOR INDEX OF SHEETS, SEE SHEET NO. 2

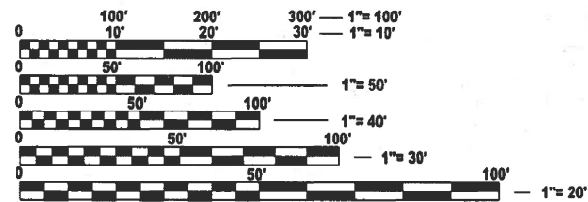
**PROPOSED
HIGHWAY PLANS**

**FAI. ROUTE 90/94 (I-90 / 94 (DAN RYAN))
CONGRESS PKWY TO I-57/ I-94 (BISHOP EXPWY)
SECTION FAI 94 23 DR LITTER
EXPRESSWAY HIGHWAY CLEANING (LITTER/ DEBRIS REMOVAL)
COOK COUNTY**

C-91-191-23



LOCATION MAP - SEE INDEX OF SHEETS



FULL SIZE PLANS HAVE BEEN PREPARED USING STANDARD ENGINEERING SCALES. REDUCED SIZED PLANS WILL NOT CONFORM TO STANDARD SCALES. IN MAKING MEASUREMENTS ON REDUCED PLANS, THE ABOVE SCALES MAY BE USED.

J.U.L.I.E.
JOINT UTILITY LOCATION INFORMATION FOR EXCAVATION
1-800-892-0123
OR 811

PROJECT ENGINEER: RODRIGO LEDEZMA (847) 705-4580
PROJECT MANAGER: J. ALAIN MIDY (847) 221-3056

GROSS LENGTH = 117,216 FT. = 22.2 MILE
NET LENGTH = 117,216 FT. = 22.2 MILE

CONTRACT NO. 62V05

STATE OF ILLINOIS
DEPARTMENT OF TRANSPORTATION

SUBMITTED October 16, 2023
Jose Piro REGIONAL ENGINEER

December 8, 2023
SEA ENGINEER OF DESIGN AND ENVIRONMENT

December 8, 2023
Stephen M. Smith DIRECTOR OF HIGHWAYS PROJECT IMPLEMENTATION

PRINTED BY THE AUTHORITY
OF THE STATE OF ILLINOIS

INDEX OF SHEETS

1. TITLE SHEET
2. INDEX OF SHEETS
APPLICABLE STATE STANDARDS
3. SUMMARY OF QUANTITIES
SCHEDULE OF CLEANING STARTING DATES
4. EXPRESSWAY CLEANING: I-90/94 (DAN RYAN EXPWY)
5. TRAFFIC CONTROL DETAILS FOR FREEWAY SHOULDER CLOSURES
AND PARTIAL RAMP CLOSURES (TC-17)

STATE STANDARDS

- | | |
|-----------|---|
| 701106-02 | OFF-ROAD OPERATION MULTILANE, MORE THAN 15' AWAY |
| 701426-09 | LANE CLOSURE, MULTILANE, INTERMITTENT OR MOVING OPER., FOR SPEEDS \geq 45 MPH |
| 701901-09 | TRAFFIC CONTROL DEVICES |

MODEL: gennotes-index [Sheet]
 FILE NAME: c:\p\work\pwr\ledezma\m\028120\ID13723-sht-gennote.dgn

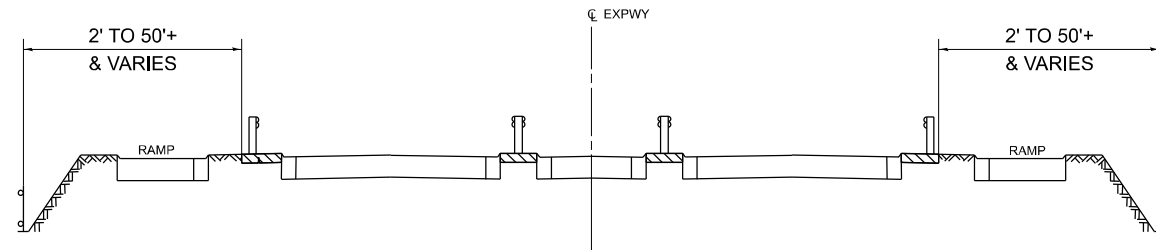
USER NAME = rodrigo.ledezma	DESIGNED -	REVISED -
	DRAWN -	REVISED -
PLOT SCALE = 0.16666633' / in.	CHECKED -	REVISED -
PLOT DATE = 10/12/2023	DATE -	REVISED -

**STATE OF ILLINOIS
DEPARTMENT OF TRANSPORTATION**

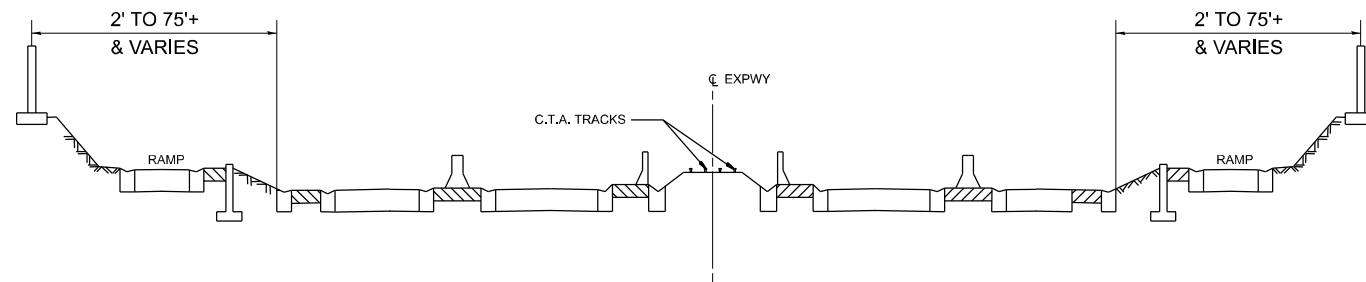
INDEX OF SHEETS AND STATE STANDARDS

SCALE: Full Size 1 = 1 SHEET OF 1 SHEETS STA. TO STA.

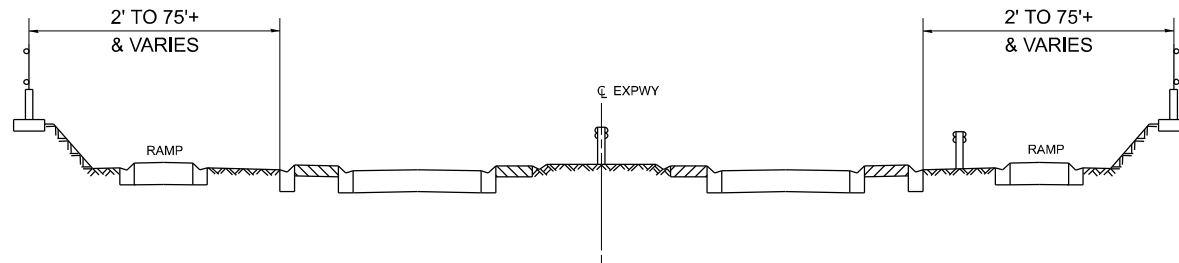
F.A.I. RTE.	SECTION	COUNTY	TOTAL SHEETS	SHEET NO.
90/94	FAI 94 23 DR LITTER	COOK	5	2
CONTRACT NO. 62V05				
ILLINOIS FED. AID PROJECT				



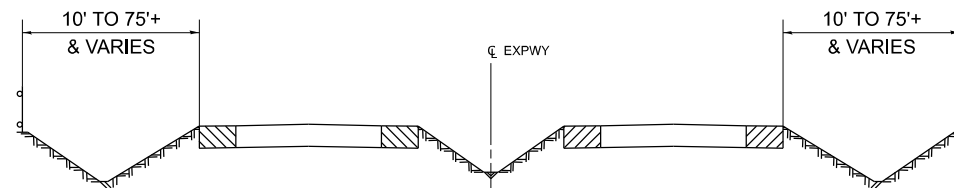
TYPICAL EXPRESSWAY CROSS-SECTION NO. 1



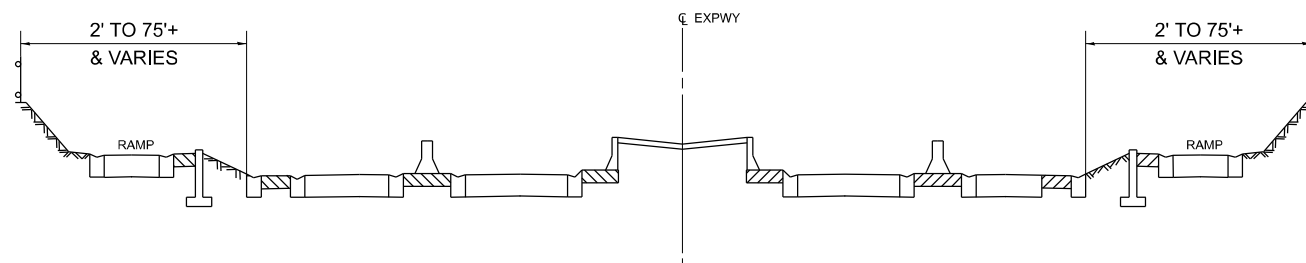
TYPICAL EXPRESSWAY CROSS-SECTION NO. 2



TYPICAL EXPRESSWAY CROSS-SECTION NO. 3



TYPICAL EXPRESSWAY CROSS-SECTION NO. 4



TYPICAL EXPRESSWAY CROSS-SECTION NO. 5

NOTES:

1. SCHEDULE MAY VARY AS DIRECTED BY THE ENGINEER.
3. NO WORK WILL BE ALLOWED DURING ANY LEGAL HOLIDAY PERIOD.
4. ALL SCHEDULES OF ANTICIPATED STARTING DATES SHOWN ARE TENTATIVE AS DETERMINED BY THE DEPARTMENT'S OPERATIONAL NEEDS.
5. NO DAILY CONTRACTOR WORK REQUESTS/ SCHEDULING SHALL BE AUTHORIZED OR APPROVED TO START WHEN IT IS DETERMINED BY THE ENGINEER THAT WEATHER CONDITIONS WILL BE UNFAVORABLE. APPROVAL OF ALL DAILY CONTRACTOR WORK SCHEDULE REQUEST SHALL BE SOLELY DETERMINED BY THE ENGINEER AND OR PROJECT SUPERVISOR.
6. ALL SHOULDER CLOSURES SHALL BE IMMEDIATELY REMOVED DURING ALL ADVERSE WEATHER CONDITIONS **WITHOUT EXCEPTION**, INCLUDING BUT NOT LIMITED TO RAIN, WET ROAD SURFACE (SPRAY FROM TIRES), MIST, DRIZZLE, SLEET, SNOW, FOG AND ANY OTHER CIRCUMSTANCE DETERMINED UNSAFE BY THE ENGINEER. **THE CONTRACTOR SHALL IMPLEMENT THIS CONTRACT REQUIREMENT IMMEDIATELY WITHOUT WAITING FOR DEPARTMENT INSTRUCTIONS.**
8. **NO** WORK WILL BE ALLOWED ON THE FOLLOWING DATES UNLESS IT IS CONSIDERED AN EMERGENCY, IMMEDIATE HAZARD OR ANY WORK AS DESIGNATED BY THE DEPARTMENT THAT REQUIRES FIRST PRIORITY CORRECTIVE ACTION:

- EASTER HOLIDAY
- MEMORIAL DAY HOLIDAY
- INDEPENDENCE DAY HOLIDAY
- LABOR DAY HOLIDAY
- THANKSGIVING HOLIDAY
- CHRISTMAS EVE / NEW YEARS HOLIDAY

SUMMARY OF QUANTITIES

CODE NO.	ITEM	UNIT	URBAN	100 % STATE
			TOTAL QUANTITIES	EXPRESSWAY
X0326643	LITTER PICKING	MILE	495.3	495.3

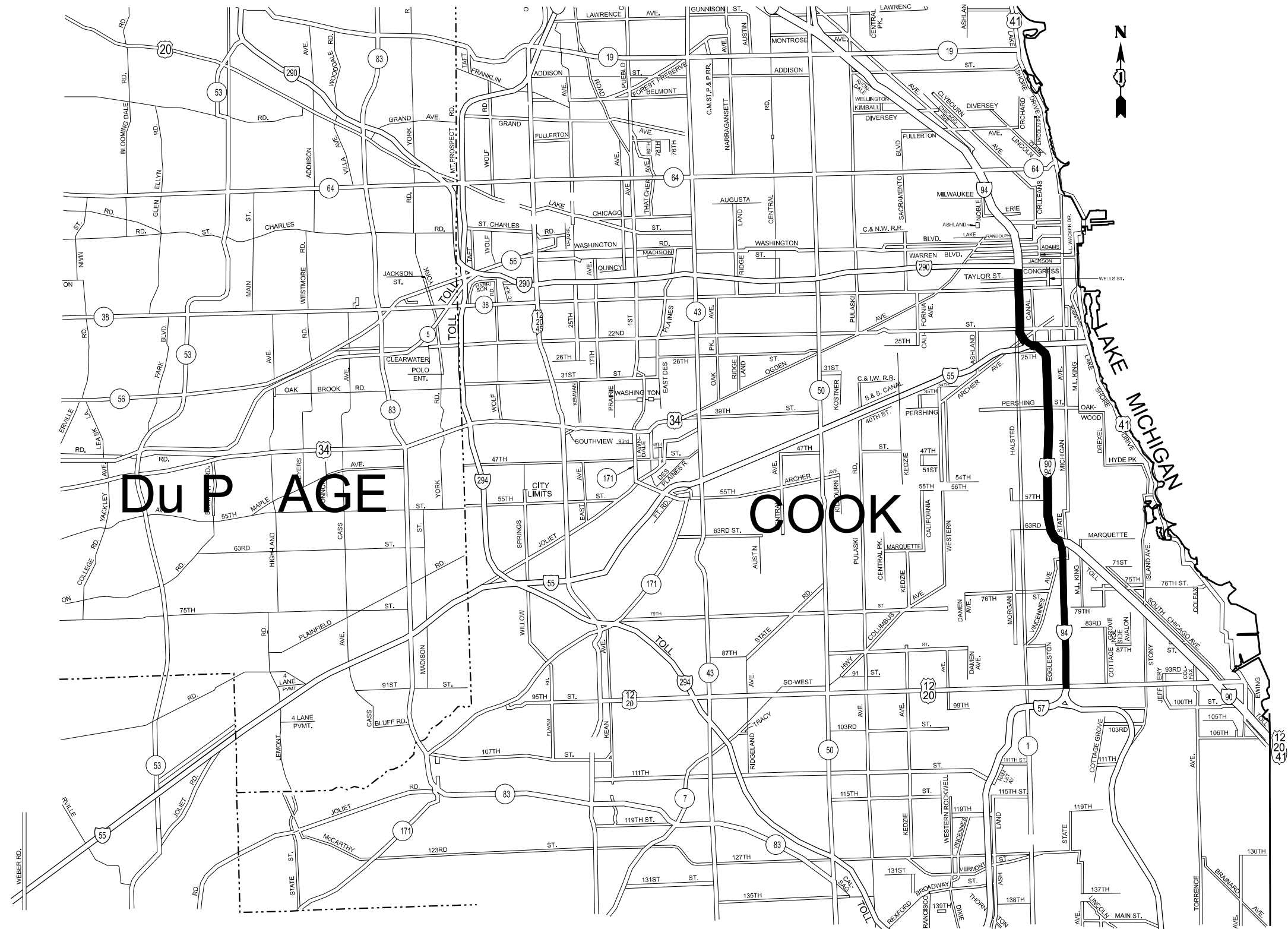
MODEL: Typical (Sheet)
FILE NAME: c:\p\work\project\ledezma\m028120\113723-sh-typical.dgn

USER NAME = rodrigo.ledezma	DESIGNED -	REVISED -
PLOT SCALE = 0.16666833' / in.	DRAWN -	REVISED -
PLOT DATE = 10/12/2023	CHECKED -	REVISED -
	DATE -	REVISED -

**STATE OF ILLINOIS
DEPARTMENT OF TRANSPORTATION**

SUMMARY OF QUANTITIES SCHEDULE OF STARTING DATES			
SCALE: 1"=50'	SHEET	OF 1 SHEETS	STA. TO STA.

F.A.I. RTE.	SECTION	COUNTY	TOTAL SHEETS	SHEET NO.
90/94	FAI 94 23 DR LITTER	COOK	5	3
			CONTRACT NO. 62V05	
ILLINOIS FED. AID PROJECT				



MODEL: maps (Sheet)
 FILE NAME: c:\p\work\wv\cook\ledezma\m\0928120\13723-sh-detailed.dgn

USER NAME = rodrigo.ledezma	DESIGNED -	REVISED -
	DRAWN -	REVISED -
PLOT SCALE = 0.16666833' / in.	CHECKED -	REVISED -
PLOT DATE = 10/12/2023	DATE -	REVISED -

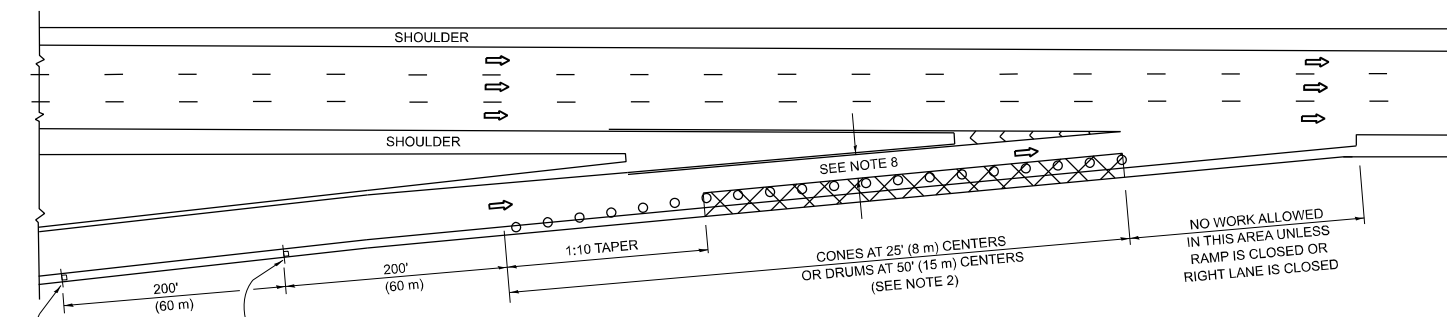
**STATE OF ILLINOIS
 DEPARTMENT OF TRANSPORTATION**

**EXPRESSWAY CLEANING LOCATION MAP
 EISENHOWER, STEVENSON, DAN RYAN & I-55**

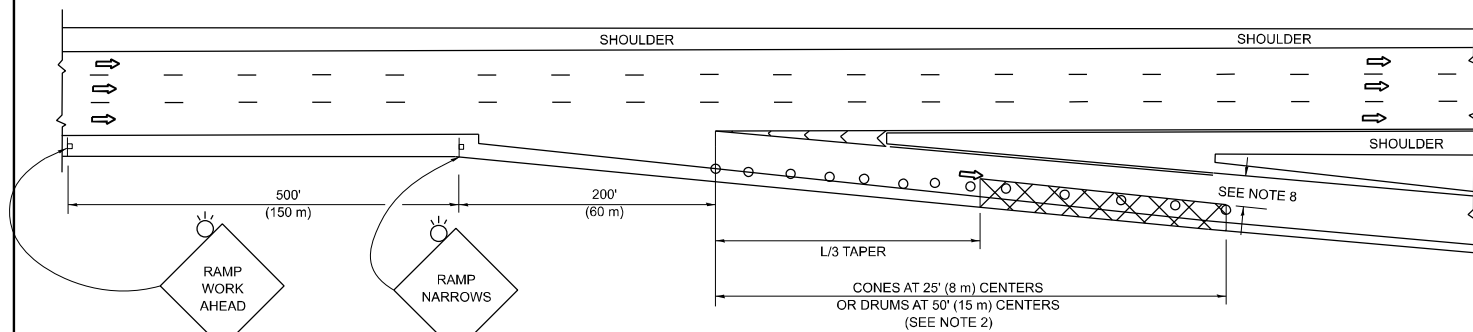
SCALE: 1"=50' SHEET OF 1 SHEETS STA. TO STA.

F.A.I. RTE.	SECTION	COUNTY	TOTAL SHEETS	SHEET NO.
90/94	FAI 94 23 DR LITTER	COOK	5	4
CONTRACT NO. 62V05				
ILLINOIS FED. AID PROJECT				

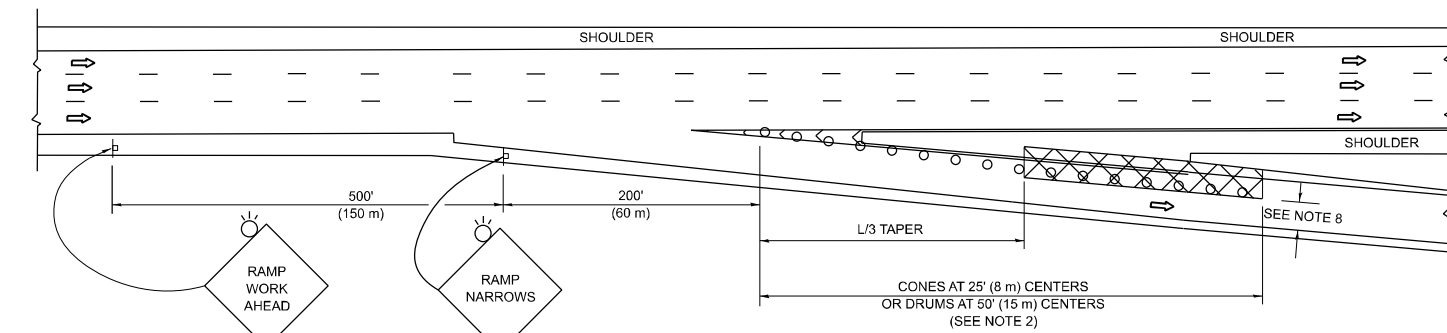
PARTIAL RAMP CLOSURE DETAILS



TYPICAL ENTRANCE RAMP



TYPICAL EXIT RAMP



TYPICAL EXIT RAMP

SYMBOLS

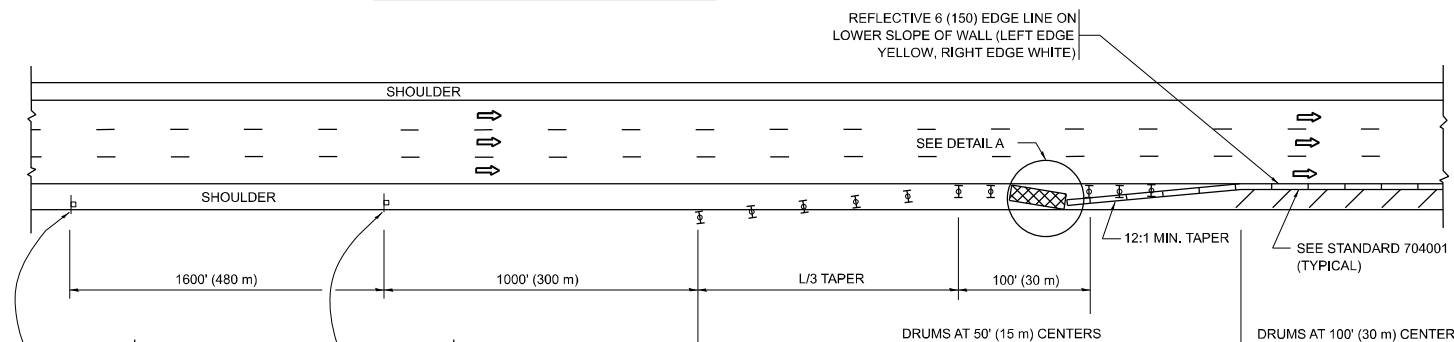
- ACTIVE WORK AREA
- SIGN ON PORTABLE OR PERMANENT SUPPORT
- FLAGGER WITH CONTROL SIGN
- TYPE II BARRICADE OR DRUM
- CONE, DRUM OR BARRICADE
- IMPACT ATTENUATOR OF TYPE AND TEST LEVEL SPECIFIED

GENERAL NOTES:

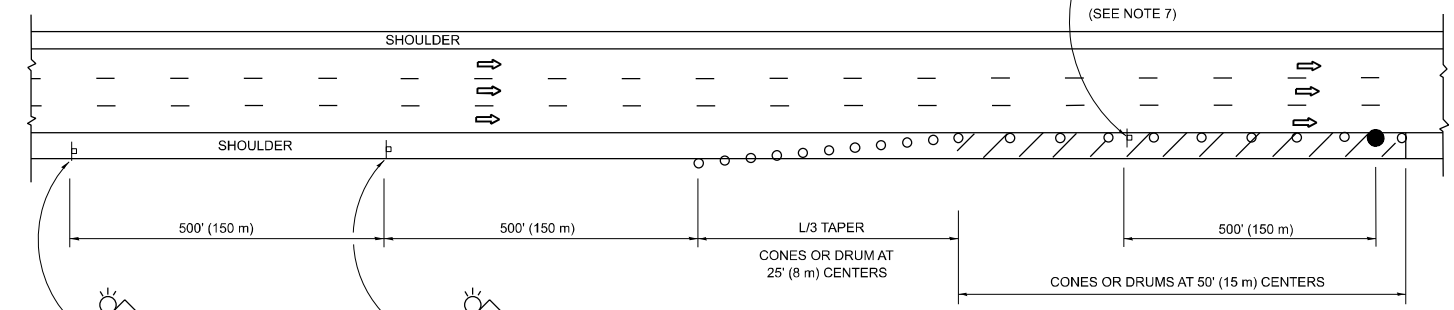
1. THE "L" DISTANCE EQUALS:

<u>SPEED LIMIT</u>	<u>FORMULAS</u>
45 mph (80 km/h) OR GREATER:	METRIC ENGLISH L=0.65(W)(S) L=(W)(S)
W = WIDTH OF OFFSET IN FEET (METERS)	
S = NORMAL POSTED SPEED MPH (KM/H)	
2. TYPE II BARRICADES OR DRUMS ARE REQUIRED FOR ALL NIGHTTIME CLOSURES. TYPE II BARRICADES OR DRUMS WITH MONODIRECTIONAL STEADY BURN LIGHTS ARE REQUIRED FOR DELINEATING OBSTACLES, EXCAVATIONS, OR HAZARDS EXCEEDING 100 FT (30m) IN LENGTH AT NIGHT.
3. ALL SIGNS SHALL BE POST MOUNTED IF THE CLOSURE TIME EXCEEDS FOUR DAYS.
4. FLASHING LIGHTS SHALL BE USED DURING THE HOURS OF DARKNESS AND SHALL BE INSTALLED ABOVE THE FIRST TWO SETS OF SIGNS.

SHOULDER CLOSURE DETAILS

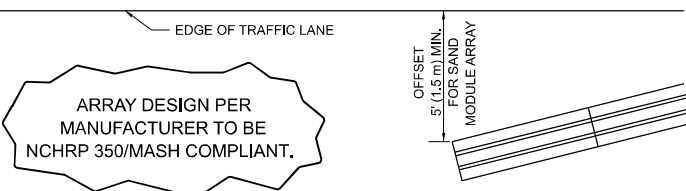


PERMANENT SHOULDER CLOSURE



TEMPORARY SHOULDER CLOSURE

- THIS DETAIL IS USED WHERE:
1. VEHICLES, EQUIPMENT, WORKERS OR THEIR ACTIVITIES ENCR OACH IN AN AREA CLOSER THAN 15' (4.5 m) TO THE EDGE OF PAVEMENT FOR A PERIOD IN EXCESS OF 15 MINUTES.



**DETAIL "A"
IMPACT ATTENUATOR, TEMPORARY
(SEE NOTE 5)**

5. THE IMPACT ATTENUATOR, TEMPORARY IS NOT REQUIRED WHEN THE TEMPORARY CONCRETE BARRIER WALL IS PROTECTED BY OR IS TIED INTO THE EXISTING GUARDRAIL. IF OFFSET IS LESS THAN 5 FEET USE NARROW USE TYPE DEVICE TO MEET NCHRP350/MASH.
6. AUTHORIZATION FROM THE DISTRICT'S BUREAU OF TRAFFIC IS REQUIRED FOR ALL FREEWAY CLOSURES.
7. THE FLAGGER AND FLAGGER SIGN ARE REQUIRED AT THE ABOVE WORK SITES WHEN:
 - a. FOUR OR MORE WORK VEHICLES ENTER THE TRAFFIC LANES IN A ONE HOUR PERIOD.
 - b. THE WORK ACTIVITY REQUIRES FREQUENT ENCR OACHMENT INTO THE LANE OPEN TO TRAFFIC.
 THE FLAGGER SHALL BE STATIONED APPROXIMATELY 100' (30 m) TO 200' (60 m) IN ADVANCE OF THE WORKERS.
8. 12' MIN. WIDTH TANGENT SECTION
16' MIN. WIDTH CURVE SECTION.
9. TEMPORARY SHOULDER AND NON-SYSTEM INTERCHANGE PARTIAL RAMP CLOSURES ARE ALLOWED WEEKDAYS BETWEEN 9:00 A.M. AND 3:00 P.M. AND BETWEEN 7:00 P.M. AND 5:00 A.M. OR AS APPROVED BY THE EXPRESSWAY TRAFFIC OPERATIONS ENGINEER. PERMANENT SHOULDER AND PARTIAL RAMP CLOSURES WILL ONLY BE PERMITTED IF CALLED FOR IN THE PLANS OR AS APPROVED BY THE EXPRESSWAY OPERATIONS ENGINEER.

ALL DIMENSIONS ARE IN INCHES (MILLIMETERS) UNLESS OTHERWISE SHOWN.

MODEL: TC-17 (Sheet)
FILE NAME: c:\p\work\wv\wv\ledezma\m\028120\113723-shl-DistStatus.dgn

USER NAME = rodrigo.ledezma	DESIGNED -	REVISED - S.P.B. 12-09
	DRAWN - D.W.S.	REVISED - M.D. 06-13
PLOT SCALE = 0.16666833 / in.	CHECKED -	REVISED - M.D. 01-18
PLOT DATE = 10/12/2023	DATE - 11-96	REVISED - M.D. 10-20

**STATE OF ILLINOIS
DEPARTMENT OF TRANSPORTATION**

**TRAFFIC CONTROL DETAILS FOR FREEWAY
SHOULDER CLOSURES AND PARTIAL RAMP CLOSURES**

SCALE: NONE SHEET 1 OF 1 SHEETS STA. TO STA.

F.A.I. RTE.	SECTION	COUNTY	TOTAL SHEETS	SHEET NO.
90/94	FAI 94 23 DR LITTER	COOK	5	5
TC-17			CONTRACT NO. 62V05	
ILLINOIS FED. AID PROJECT				