

F.A.P. RTE.	SECTION	COUNTY	TOTAL SHEETS	SHEET NO.
103	28-1HDF-1	ST. CLAIR	6	1

STATE OF ILLINOIS  
DEPARTMENT OF TRANSPORTATION

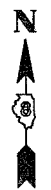
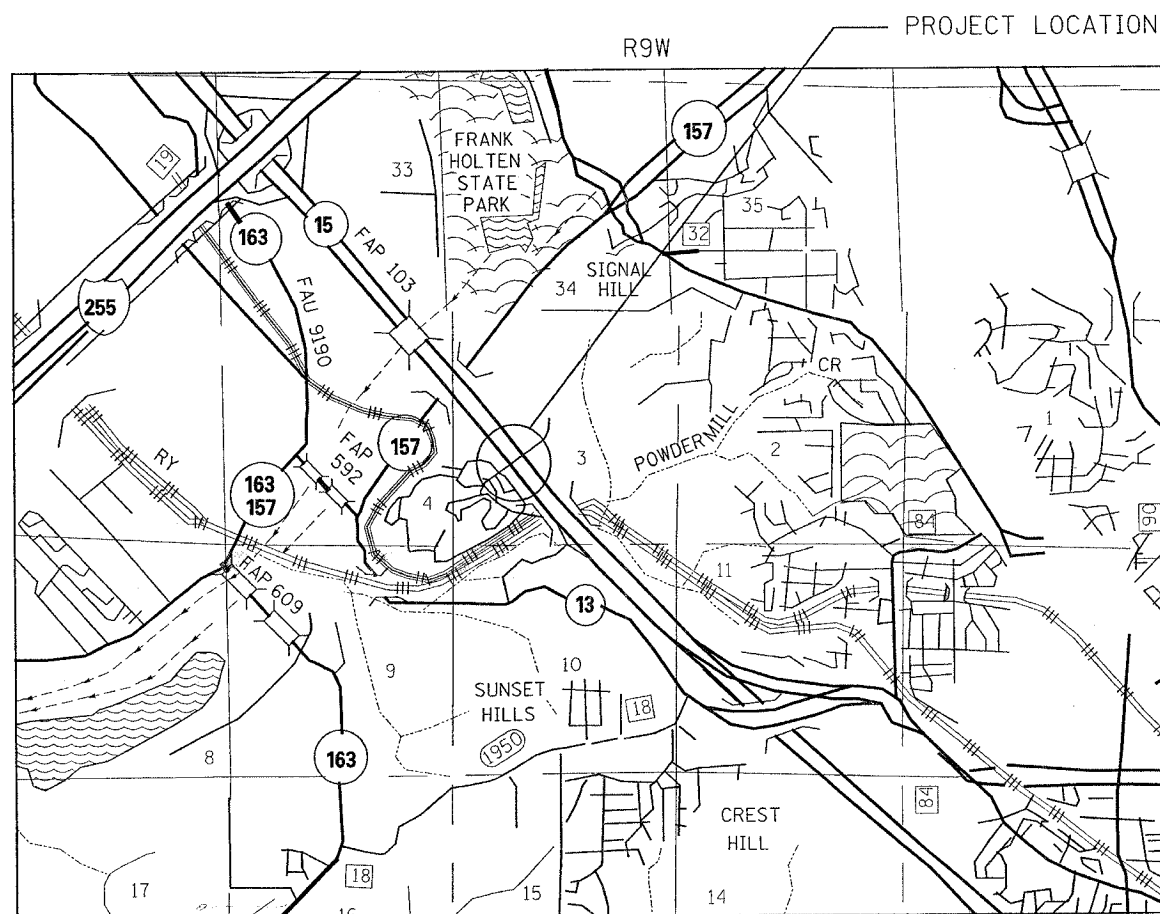
DIVISION OF HIGHWAYS

**PROPOSED  
HIGHWAY PLANS**

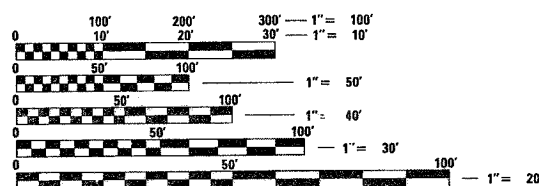
FAP ROUTE 103 (IL ROUTE 15)  
SECTION 28-1HDF-1  
~~PROJECT~~  
ST. CLAIR COUNTY

C-98-007-06

FOR INDEX OF SHEETS, SEE SHEET NO. 2



MICROFILMED \_\_\_\_\_  
REEL NUMBER \_\_\_\_\_  
AWARDED \_\_\_\_\_  
RESIDENT ENGINEER \_\_\_\_\_  
AS BUILT CHANGES WERE MADE  
ON THE FOLLOWING SHEETS



FULL SIZE PLANS HAVE BEEN PREPARED USING STANDARD ENGINEERING SCALES. REDUCED SIZED PLANS WILL NOT CONFORM TO STANDARD SCALES. IN MAKING MEASUREMENTS ON REDUCED PLANS, THE ABOVE SCALES MAY BE USED.

J.U.L.I.E.  
JOINT UTILITY LOCATION INFORMATION FOR EXCAVATION  
1-800-892-0123

CONTRACT NO. 76978

LATITUDE: 38.56176  
LONGITUDE: -90.08496

NOT TO SCALE  
ADT 33,800 (2006)  
SU=3.7%  
MU=3.6%

GROSS LENGTH: 50 FT= 0.01 MILE  
NET LENGTH: 50 FT=0.01 MILE

STATE OF ILLINOIS  
DEPARTMENT OF TRANSPORTATION  
DIVISION OF HIGHWAYS

SUBMITTED Oct 20 20 05  
Mike L. Harms  
DEPUTY DIRECTOR OF HIGHWAYS  
REGION FIVE ENGINEER

December 9, 2005  
Mike Harms  
ENGINEER OF DESIGN AND ENVIRONMENT

December 9, 20 05  
Eric Harms  
DEPUTY DIRECTOR, DIVISION OF HIGHWAYS

**PRINTED BY THE AUTHORITY  
OF THE STATE OF ILLINOIS**

PROJECT ENGINEER: WENDA SOUTHERLAND (618) 346-3159  
SQUAD LEADER: GREG HANCOCK (618) 346-3195

F.A.P. RTE.	SECTION	COUNTY	TOTAL SHEETS	SHEET NO.
103	28-1HDF-1	ST. CLAIR	6	2
STA.		TO STA.		
FED. ROAD DIST. NO.		ILLINOIS	FED. AID PROJECT	

INDEX OF SHEETS

- 1 COVER SHEET
- 2 INDEX OF SHEETS, GENERAL NOTES, AND HIGHWAY STANDARDS
- 3 SUMMARY OF QUANTITIES
- 4 TYPICAL SECTIONS
- 5 PLAN VIEWS AND DETAILS
- 6 IMPACT ATTENUATORS (PRD), TL3

STANDARDS

- 001006
- 630001-05
- 701421-01
- 701701-04
- 702001-05
- 720001
- 720006

GENERAL NOTES

- 1 THE STANDARDS AND REVISION NUMBERS LISTED SHALL APPLY TO THIS PROJECT.
- 2 ILLINOIS STATE LAW REQUIRES A 48-HOUR NOTICE BE GIVEN TO ALL UTILITIES BEFORE DIGGING. FIELD MARKING OF FACILITIES MAY BE OBTAINED BY CONTACTING J.U.L.I.E. OR FOR NON-J.U.L.I.E. THE UTILITY COMPANY DIRECTLY. AGENCIES KNOWN TO HAVE FACILITIES WITHIN THE PROJECT AREA ARE AS FOLLOWS.
  - AMERENIP (GAS AND ELECTRIC)
  - CENTERPOINT ENERGY (GAS TRANSMISSION)
  - CHARTER COMMUNICATIONS (CABLE TV)
  - ILLINOIS AMERICAN WATER CO. (WATER)
  - MCI NETWORK SERVICES, INC. (COMMUNICATIONS)
  - NETWORKS, 360 (COMMUNICATIONS)
  - SBC (COMMUNICATIONS)

(MEMBERS OF J.U.L.I.E. (800) 892 0123 ARE INDICATED BY \*. NON-J.U.L.I.E. MEMBERS MUST BE NOTIFIED INDIVIDUALLY.
- 3 WHERE SECTION OR SUB-SECTION MONUMENTS ARE ENCOUNTERED, THE ENGINEER SHALL BE NOTIFIED BEFORE SUCH MONUMENTS ARE REMOVED. THE CONTRACTOR SHALL PROTECT AND CAREFULLY PRESERVE ALL PROPERTY MARKERS AND MONUMENTS UNTIL THE OWNER, AN AUTHORIZED SURVEYOR, OR AGENT HAS WITNESSED OR OTHERWISE REFERENCED THE LOCATION.
- 4 THE CONTRACTOR SHALL VERIFY ALL DIMENSIONS AND CONDITIONS IN THE FIELD PRIOR TO CONSTRUCTION AND ORDERING OF MATERIALS.
- 5 NO SURVEY WAS PERFORMED FOR THIS PROJECT. THE STATIONING AND TOPOGRAPHY SHOWN IS FOR FRAME OF REFERENCE AND DISTANCE PURPOSES ONLY.
- 6 "ROAD CONSTRUCTION AHEAD" SIGNS SHALL BE PLACED AT THE BEGINNING AND END OF THE PROJECT PLUS THE INTERSECTING SIDE ROADS, AND WILL BE CONSIDERED INCLUDED IN THE TRAFFIC CONTROL PAY ITEMS. ALL CONSTRUCTION SIGNS SHALL BE FLUORESCENT ORANGE.
- 7 NO OVERNIGHT LANE CLOSURES SHALL BE ALLOWED.
- 8 FLAGMEN SHALL BE PRESENT DURING ALL CLOSURE HOURS INCLUDING LUNCH HOUR AND NO ADDITIONAL COMPENSATION SHALL BE ALLOWED.
- 9 DURING CONSTRUCTION OPERATION, CARE SHALL BE TAKEN NOT TO DAMAGE THE EXISTING SIGN PANEL ASSEMBLY. IF REMOVAL AND REINSTALLATION IS NEEDED, THE COST WILL BE INCLUDED IN THE IMPACT ATTENUATOR PAY ITEMS.
- 10 THE IMPACT ATTENUATOR INSTALLED SHALL HAVE AN EFFECTIVE WIDTH OF 2 FEET AND A MAXIMUM WIDTH (OUT TO OUT) OF 2 FEET- 7 INCHES. THE IMPACT ATTENUATOR SHALL BE APPROVED BY THE DEPARTMENT BEFORE ORDERING OF MATERIALS AND INSTALLATION.
- 11 IF THE MEDIAN SURFACE IS DAMAGED DURING CONSTRUCTION OPERATIONS AND NEEDS REPLACEMENT, THE COST SHALL BE INCLUDED IN THE IMPACT ATTENUATOR PAY ITEMS.

COMMITMENTS:

NONE

REVISIONS	
NAME	DATE

ILLINOIS DEPARTMENT OF TRANSPORTATION  
INDEX OF SHEETS, GENERAL NOTES  
AND HIGHWAY STANDARDS

FAP ROUTE 103 (IL 15)  
SECTION 28-1HDF-1  
ST. CLAIR COUNTY

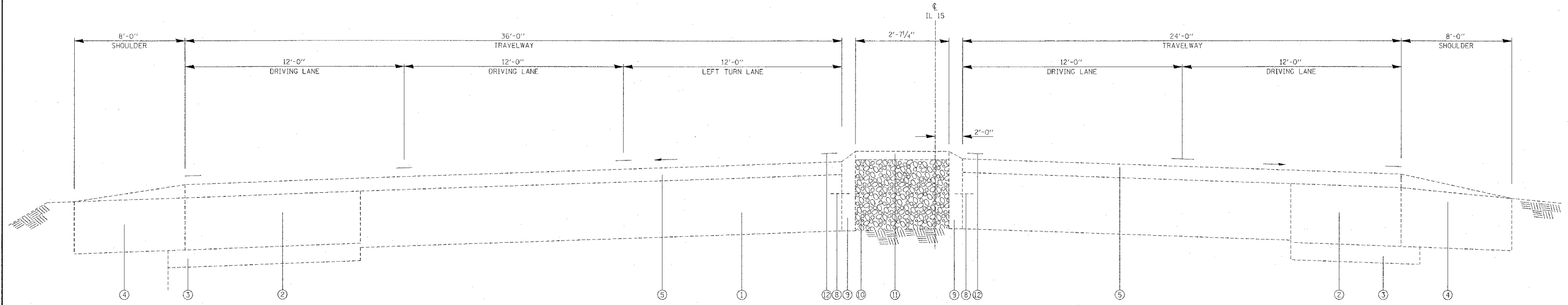
# SUMMARY OF QUANTITIES

F.A.P. RITE	SECTION	COUNTY	TOTAL SHEETS	SHEET NO.
103	28-IHDF-1	ST. CLAIR	6	3
STA.	TO STA.			
FED. ROAD DIST. NO.	ILLINOIS	FED. AID PROJECT		

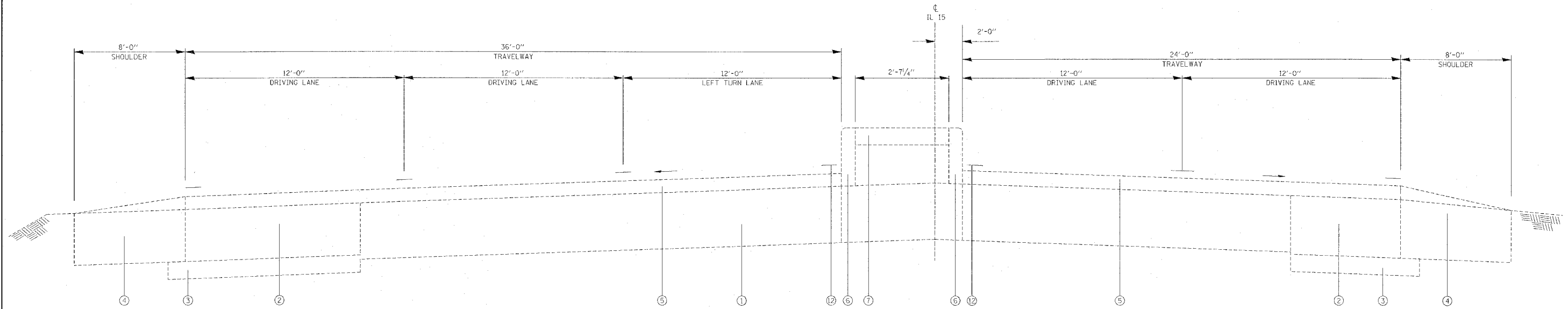
SUMMARY OF QUANTITIES			TOTAL QUANTITIES	CONSTRUCTION TYPE CODE		
CODE NO	ITEM	UNIT		100% MCHD SFTY-3N URBAN		
63000000	STEEL PLATE BEAM GUARD RAIL, TYPE A	FOOT	18.75	18.75		
63200310	GUARDRAIL REMOVAL	FOOT	18.75	18.75		
67100100	MOBILIZATION	L SUM	1	1		
70100310	TRAFFIC CONTROL AND PROTECTION, STANDARD 701421	L SUM	1	1		
70102635	TRAFFIC CONTROL AND PROTECTION, STANDARD 701701	L SUM	1	1		
80300100	LOCATING UNDERGROUND CABLE	FOOT	50	50		
Z0029999	IMPACT ATTENUATOR REMOVAL	EACH	1	1		
Z0030130	IMPACT ATTENUATORS (PARTIALLY REDIRECTIVE), TEST LEVEL 3	EACH	1	1		

SUMMARY OF QUANTITIES			TOTAL QUANTITIES	CONSTRUCTION TYPE CODE		
CODE NO	ITEM	UNIT				

F.A.P. RTE.	SECTION	COUNTY	TOTAL SHEETS	SHEET NO.
103	28-1HDF-1	ST. CLAIR	6	4
STA.		TO STA.		
FED. ROAD DIST. NO.	ILLINOIS	FED. AID PROJECT		

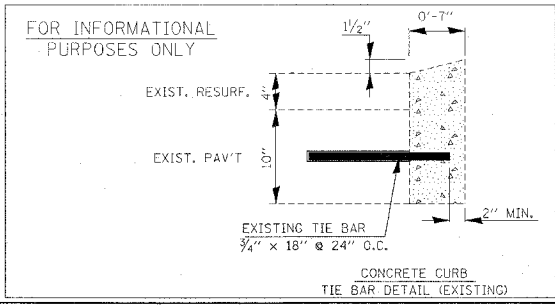


EXISTING TYPICAL SECTION  
CONCRETE CURB, DEPRESSED



EXISTING TYPICAL SECTION  
CONCRETE CURB

- LEGEND
- ① EXISTING PCC PAVEMENT 10"
  - ② EXISTING PCC BASE COURSE OR BASE COURSE WIDENING 9"
  - ③ EXISTING SUBBASE GRANULAR MATERIAL TYPE A 4"
  - ④ EXISTING STABILIZED SHOULDER
  - ⑤ EXISTING BITUMINOUS CONCRETE SURFACE COURSE 4"
  - ⑥ EXISTING CONCRETE CURB
  - ⑦ EXISTING PCC MEDIAN SURFACE 4"
  - ⑧ EXISTING TIE BARS 3/4"
  - ⑨ EXISTING CONCRETE CURB, DEPRESSED
  - ⑩ EXISTING COURSE AGGREGATE
  - ⑪ EXISTING BITUMINOUS SURFACING 2"
  - ⑫ EXISTING PAINT PAVEMENT MARKING 4"



REVISIONS	
NAME	DATE

ILLINOIS DEPARTMENT OF TRANSPORTATION

**TYPICAL SECTIONS**

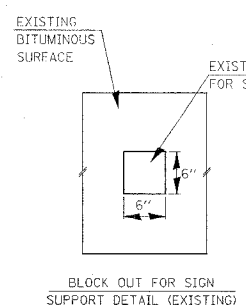
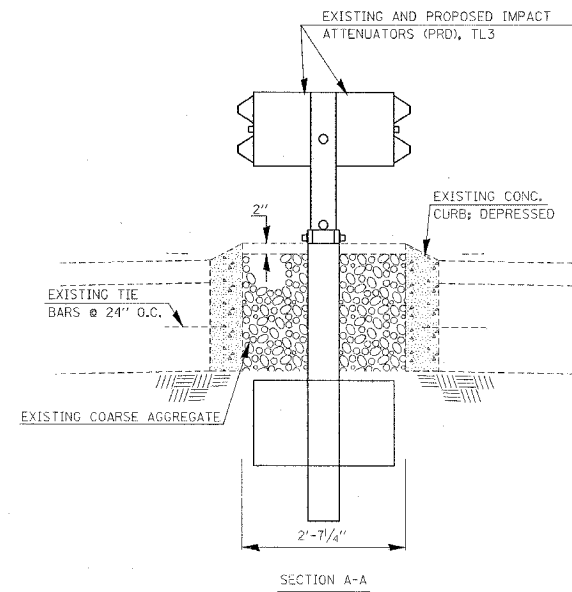
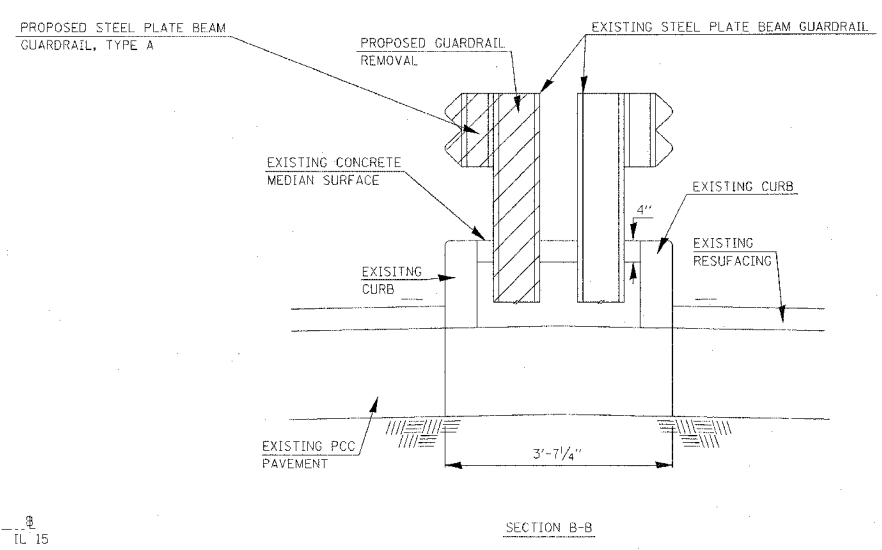
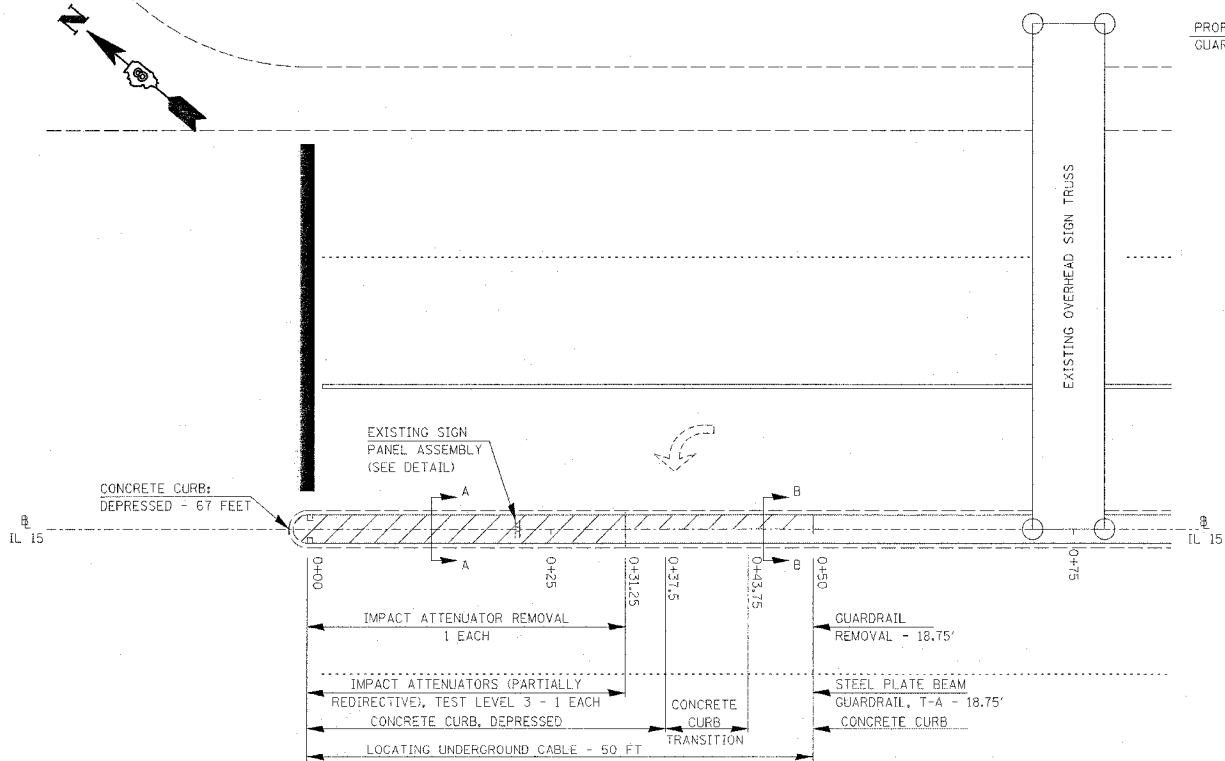
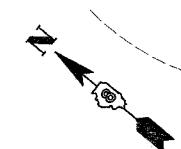
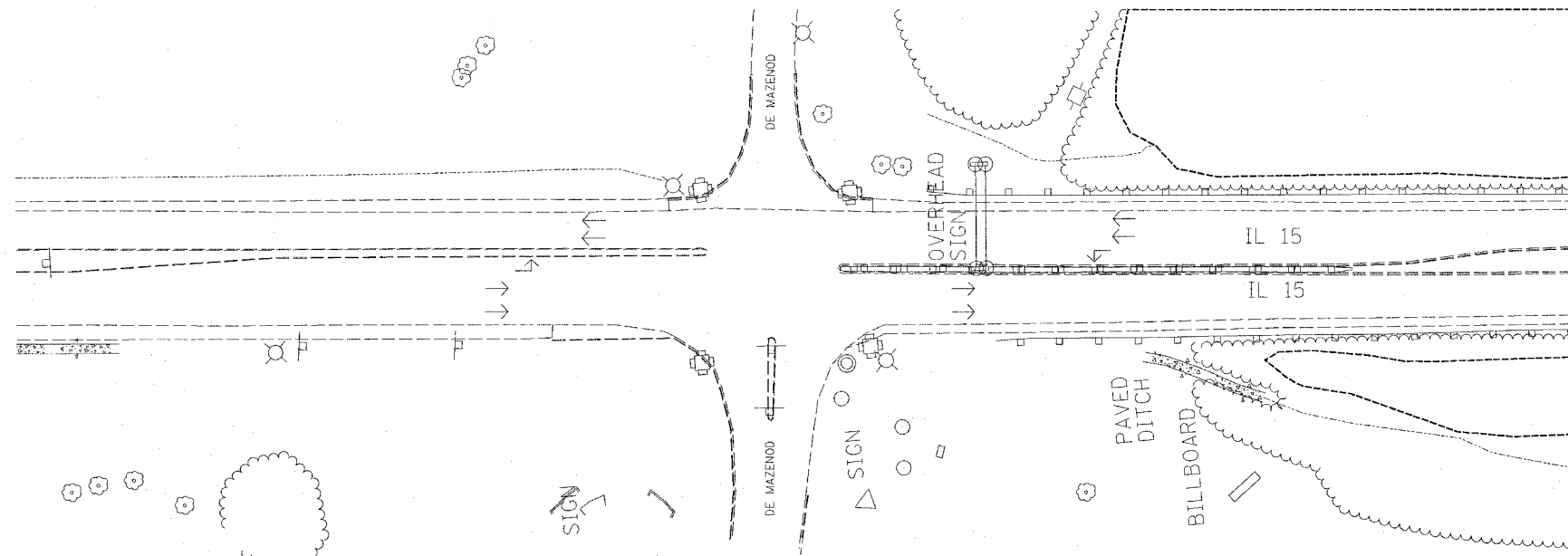
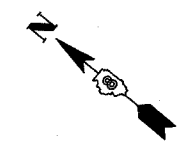
FAP ROUTE 103 (IL 15)  
SECTION 28-1HDF-1  
ST. CLAIR COUNTY

SCALE: \_\_\_\_\_ DATE: \_\_\_\_\_

DRAWN BY \_\_\_\_\_ CHECKED BY \_\_\_\_\_

PLOT DATE = 10/27/2005  
PLOT NAME = d:\projects\28-1hdf-1\typ\28-1hdf-1.dgn  
PLOT SCALE = 3/8" = 1' IN.  
REFERENCE = REF#

F.A.P. RTE.	SECTION	COUNTY	TOTAL SHEETS	SHEET NO.
103	28-1HDF-1	ST. CLAIR	6	5
STA.		TO STA.		
FED. ROAD DIST. NO.		ILLINOIS FED. AID PROJECT		



FOR INFORMATIONAL PURPOSES ONLY



LOOKING WEST  
R3-4  
24" X 24"



LOOKING EAST  
R4-7  
24" X 36"

SIGN DETAIL (EXISTING)

REVISIONS	
NAME	DATE

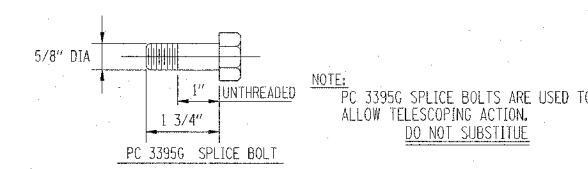
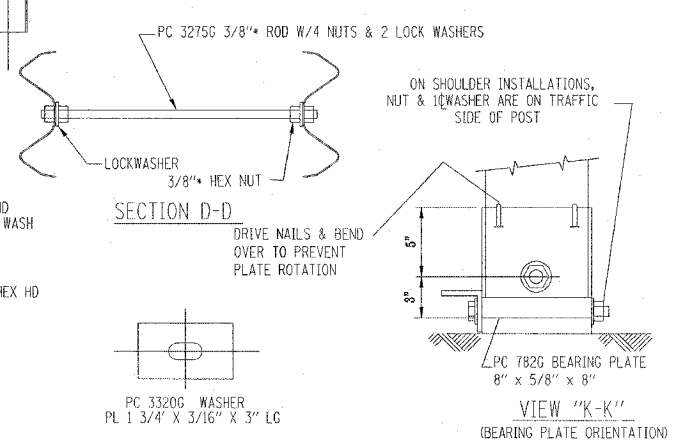
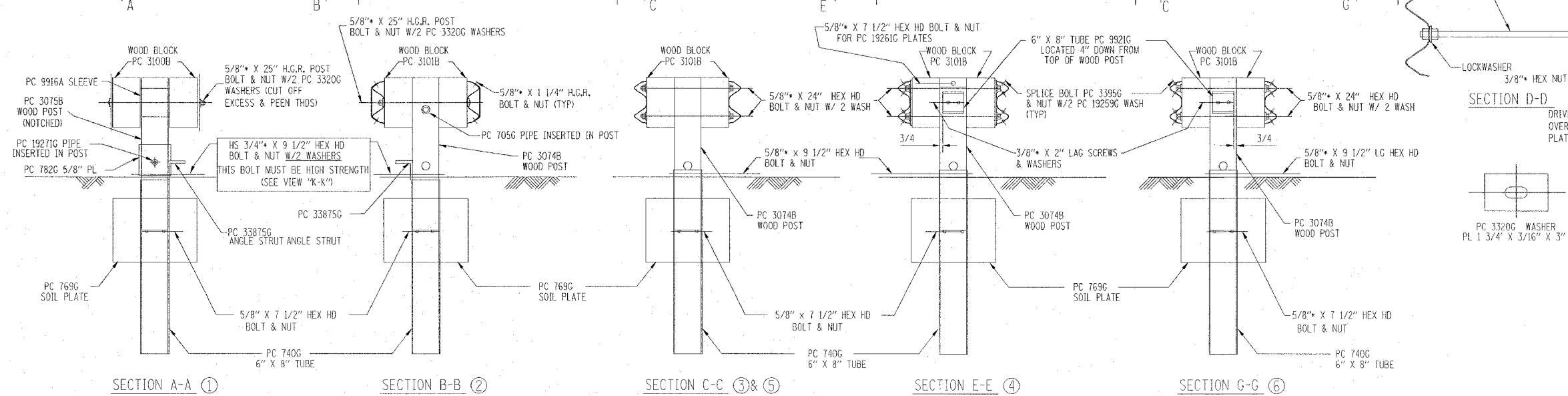
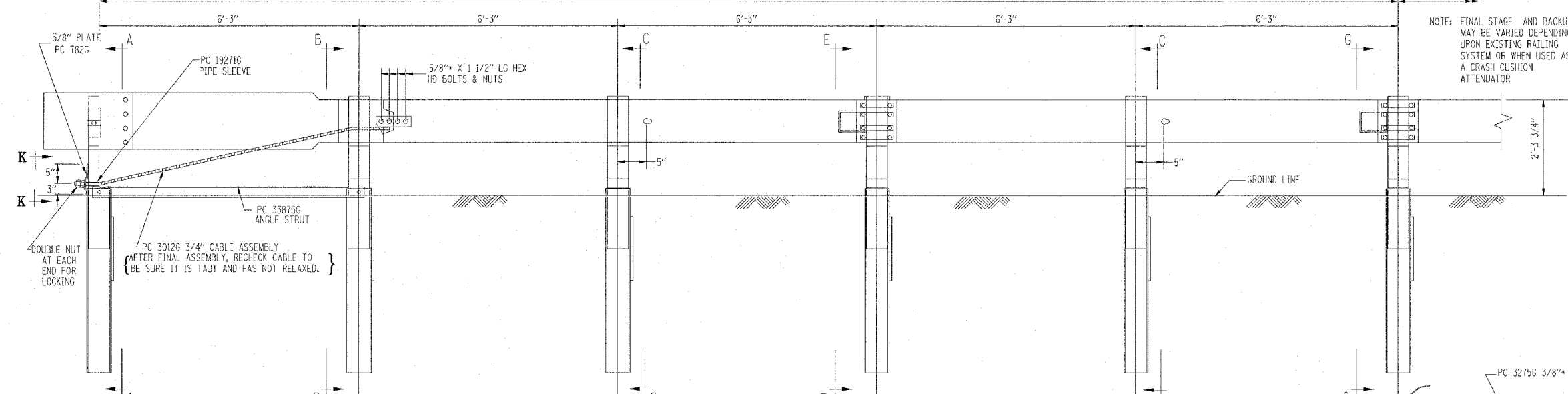
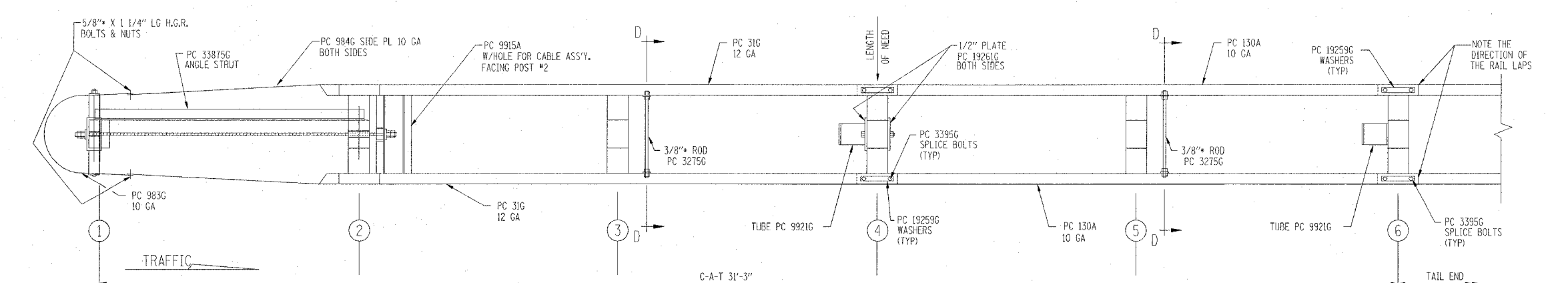
ILLINOIS DEPARTMENT OF TRANSPORTATION

PLAN VIEWS AND DETAILS

FAP ROUTE 103 (IL 15)  
SECTION 28-1HDF-1  
ST. CLAIR COUNTY

PLOT DATE = 10/27/2005  
FILE NAME = c:\pwworkspace\1007960\plan\p1007960.dgn  
SCALE = 1/8" = 1'-0"  
REFERENCE = SHEET 4

F.A.P. RTE.	SECTION	COUNTY	TOTAL SHEETS	SHEET NO.
103	28-1HDF-1	ST. CLAIR	6	6
STA.	TO STA.			
FED. ROAD DIST. NO.	ILLINOIS	FED. AID PROJECT		



NOTE: PC 3395G SPLICE BOLTS ARE USED TO ALLOW TELESCOPING ACTION. DO NOT SUBSTITUTE.

REVISIONS	
NAME	DATE

ILLINOIS DEPARTMENT OF TRANSPORTATION  
**IMPACT ATTENUATORS (PRD), TL3**  
 FAP ROUTE 103 (IL 15)  
 SECTION 28-1HDF-1  
 ST. CLAIR COUNTY

PLOT DATE = 10/27/2005  
 FILE NAME = c:\p05\281hdf\pl\107766.dgn  
 PLOT SCALE = 1/8" = 1'-0"  
 REFERENCE = #REF#