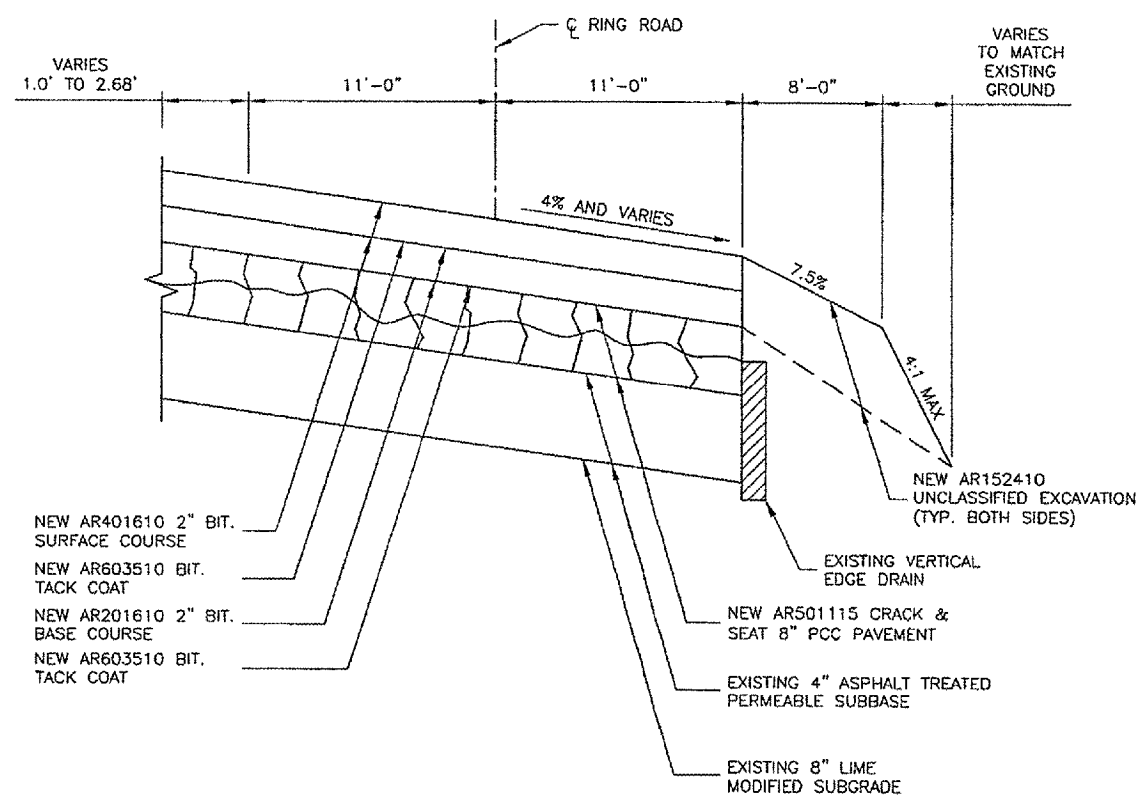
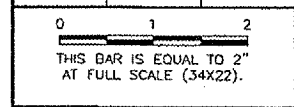
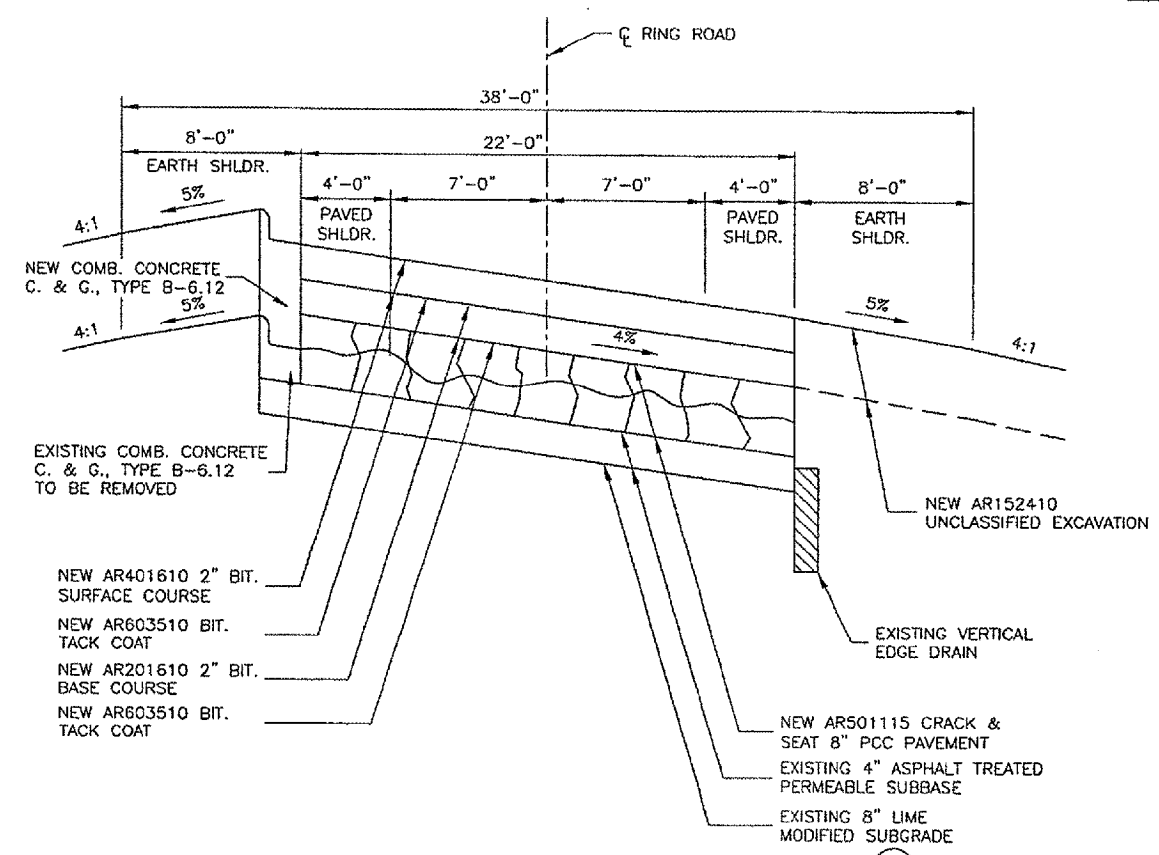


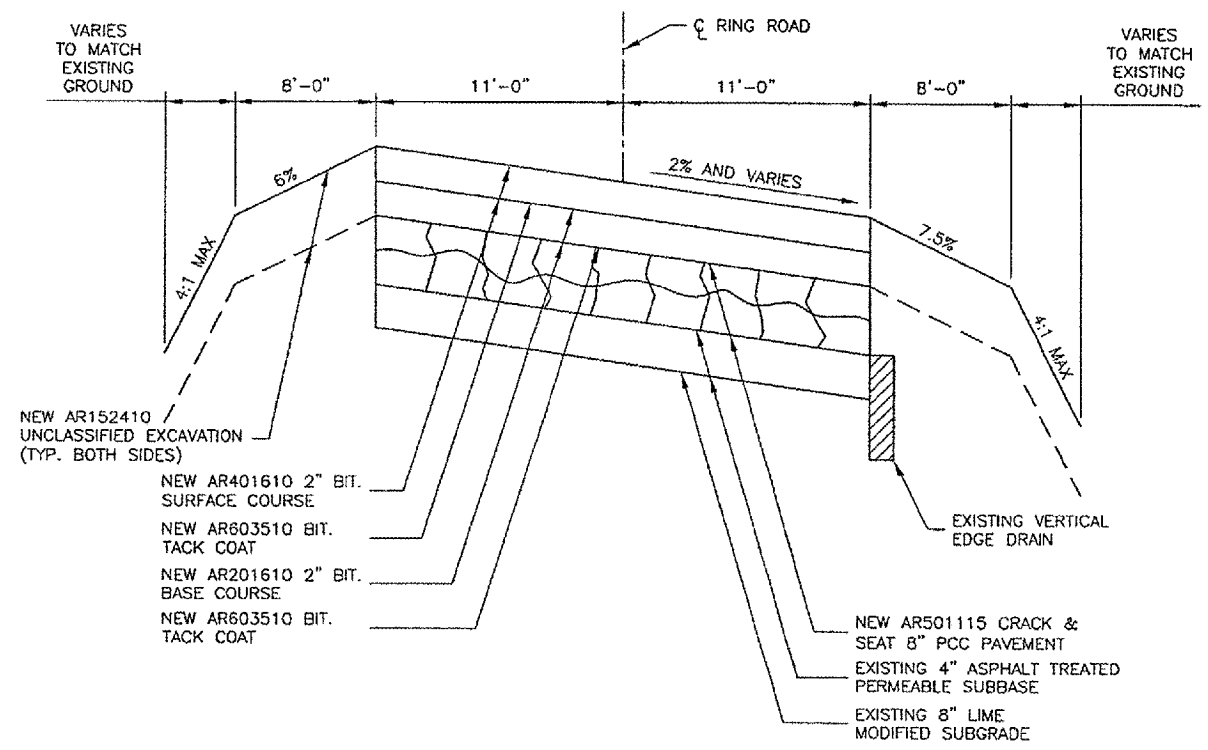
REVISIONS		
NUMBER	BY	DATE



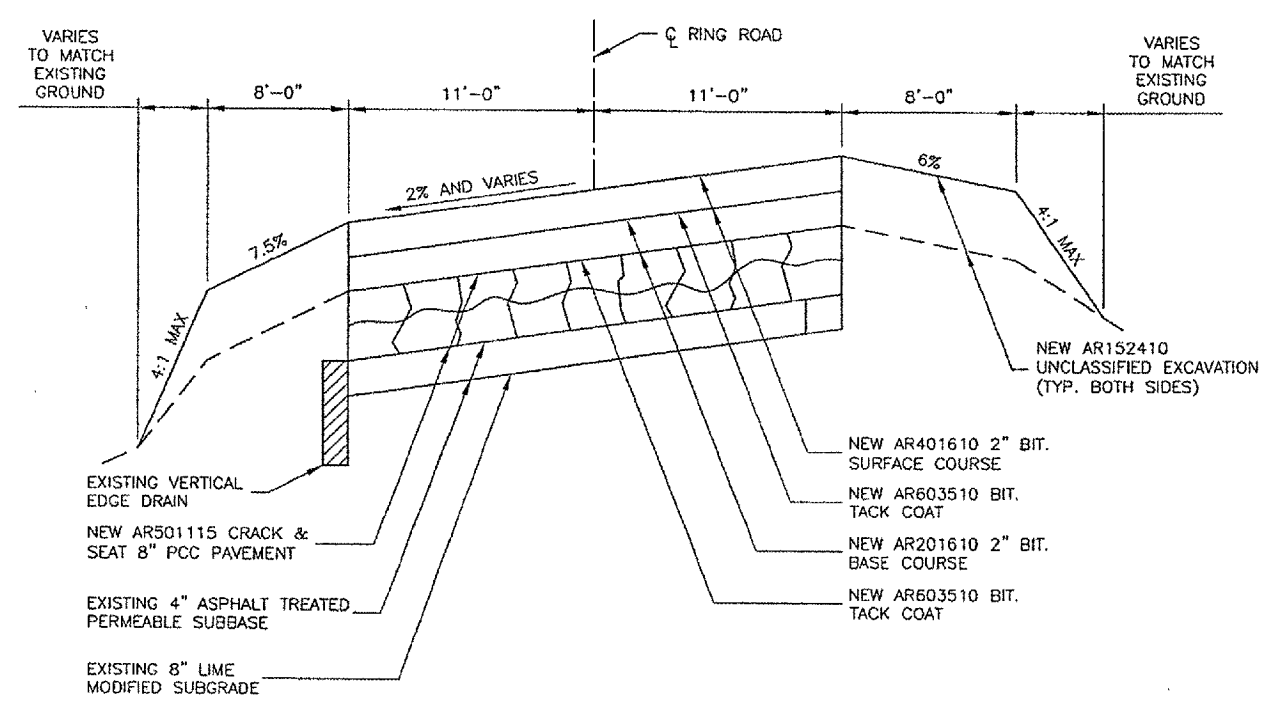
TYPICAL SECTION - RING ROAD (D)
 STA. 8+72.18 TO STA. 9+03.30
 STA. 43+63.78 TO STA. 44+00.90
 N.T.S.



TYPICAL SECTION - RING ROAD / RETURN ROAD (E)
 STA. 9+03.30 TO STA. 10+86.80
 STA. 41+83.62 TO STA. 43+69.78
 N.T.S.



TYPICAL SECTION - RING ROAD (F)
 STA. 10+87.98 TO STA. 15+94.52
 N.T.S.



TYPICAL SECTION - RING ROAD (G)
 STA. 15+94.52 TO STA. 18+47.47
 N.T.S.

**UNIVERSITY OF ILLINOIS
 WILLARD AIRPORT**

REHABILITATE TERMINAL PARKING AREA

TYPICAL SECTIONS SHEET 2

© Copyright, CMT, Inc.

CMT
 CRAWFORD, MURPHY & TILLY, INC.
 CONSULTING ENGINEERS
 License No. 84-000613

DESIGN BY:	SMS
DRAWN BY:	CMT
CHECKED BY:	JEF
APPROVED BY:	SMH
DATE:	11/11/05
JOB No:	0505903
IL PROJECT:	CM1-3473