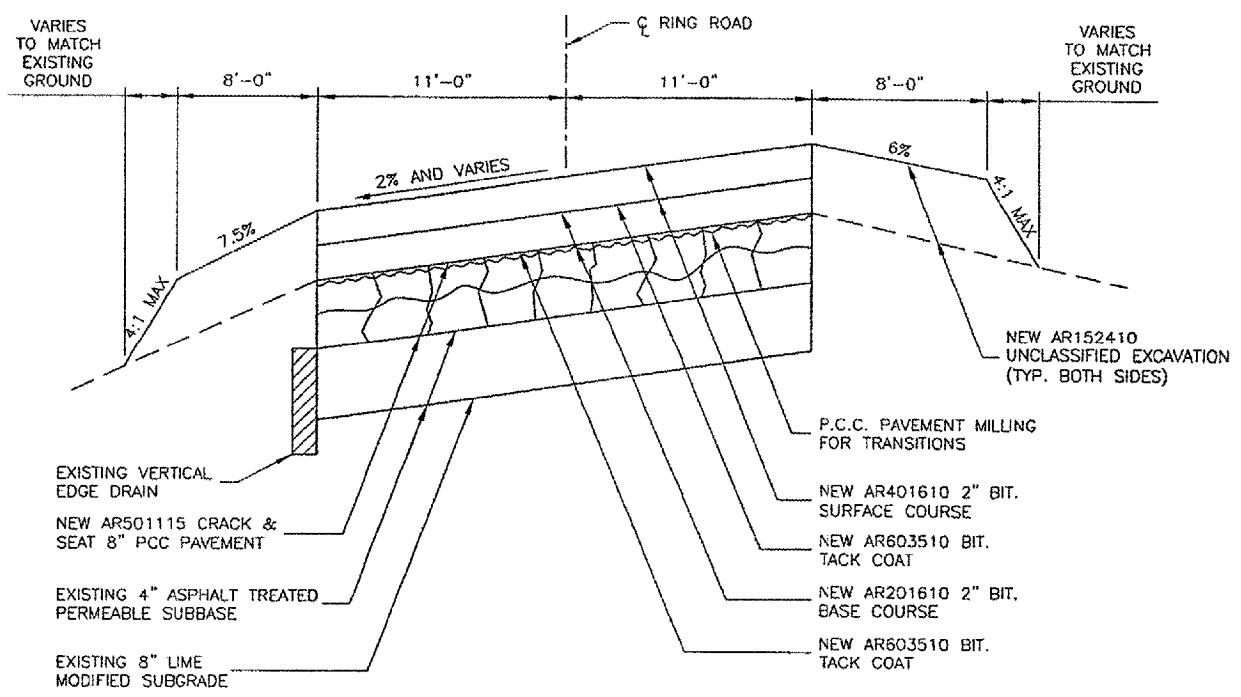
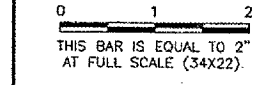
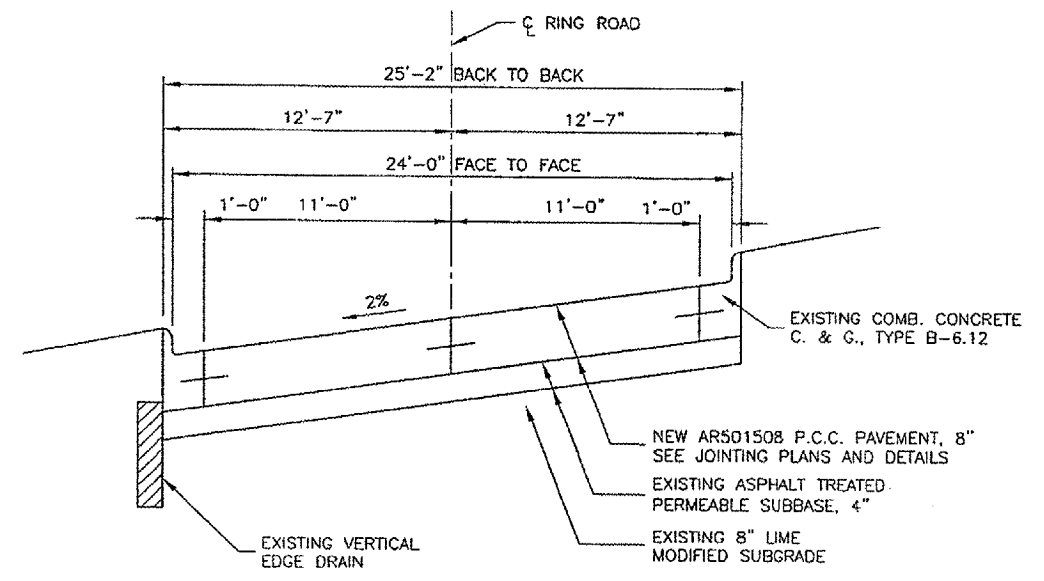


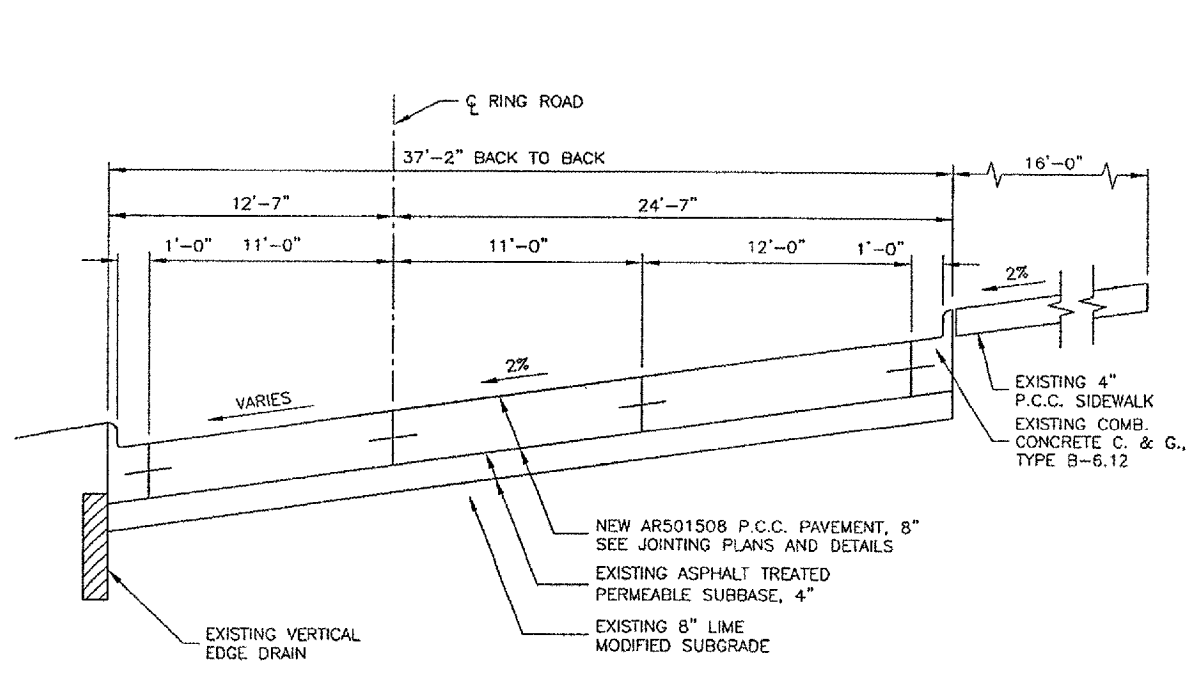
REVISIONS		
NUMBER	BY	DATE



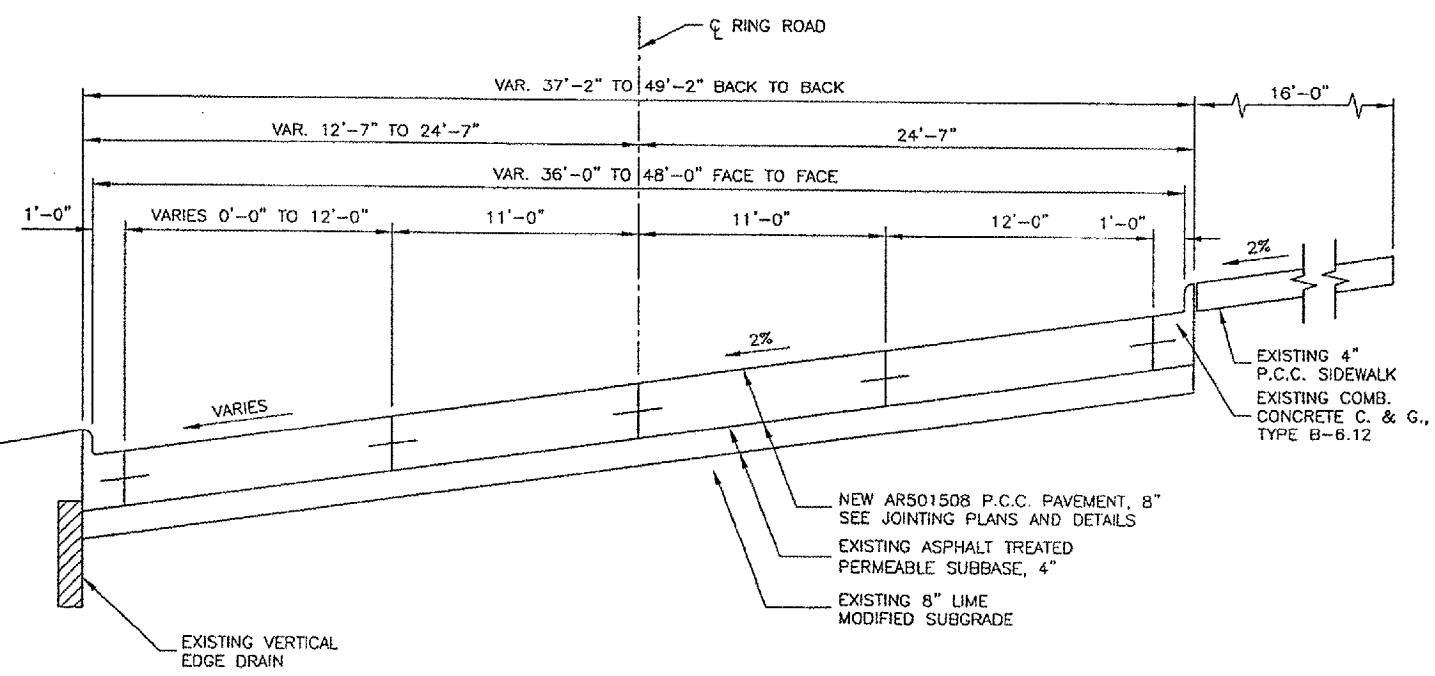
TYPICAL SECTION — RING ROAD (H)
 STA. 20+35.77 TO STA. 22+37.60
 N.T.S.



TYPICAL SECTION — RING ROAD / FRONTAL DRIVE (I)
 STA. 22+37.60 TO STA. 23+32.93
 STA. 24+27.63 TO STA. 30+99.33
 N.T.S.



TYPICAL SECTION — RING ROAD / FRONTAL DRIVE (J)
 STA. 24+25.21 TO STA. 27+36.52
 N.T.S.



TYPICAL SECTION — RING ROAD / FRONTAL DRIVE (K)
 STA. 27+36.52 TO STA. 29+27.63
 N.T.S.

**UNIVERSITY OF ILLINOIS
 WILLARD AIRPORT**
REHABILITATE TERMINAL PARKING AREA
TYPICAL SECTIONS SHEET 3

© Copyright CMT, Inc.
CMT
 CRAWFORD, MURPHY & TILLY, INC.
 CONSULTING ENGINEERS
 License No. 084-000613

DESIGN BY:	SMS
DRAWN BY:	CMT
CHECKED BY:	JEF
APPROVED BY:	SMH
DATE:	11/11/05
JOB No:	0505903
IL PROJECT:	CMI-3473
SHEET	17 OF 45 SHEETS