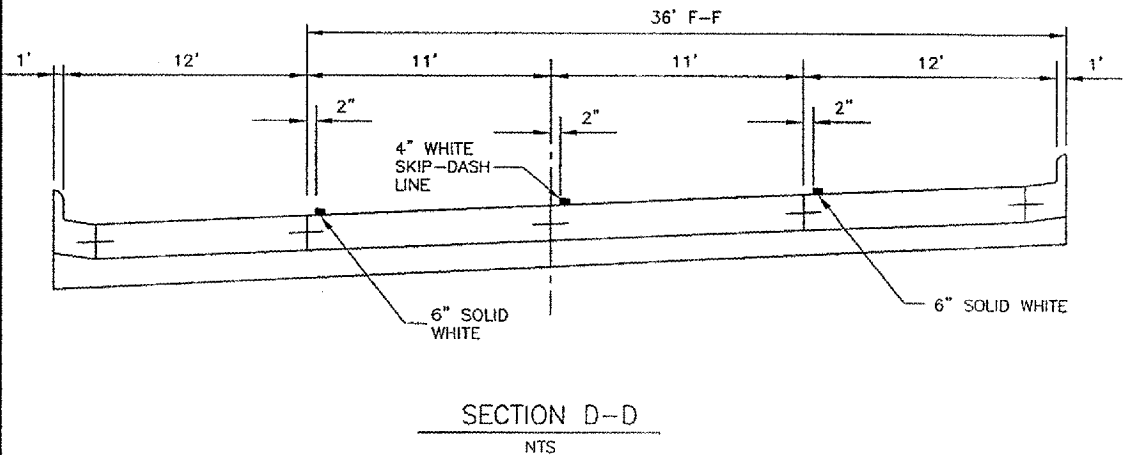
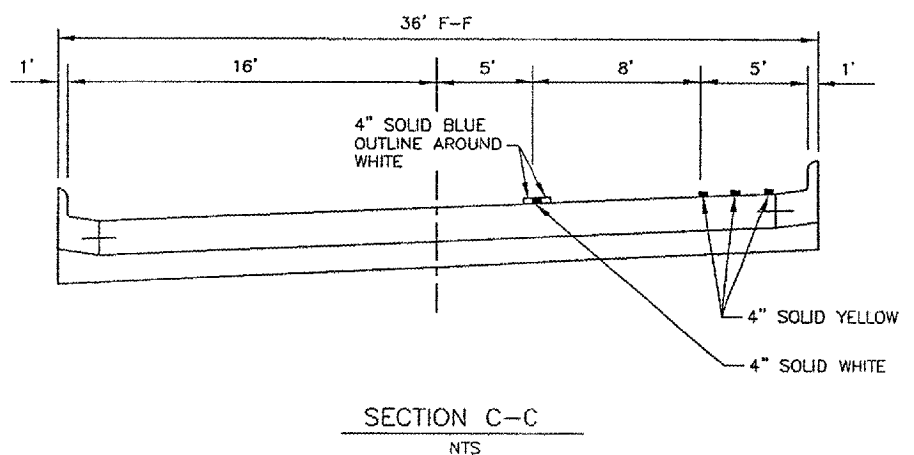
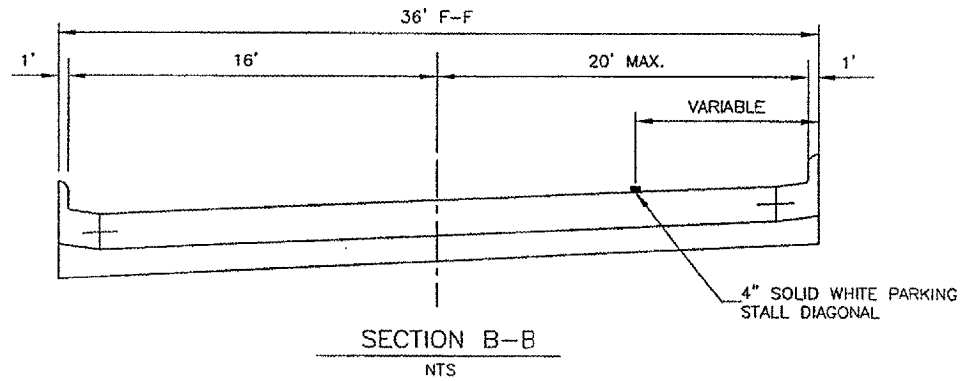
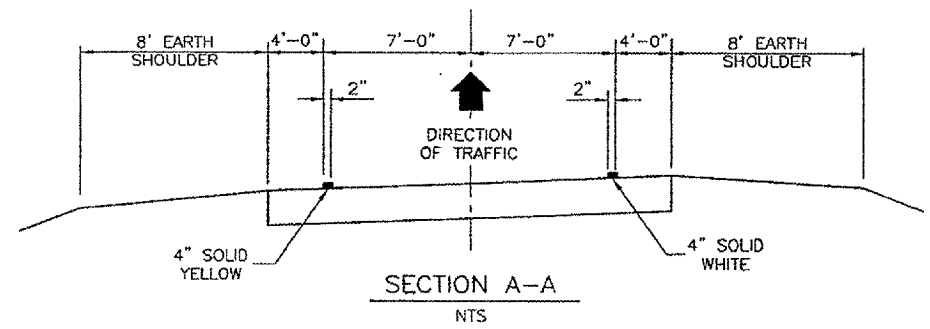
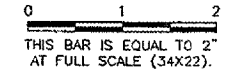
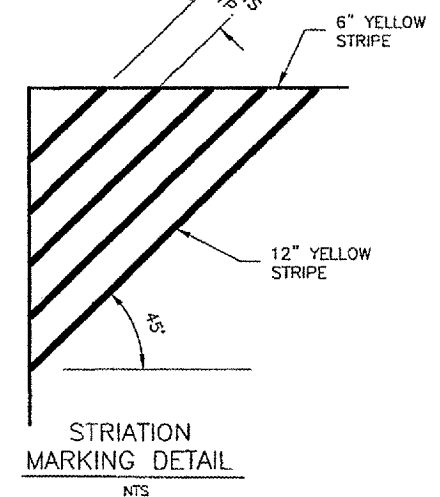
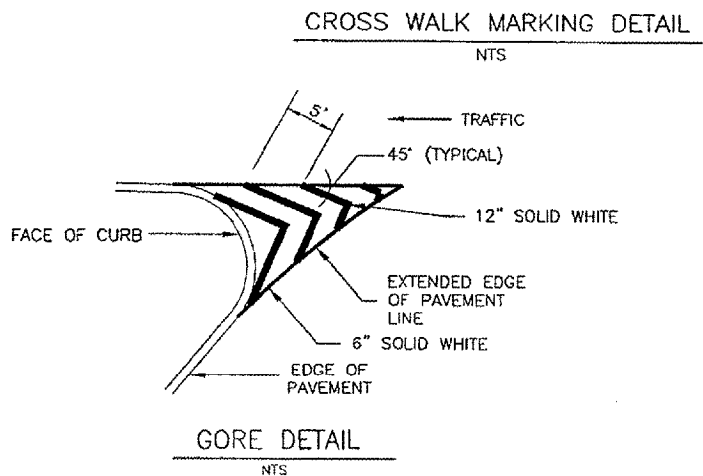
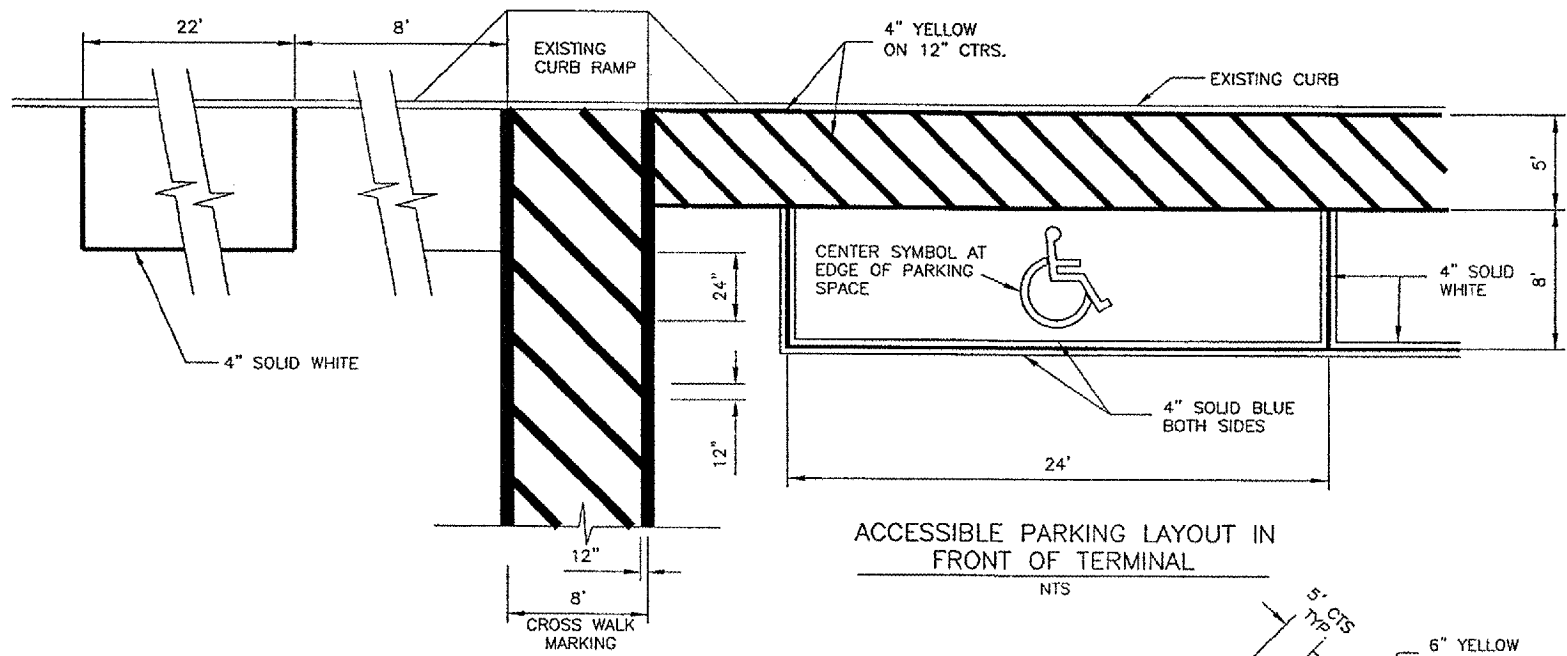
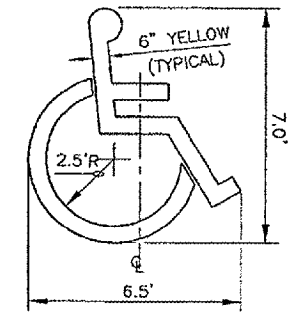
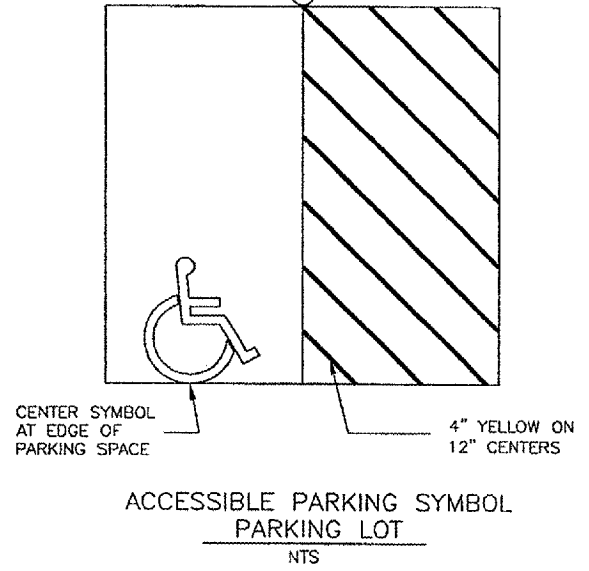


REVISIONS		
NUMBER	BY	DATE



CONTRACTOR TO PROVIDE AND INSTALL U.S. - DOT R7-8 (RESERVED PARKING) AND U.S. -1 101 (\$100 FINE) CENTERED. INSTALL AT LEAST 4' ABOVE PAVEMENT.



TO BE USED AT ALL LOCATIONS EXCEPT ADJACENT TO ACCESSIBLE PARKING.

**UNIVERSITY OF ILLINOIS  
 WILLARD AIRPORT  
 REHABILITATE TERMINAL PARKING AREA  
 MARKING DETAILS**

© Copyright CMT, Inc.  
**CMT**  
 CRAWFORD, MURPHY & TILLY, INC.  
 CONSULTING ENGINEERS  
 License No. 84-000618

DESIGN BY:	CMT
DRAWN BY:	CMT
CHECKED BY:	JEF
APPROVED BY:	SMH
DATE:	11/11/05
JOB No:	0505903
IL PROJECT: CMI-3473	

SHEET 28 OF 45 SHEETS