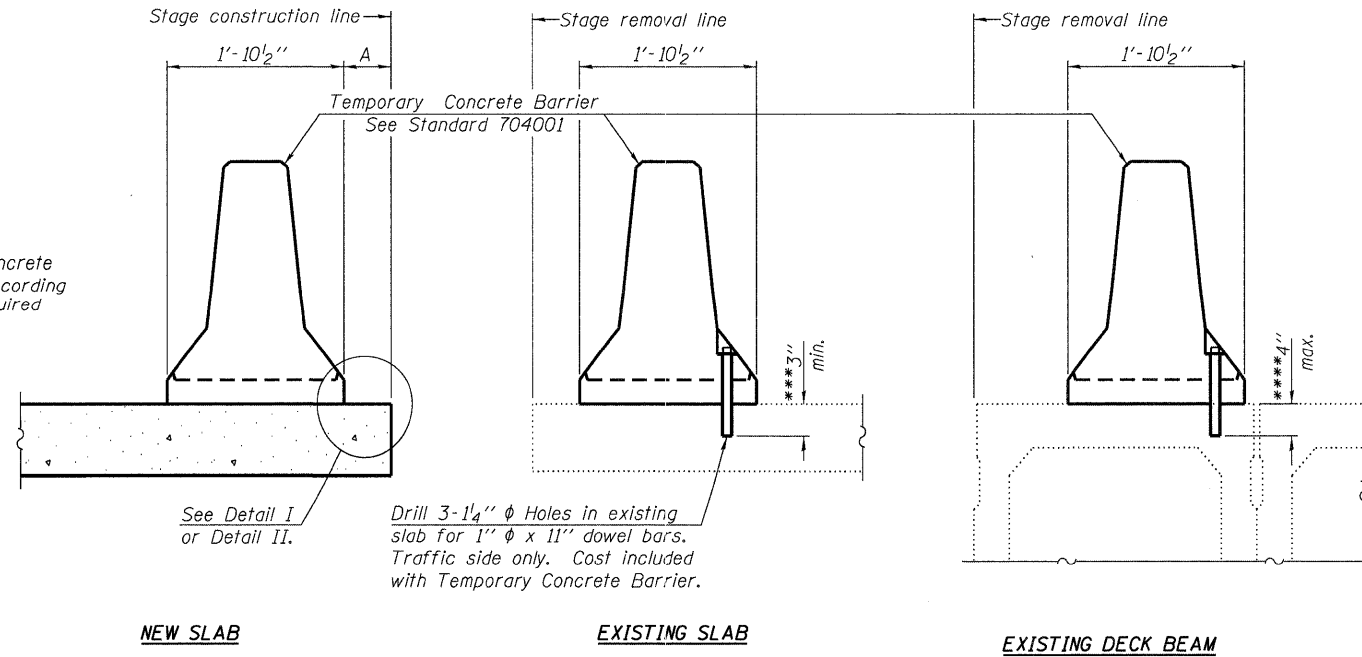


When "A" is 3'-6" or less, the temporary concrete barrier shall be anchored to the new slab according to Detail I or Detail II. No anchorage is required when "A" is greater than 3'-6".



SECTIONS THRU SLAB OR DECK BEAM

NOTES

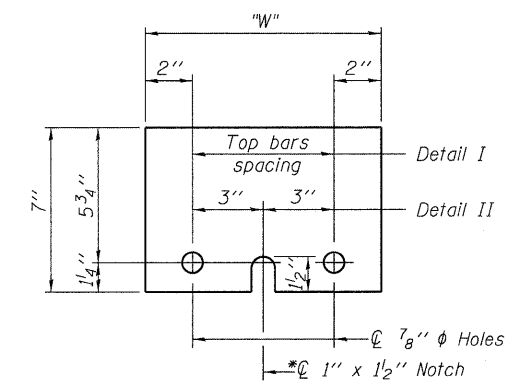
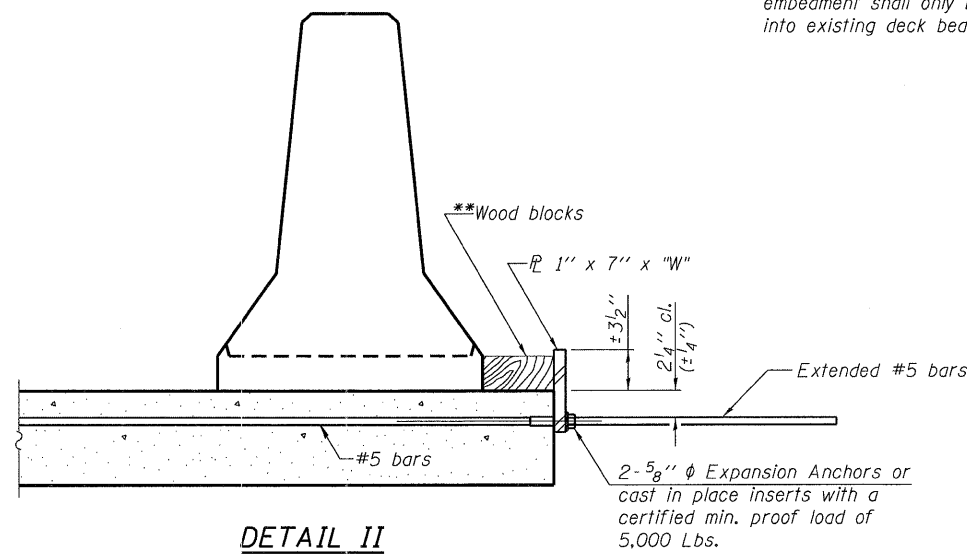
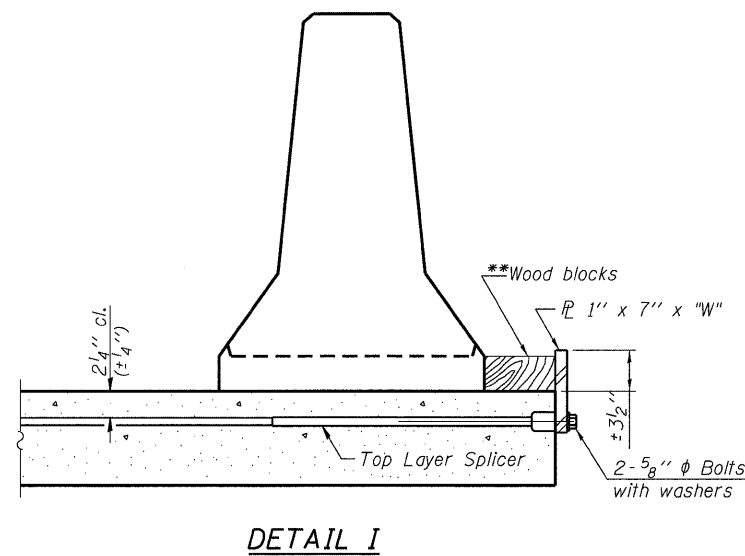
Detail I - With Bar Splicer or Couplers:
Connect one (1) 1" x 7" x "W" steel \bar{P} to the top layer of couplers with 2-5/8" ϕ bolts screwed to coupler at approximate \bar{C} of each barrier panel.

Detail II - With Extended Reinforcement Bars:
Connect one (1) 1" x 7" x "W" steel \bar{P} to the concrete slab or concrete wearing surface with 2-5/8" ϕ Expansion Anchors or cast in place inserts spaced between the top layer of reinforcement at approximate \bar{C} of each barrier panel.

Cost of anchorage is included with Temporary Concrete Barrier. The 1" x 7" x "W" plate shall not be removed until stage II construction forms and all reinforcement bars are in place and the concrete is ready to be placed.

*** Dimension shown is minimum required embedment into concrete. If hot-mix asphalt wearing surface is present, minimum embedment shall be in addition to wearing surface depth.

**** If existing deck beam is to remain in place after stage construction, embedment shall only be into wearing surface and not into existing deck beam concrete.



STEEL RETAINER \bar{P} 1" x 7" x "W"
* Required only with Detail II

** Wood blocks may be omitted when required to provide minimum stage traffic lane width. When the wood blocks are omitted, the concrete barrier shall be in direct contact with the steel retainer plate.

"W" = Top bars spacing + 4"

N:\PROJ\0003377_00\Design\Structure\016-2818-04 Temporary Barrier-Details.dgn

R-27 7-1-10

<p>CLORBA GROUP, INC. CONSULTING ENGINEERS 1037 NORTH CLAREMONT AVENUE SUNLAKE, ILLINOIS 60088 TEL: 773.776.4000 FAX: 773.776.4014 EMAIL: clorba@clorba.com</p>	USER NAME = rdonley	DESIGNED BWS	REVISED -	STATE OF ILLINOIS DEPARTMENT OF TRANSPORTATION	TEMPORARY CONCRETE BARRIER FOR STAGE CONSTRUCTION STRUCTURE NO. 016-2818	F.A.U. RTE. 2742	SECTION 3222-W-BR	COUNTY COOK	TOTAL SHEETS 51	SHEET NO. 29		
	PLOT SCALE = 0:1' = 1/4"	CHECKED SCD	REVISED -			SHEET NO. S-4 OF S-17 SHEETS			CONTRACT NO. 62116			
	PLOT DATE = 10/25/2011	DRAWN RD	REVISED -			ILLINOIS FED. AID PROJECT						
		CHECKED DL	REVISED -									