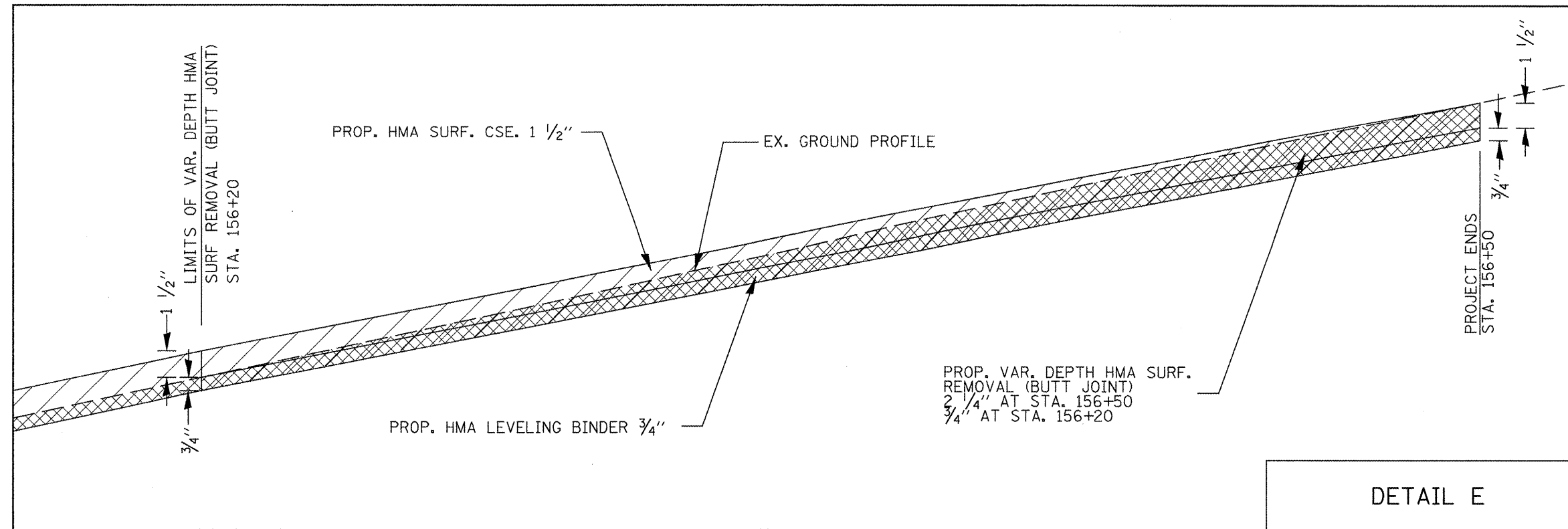


DETAIL D



DETAIL E

FILE NAME = Profile details.dgn	USER NAME = lobebsidam	DESIGNED -	REVISED -
		DRAWN -	REVISED -
		CHECKED -	REVISED -
		DATE -	REVISED -

STATE OF ILLINOIS
DEPARTMENT OF TRANSPORTATION

BUTT JOINT DETAILS

SCALE: SHEET NO. OF SHEETS STA. TO STA.

F.A.S. RTE. NO. 1190	SECTION (125BY)BR	COUNTY KNOX	TOTAL SHEETS 94	SHEET NO. 27
ILLINOIS FED. AID PROJECT			CONTRACT NO. 68087	