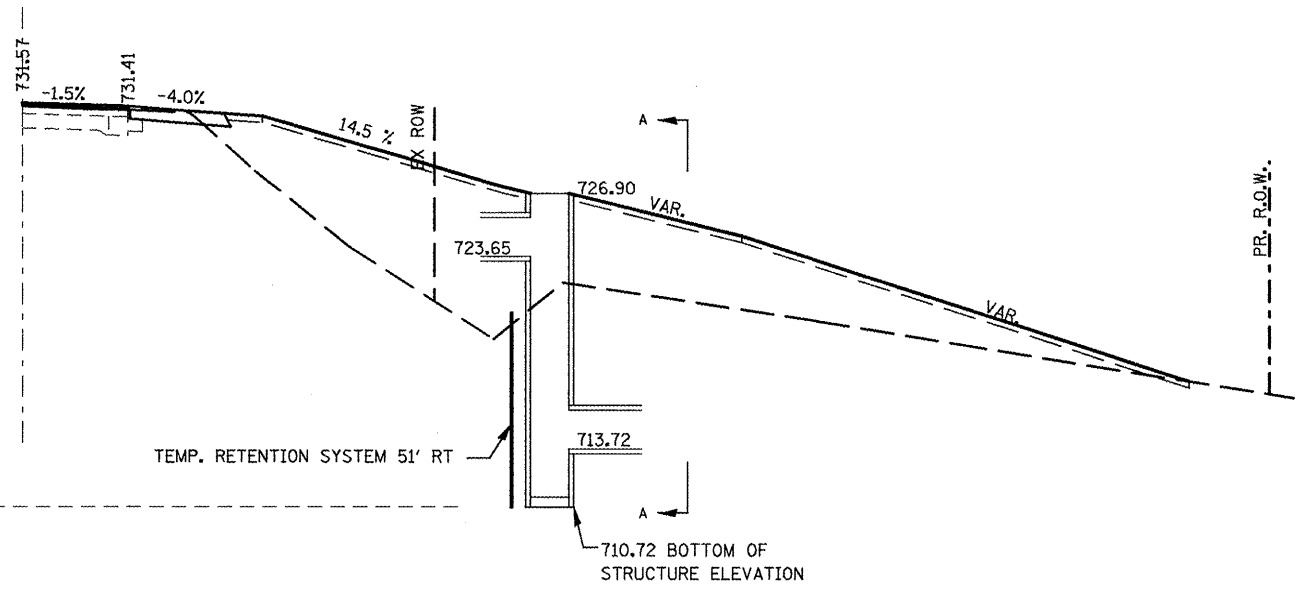


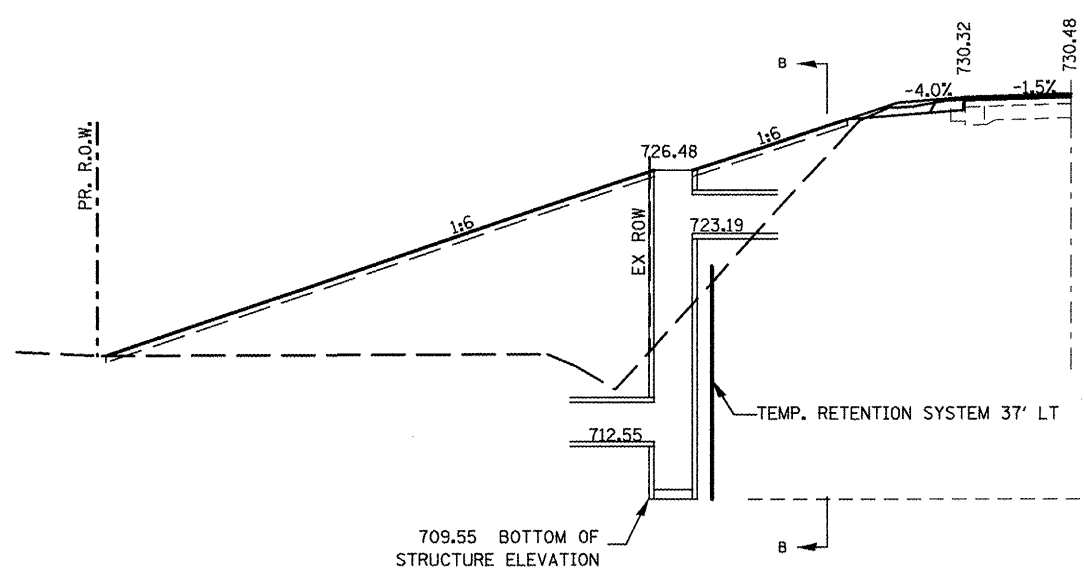
AREA OF SOIL TO BE RETAINED BY TEMP. SOIL RETENTION SYSTEM = 190 SQ FT

SECTION A-A



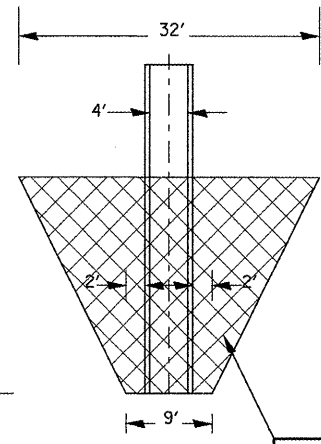
STA. 142+90

NOTE
 TEMPORARY SOIL RETENTION SYSTEM WILL BE USED TO RETAIN SOIL BEHIND THE PROPOSED MANHOLE DROP STRUCTURE IN ORDER TO CONSTRUCT THE BASE PAD, INLET AND OUTLET PIPES, MANHOLE AND BACKFILL AROUND THE STRUCTURE



SECTION B-B

STA. 143+15



AREA OF SOIL TO BE RETAINED BY TEMP. SOIL RETENTION SYSTEM = 226 SQ FT

SECTION B-B

FILE NAME = Temp Retention system detail.dgn	USER NAME = lobbbsdsm	DESIGNED -	REVISED -
		DRAWN -	REVISED -
		CHECKED -	REVISED -
		DATE -	REVISED -

**STATE OF ILLINOIS
 DEPARTMENT OF TRANSPORTATION**

TEMPORARY SOIL RETENTION SYSTEM

SCALE: SHEET NO. OF SHEETS STA. TO STA.

F.A.S. RTE. 1190	SECTION (125BY)BR	COUNTY KNOX	TOTAL SHEETS 94	SHEET NO. 31
CONTRACT NO. 68087				ILLINOIS FED. AID PROJECT