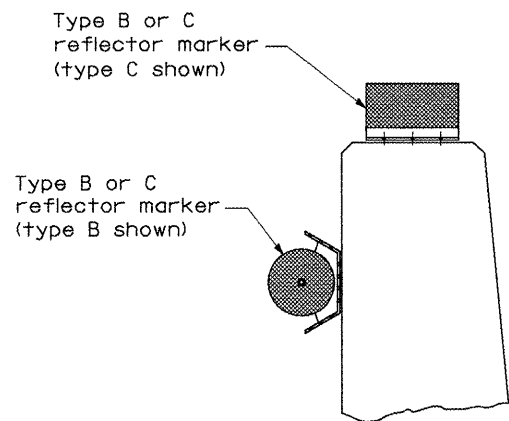
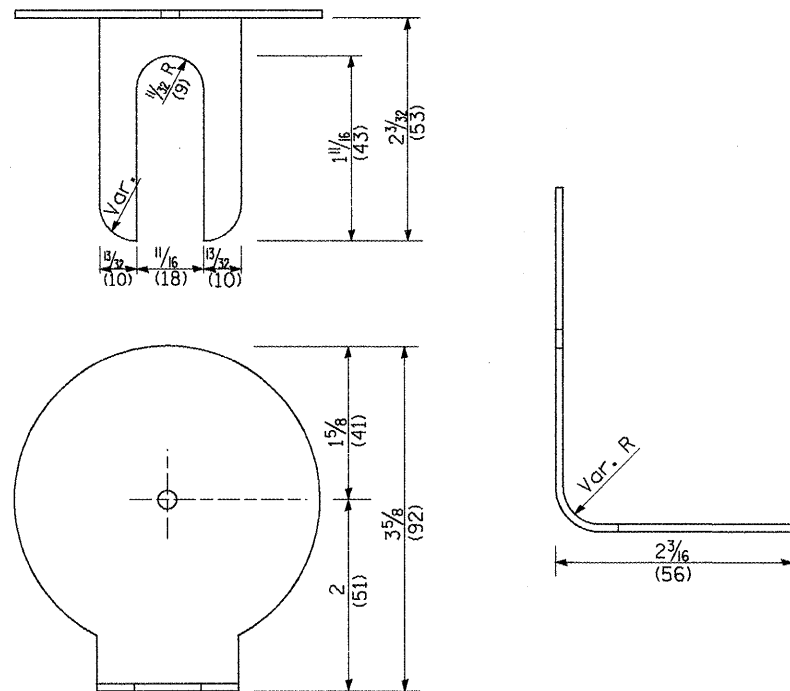


TYPICAL MOUNTING DETAIL FOR BRIDGE RAIL REFLECTOR

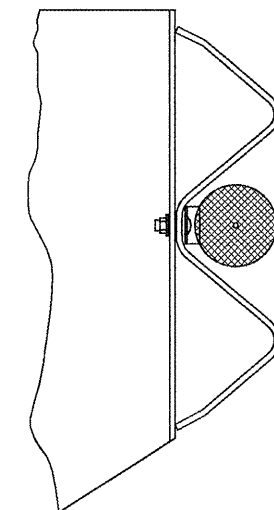


TYPICAL MOUNTING DETAIL FOR BARRIER WALL REFLECTOR

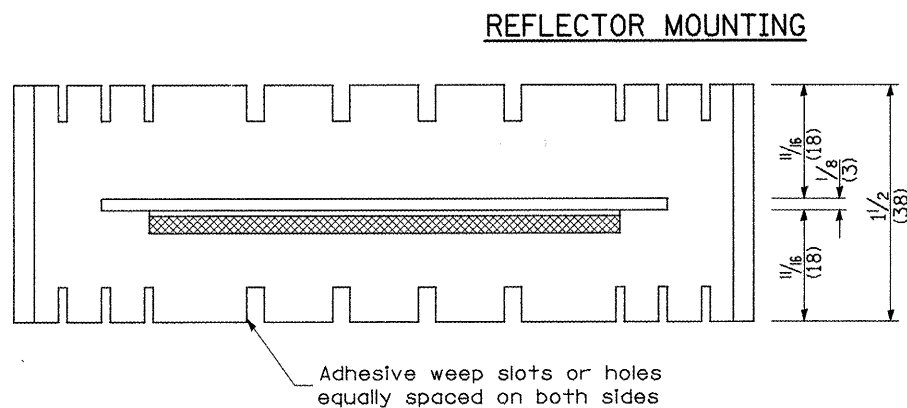


REFLECTOR MARKER TYPE A

Min. reflective area 6 1/2 sq. in. (4,194 mm²) each side. May be rectangular or slight trapezoid.

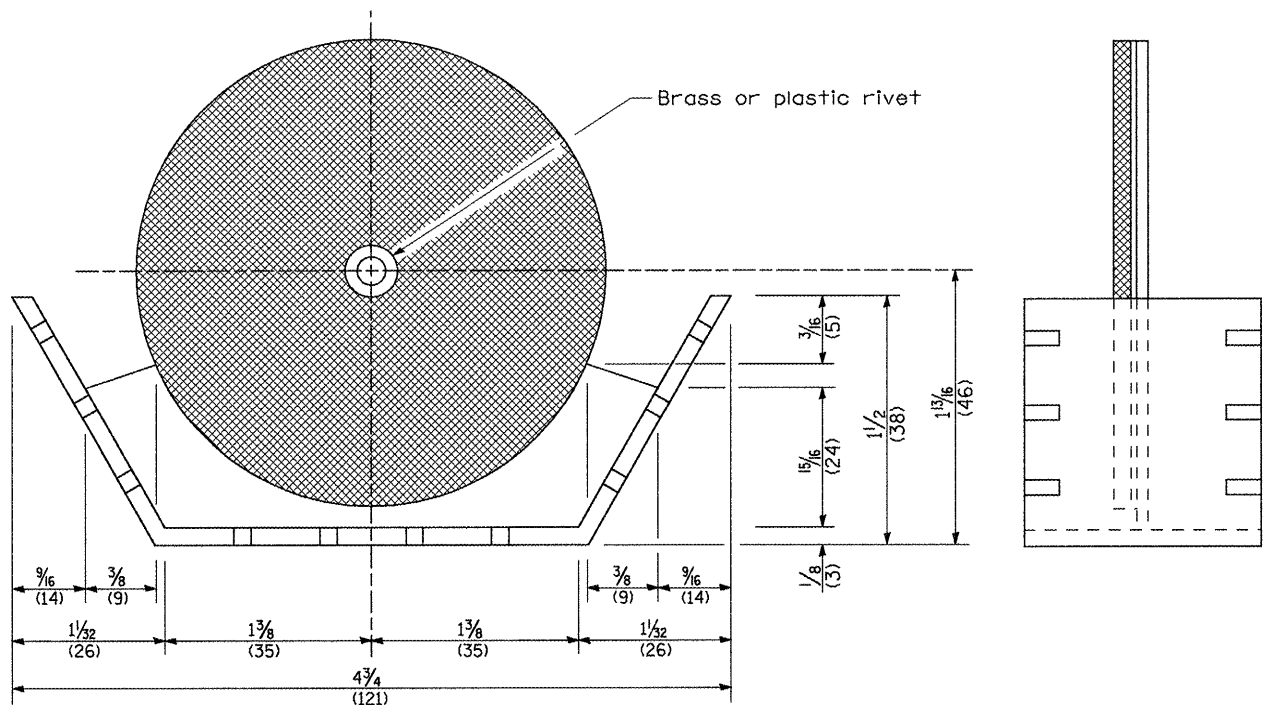


TYPICAL GUARDRAIL MOUNTING WITH REFLECTOR MARKER TYPE A

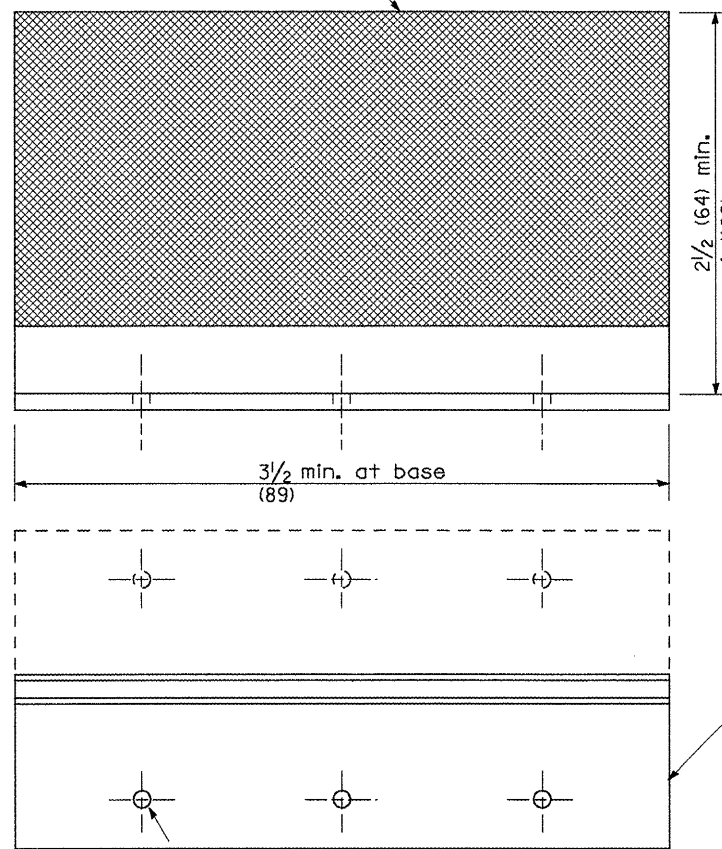


REFLECTOR MOUNTING

Adhesive weep slots or holes equally spaced on both sides



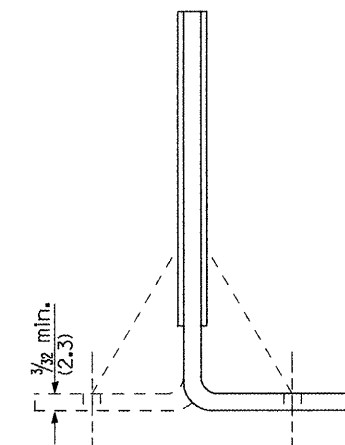
REFLECTOR MARKER TYPE B



REFLECTOR MARKER TYPE C

3 min. adhesive weep holes or slots each side, variable spacing.

Minimum total area of base 7.0 Sq. in. (4,516 mm²)



Cross section may be "T" or "L" shaped and may have side supports at ends.

REFLECTORS

All dimensions are in inches (millimeters) unless otherwise noted.