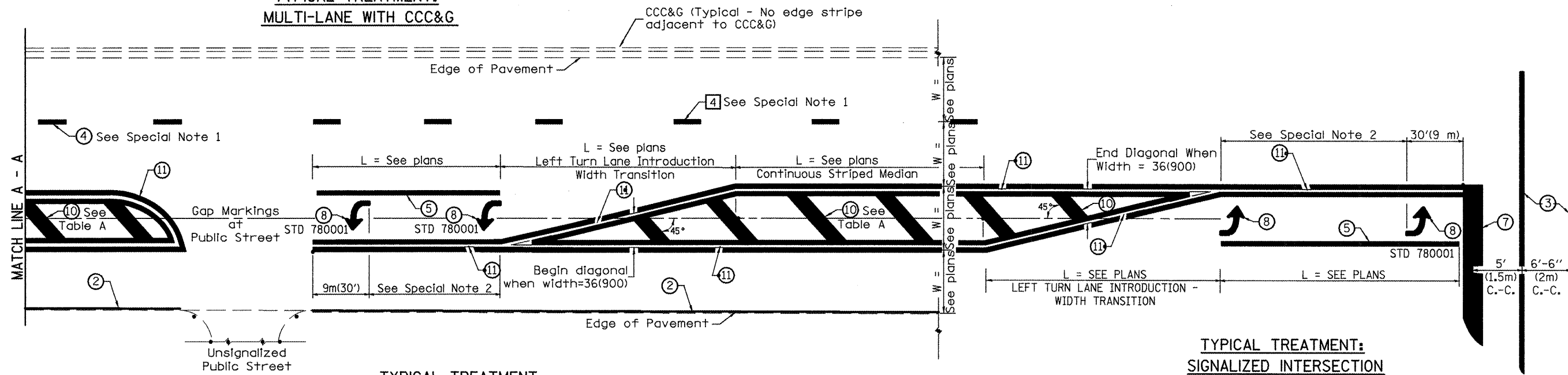


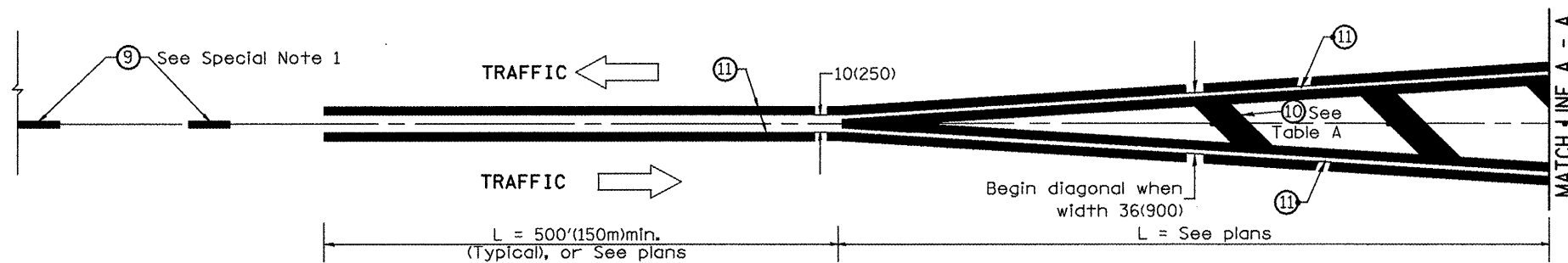
**TYPICAL TREATMENT:  
MULTI-LANE WITH CCC&G**



**FLUSH PAVED MEDIAN: RESTRICTED LEFT TURN LANE**

**TABLE A  
RECOMMENDED SPACING BETWEEN DIAGONAL LINES**

SPEED LIMIT RANGE	CONTINUOUS	INTERSECTION CHANNELIZATION (Includes Width Transitions for Median and Left Turn Lane Introductions)
Less Than 30 mph (50 km/h)	50' (15m)	15' (5m)
30 - 45 mph (50 - 70 km/h)	75' (23m)	20' (6m)
Over 45 mph (70 km/h)	150' (46m)	30' (9m)



**MEDIAN INTRODUCTION - WIDTH TRANSITIONS**

All dimensions are in inches (millimeters) unless otherwise noted.

STATE OF ILLINOIS  
DEPARTMENT OF TRANSPORTATION

TYPICAL PAVEMENT MARKINGS

NOT TO SCALE

SHT. 2 OF 2  
CADD STD. 780001-D4

F.A.S. RTE.	SECTION	COUNTY	TOTAL SHEETS	SHEET NO.
1190	(125BY)BR	KNOX	94	74
FED. ROAD DIST. NO. ILLINOIS FED. AID PROJECT			CONTRACT NO. 68087	