

- INDEX OF SHEETS** **01-20-2023 LETTING ITEM 139**
- SHEET 1. COVER SHEET
- SHEET 2. TYPICAL CROSS SECTION, SUMMARY OF QUANTITIES, STRUCTURAL DESIGN, BITUMINOUS MIXTURE TABLE
- SHEET 3. TYPICAL ENTRANCE DETAIL, MAILBOX DETAILS, SIDE ROAD RETURN, GENERAL NOTES

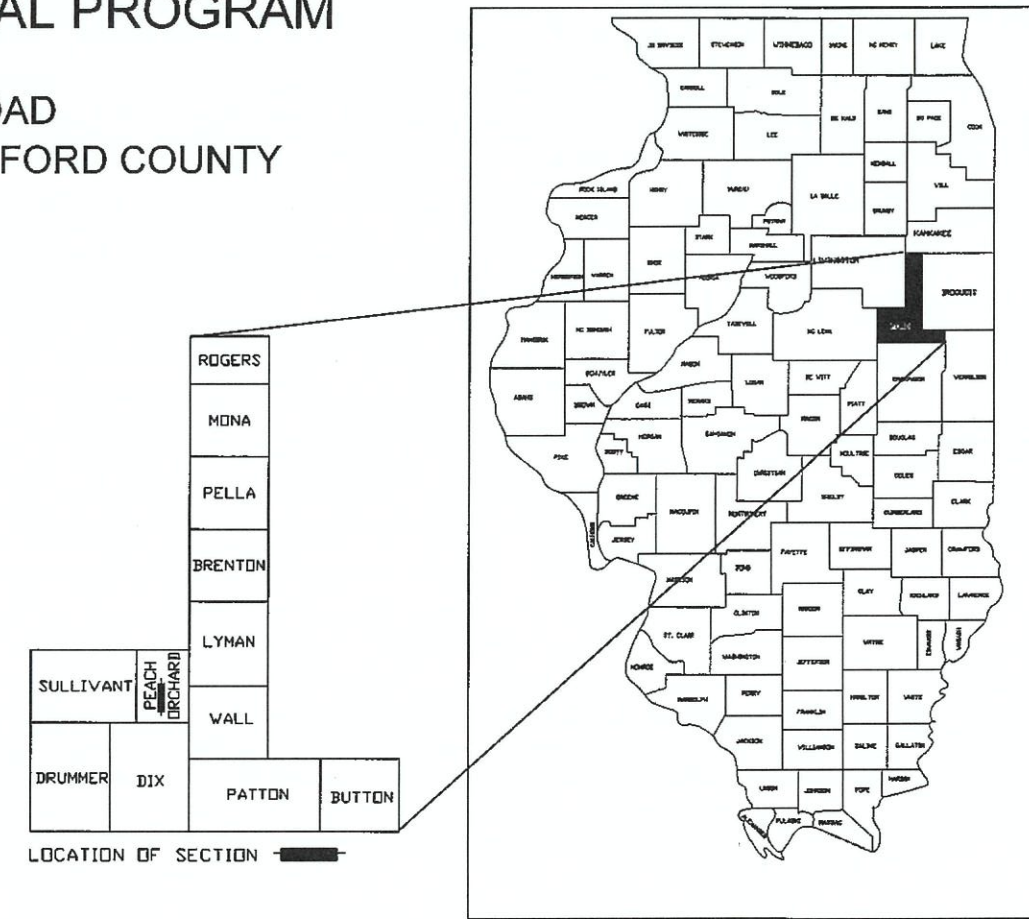
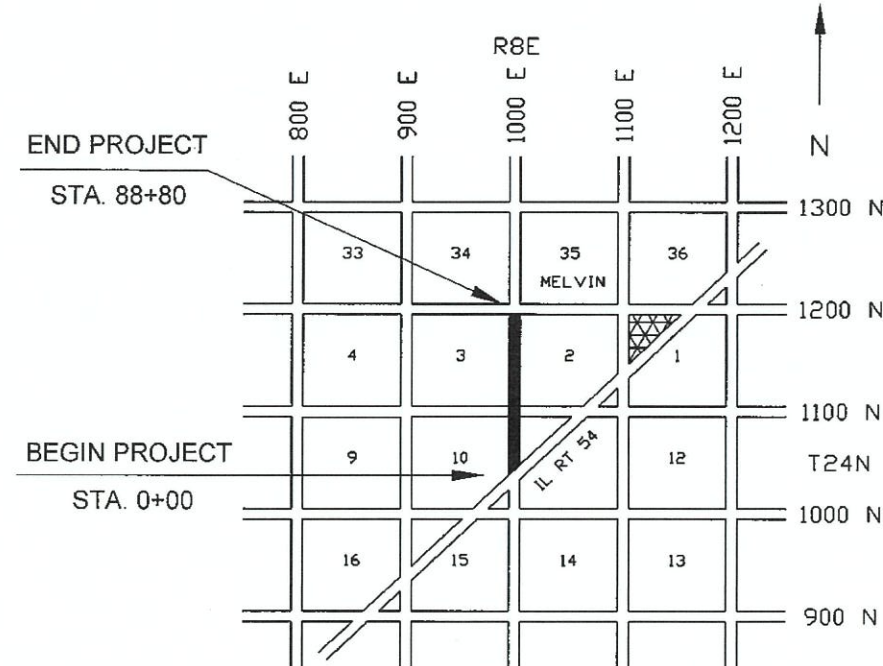
STATE OF ILLINOIS
 DEPARTMENT OF TRANSPORTATION
 DIVISION OF HIGHWAYS
**PLANS FOR PROPOSED RESURFACING
 SURFACE TRANSPORTATION RURAL PROGRAM**

FAS NO.	SECTION	COUNTY	TOTAL SHEETS	SHEET NO.
339	18-00140-00-RS		3	1
PROJECT X9PU(902) CONTRACT # 87798				

C.H. 4 (ELLIOTT ROAD)
 ILLINOIS ROUTE 54 to 1200N ROAD
 F.A.S. ROUTE 339 SECTION 18-00140-00-RS FORD COUNTY
 PROJECT X9PU(902)
 JOB NO. C-93-011-23

STANDARDS

- 000001-08 STANDARD SYMBOLS, ABBREVIATIONS AND PATTERNS
- 701301-04 LANE CLOSURE 2 LANE, 2 WAY, SHORT TIME OPERATIONS
- 701306-04 LANE CLOSURE 2 LANE, 2 WAY, SLOW MOVING OPERATIONS - DAY ONLY FOR SPEEDS > 45 MPH
- 701311-03 LANE CLOSURE 2 LANE, 2 WAY, MOVING OPERATIONS - DAY ONLY
- 701901-08 TRAFFIC CONTROL DEVICES
- 780001-05 TYPICAL PAVEMENT MARKINGS



UTILITIES

UTILITIES ON THIS SECTION AT VARIOUS LOCATIONS INCLUDES TO THE BEST OF OUR KNOWLEDGE:

FRONTIER TELEPHONE COMPANY (UNDERGROUND)
 OVERHEAD POWER - EASTERN ILLINI

CONTRACTORS OR SUBCONTRACTORS SHALL CONTACT J.U.L.I.E. (1-800-892-0123) AT LEAST 72 HOURS PRIOR TO ANY EXCAVATION FOR UTILITIES LOCATION

JOB NO. C-93-011-23
 CONTRACT NO. 87798

NOT TO SCALE

GROSS LENGTH = 8,880' = 1.682 MI.
 NET LENGTH = 8,880' = 1.682 MI.
 PREVIOUS CONSTRUCTION BY SECTION NUMBERS
 79-00030-00-RS, 98-00088-00-RS & 18-00140-00-RS

FUNCTIONAL CLASSIFICATION: MAJOR COLLECTOR

Gregory L. Perkinson
 ILLINOIS PROFESSIONAL NO. 062-035801

EXPIRES 11-30-2023

CURRENT (2022) ADT = 200 - 88% PC
 9% SU
 3% MU

DESIGN ADT (2032) = 225

DESIGN SPEED = 50 MPH



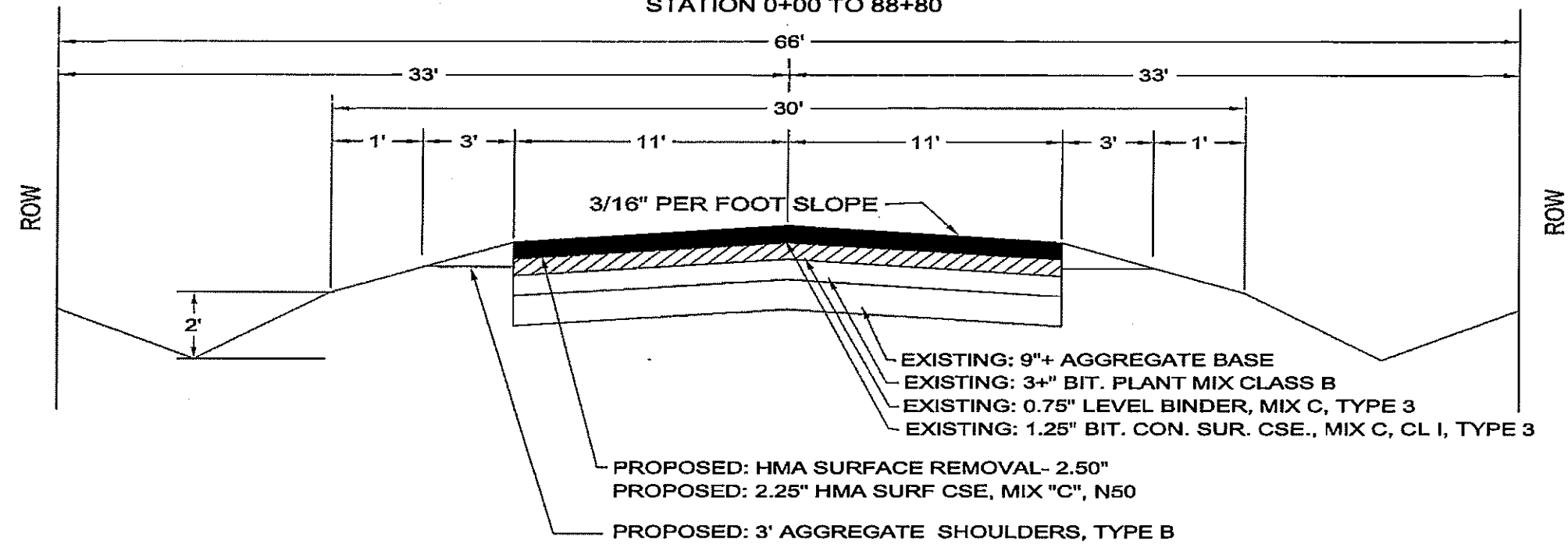
THE ACCEPTANCE OF THIS PROJECT IS BASED ON THE MINIMUM DESIGN CRITERIA UNDER 3R GUIDELINES.

APPROVED	<u>3/14/2022</u> <i>Gregory L. Perkinson</i> FORD COUNTY, COUNTY ENGINEER
PASSED	<u>APRIL 14, 2022</u> <i>[Signature]</i> DISTRICT 3 ENGINEER OF LOCAL ROADS & STREETS
Releasing for Bid Based on Limited Review	<u>APRIL 14, 2022</u> <i>[Signature]</i> REGION 2 ENGINEER
STATE OF ILLINOIS DEPARTMENT OF TRANSPORTATION	

PRINTED BY THE AUTHORITY OF THE STATE OF ILLINOIS

FAS NO.	SECTION	COUNTY	TOTAL SHEETS	SHEET NO.
339	18-00140-00-RS		3	2
PROJECT X9PU(902)				
CONTRACT # 87798				

**TYPICAL CROSS SECTION
SECTION 18-00140-00-RS
STATION 0+00 TO 88+80**



**** NOTE: FROM STA 0+90 TO STA 1+40 PAVEMENT NARROWS TO 18' ****
**** WITH RAILROAD VIADUCT VERTICAL CLEARANCE = 12' ****

STRUCTURAL DESIGN
STA. 0+00 TO STA. 88+80
SEC. 18-00140-00-RS

STRUCTURAL DESIGN TRAFFIC YEAR	2032
CURRENT A.D.T.	200
A.D.T. 2032	225
P.V.	198
S.U.	20
M.U.	7
CLASS	IV
MINIMUM SOIL SUPPORT IBV	3
TRAFFIC FACTOR	0.008
DI REQUIRED	2.00
EXISTING BASE:	
9" AGGREGATE BASE	9" X 0.08 = 0.720
3" BIT CONC PLANT MIX B	3" X 0.17 = 0.510
0.75" BIT. CONC LEVEL BINDER	0.75" X 0.30 = 0.225
1.25" BIT. CONC CL I (POST 1955)	1.25" X 0.30 = 0.375
SUBTOTAL EXISTING	1.830
PROPOSED:	
COLD MILL 2.00" EXISTING SURFACE	2.00" X - 0.30 = - 0.600
COLD MILL 0.50" EXISTING SURFACE	0.50" X - 0.17 = - 0.085
2.25" HMA SURF. CSE., IL 9.5, MIX "C", N50	2.25" X 0.40 = 0.900
DI TOTAL	2.045

SUMMARY OF QUANTITIES

CONSTRUCTION TYPE CODE 0004

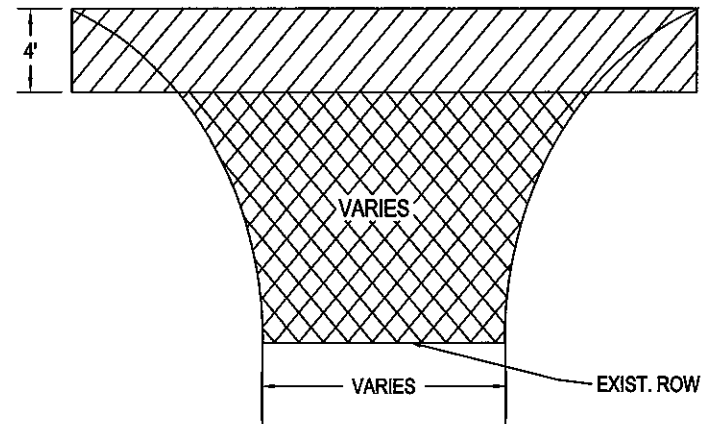
CODE NO.	ITEM	UNIT	QUANTITY
40600290	BITUMINOUS MATERIALS (TACK COAT)	POUND	9,855
40600990	TEMPORARY RAMP	SQ YD	40
* 40604050	HOT- MIX ASPHALT SURFACE COURSE, IL-9.5, MIX "C", N50	TON	2,740
40800050	INCIDENTAL HOT-MIX ASPHALT SURFACING	TON	20
44000159	HOT-MIX ASPHALT SURFACE REMOVAL, 2-1/2"	SQ YD	22,060
* 48101200	AGGREGATE SHOULDERS, TYPE B	TON	550
67100100	MOBILIZATION	L SUM	1
70100460	TRAFFIC CONTROL AND PROTECTION, STANDARD 701306	L SUM	1
70300100	SHORT TERM PAVEMENT MARKING	FOOT	2,665
70300150	SHORT TERM PAVEMENT MARKING REMOVAL	SQ FT	295
# 78001110	PAINT PAVEMENT MARKING - LINE 4"	FOOT	5,925

* INDICATES SEE SPECIAL PROVISIONS
INDICATES SPECIALTY ITEM

HMA MIXTURE REQUIREMENT TABLE

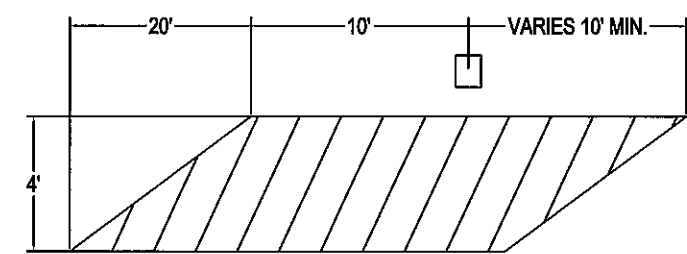
LOCATION (S):	MAINLINE	MAINLINE	INTERSECTIONS
MIXTURE USE (S) :	HMA BINDER	HMA SURFACE	HMA INCIDENTAL
BINDER GRADE (PG) :	N/A	PG 64-22	PG 64-22
DESIGN AIR VOIDS :	N/A	4.0 % @ N50	4.0 % @ N50
MIX COMPOSITION:	N/A	IL 9.5	IL 9.5
FRICTION AGGREGATE:	N/A	MIXTURE C	MIXTURE C
MIXTURE WEIGHT :	N/A	112.0 LB/SY/INCH	112.0 LB/SQ YD/INCH
QUALITY MANAGEMENT PROGRAM :	N/A	QCQA	QCQA
SUBLOT SIZE :	N/A	N/A	N/A
DENSITY TEST METHOD :	N/A	LR1030-2	SATISFACTION OF ENGINEER
MATERIAL TRANSFER DEVICE (REQUIRED):	NO	NO	NO

FAS NO.	SECTION	COUNTY	TOTAL SHEETS	SHEET NO.
339	18-00140-00-RS		3	3
PROJECT X9PU(902)				
CONTRACT # 87798				



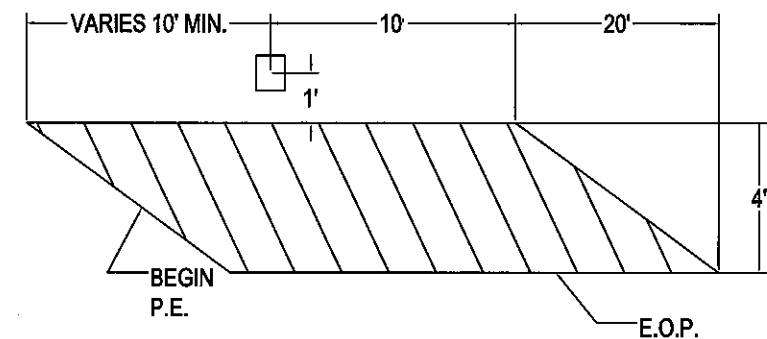
TYPICAL SIDE ROAD RETURN

1 EACH
35+00 LT & RT (1100N)



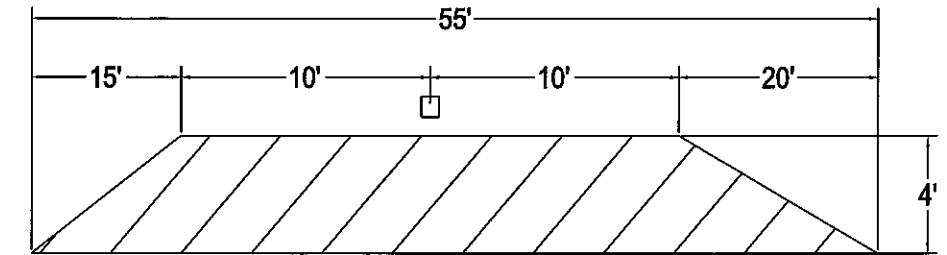
TYPICAL MAILBOX FOLLOWING

0 EACH



TYPICAL MAILBOX LEAD IN

0 EACH

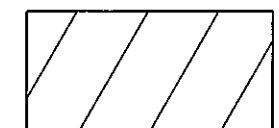


TYPICAL MAILBOX TURN OUT

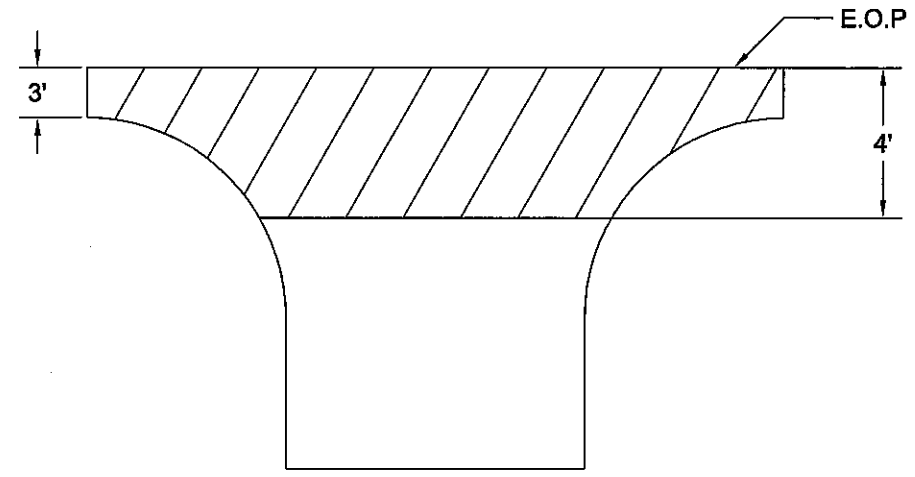
0 EACH



AREA TO BE PAID AS
INCIDENTAL BITUMINOUS SURFACING



AREA TO BE CONSTRUCTED
DURING MAINLINE PAVING OPERATIONS
SLOPE = 3/4" PER FOOT



TYPICAL PRIVATE ENTRANCE

2 EACH

41+15 LT
43+65 LT

NOTES

1. USE SAME MAINLINE MATERIAL FOR SIDE ROAD RETURNS, PRIVATE ENTRANCES AND MAILBOXES.
2. AGGREGATE SHOULDERS TO BE PLACED BEHIND SIDE ROAD RETURNS, PRIVATE ENTRANCES AND MAILBOXES AS DIRECTED BY THE ENGINEER.
3. SHORT TERM PAVEMENT MARKINGS TO BE REMOVED BY THE CONTRACTOR.
4. THE FOLLOWING APPLICATION RATES HAVE BEEN ASSUMED IN CALCULATING QUANTITIES:

AGGREGATE SHOULDERS	2.05 TON / CU YD
BIT MATL (TK CT)	0.05 LBS / SQ FT
HOT MIX ASPHALT	112 # / SQ YD / INCH
SHORT TERM PVMT MKING	4 FT / 40 FT OF APPL.