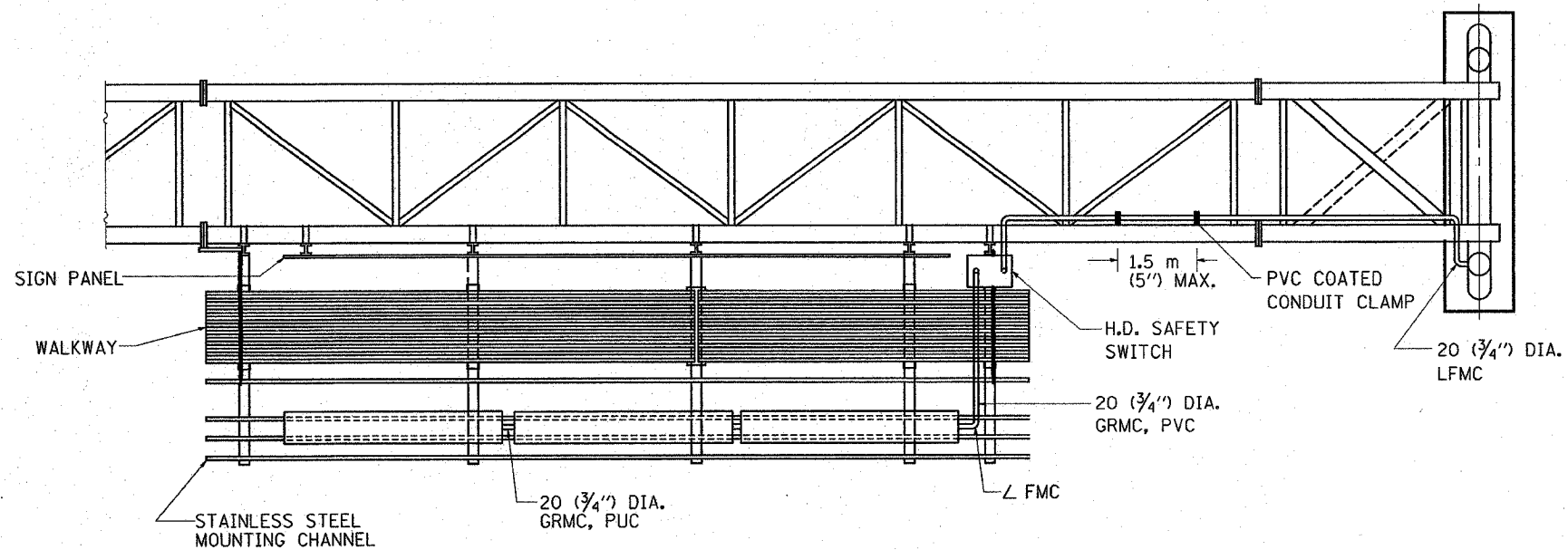
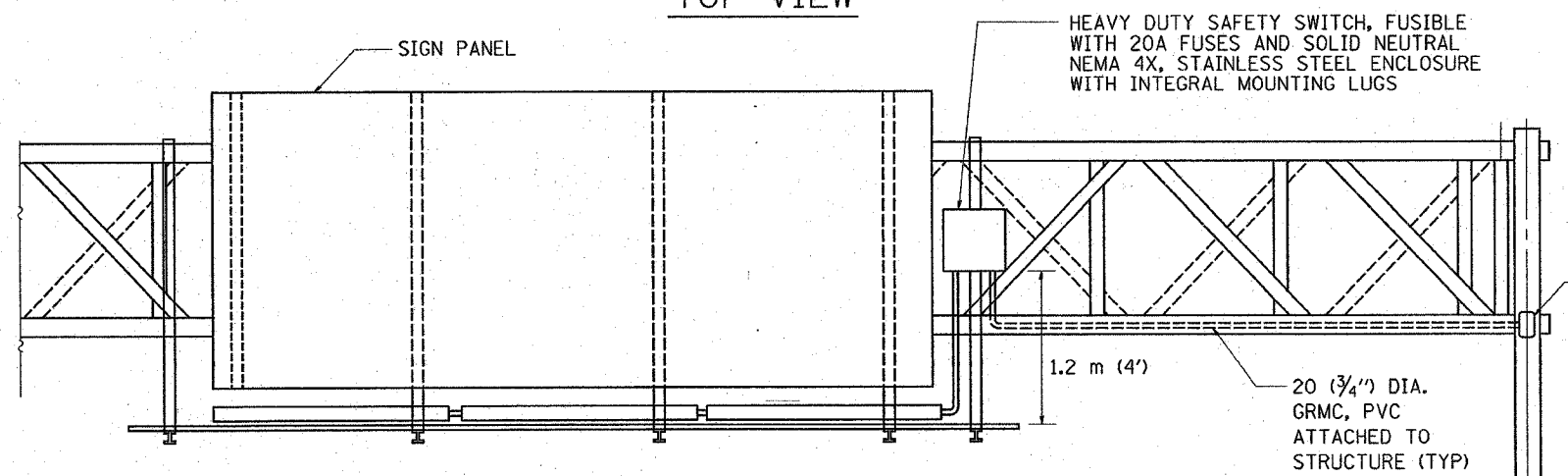


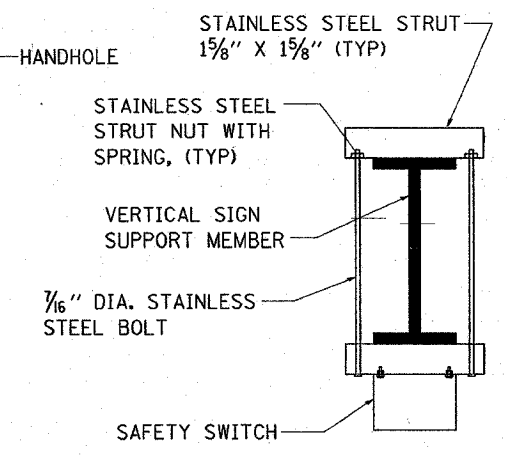
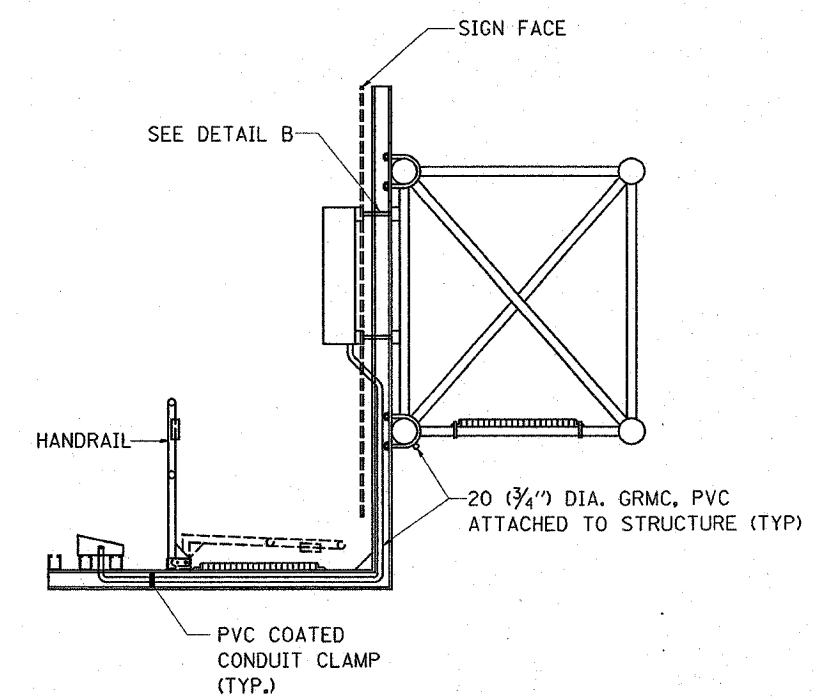
CONTRACT NO.:				
F.A. RTE.	SECTION	COUNTY	TOTAL SHEETS	SHEET NO.
101 2003-0312	Cook	976	406	
STA.		TO STA.		
FED. ROAD DIST. NO.	ILLINOIS FED. AID PROJECT			
CONTRACT NO. 62583				



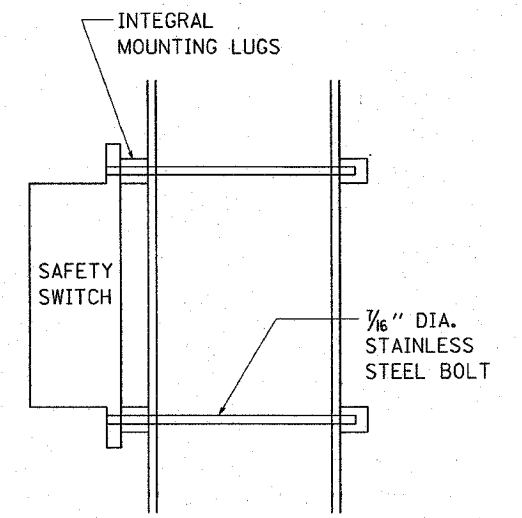
TOP VIEW



ELEVATION VIEW



TOP VIEW



SIDE VIEW

DETAIL B

REVISIONS	
NAME	DATE

ILLINOIS DEPARTMENT OF TRANSPORTATION  
 ELECTRIC CONNECTION TO SIGN STRUCTURE  
 SPAN TYPE  
 2 OF 2

SCALE: VERT.    DRAWN BY  
 DATE    HORIZ.    CHECKED BY

06:52:12 04/07/2004