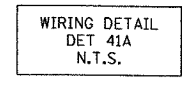
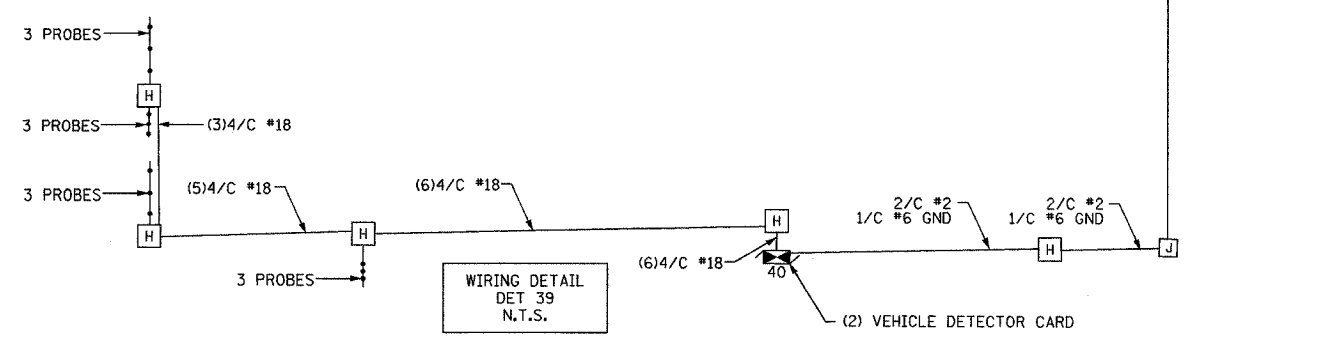
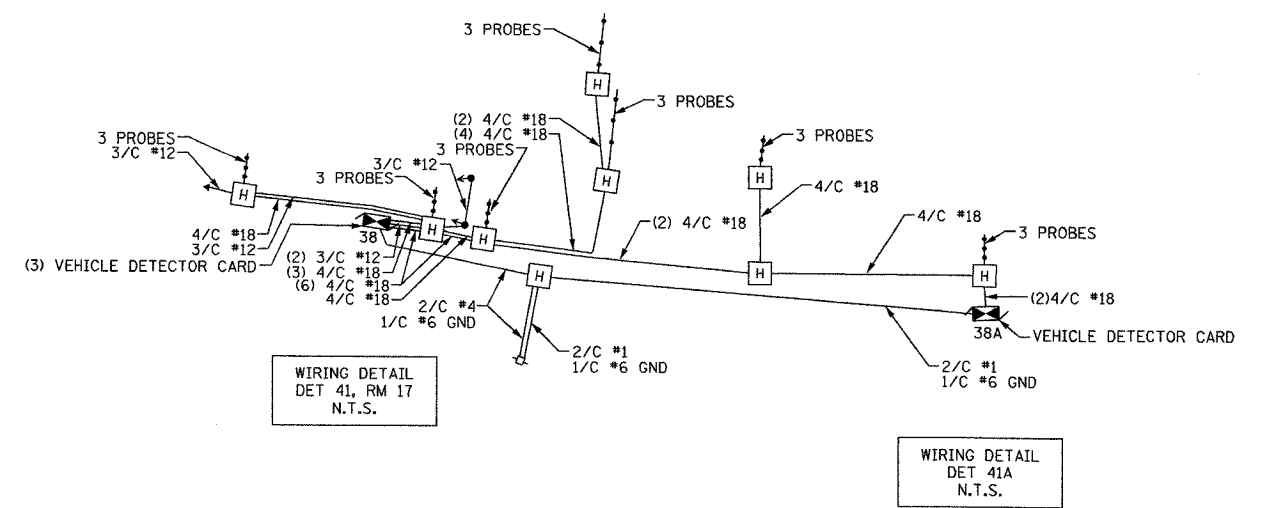
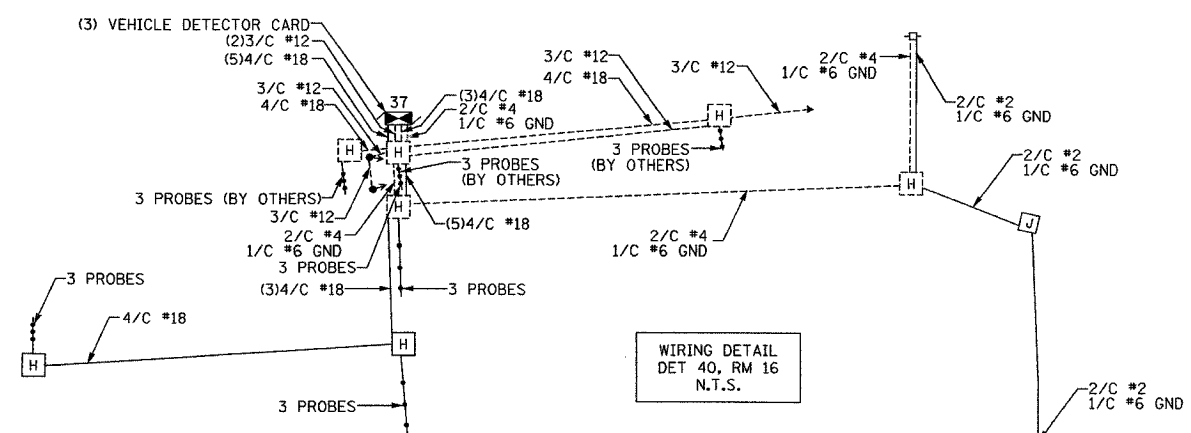
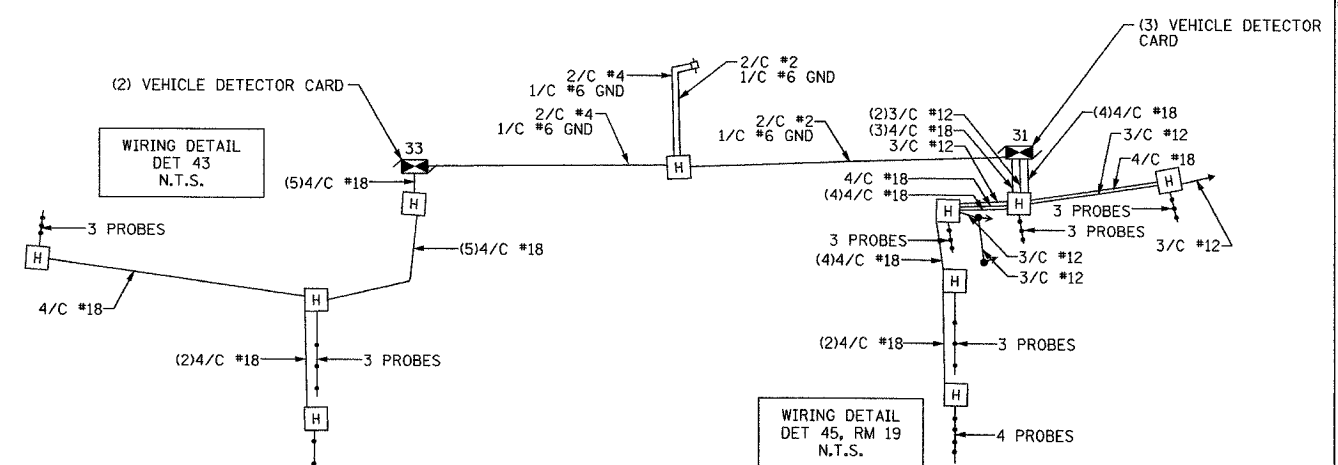
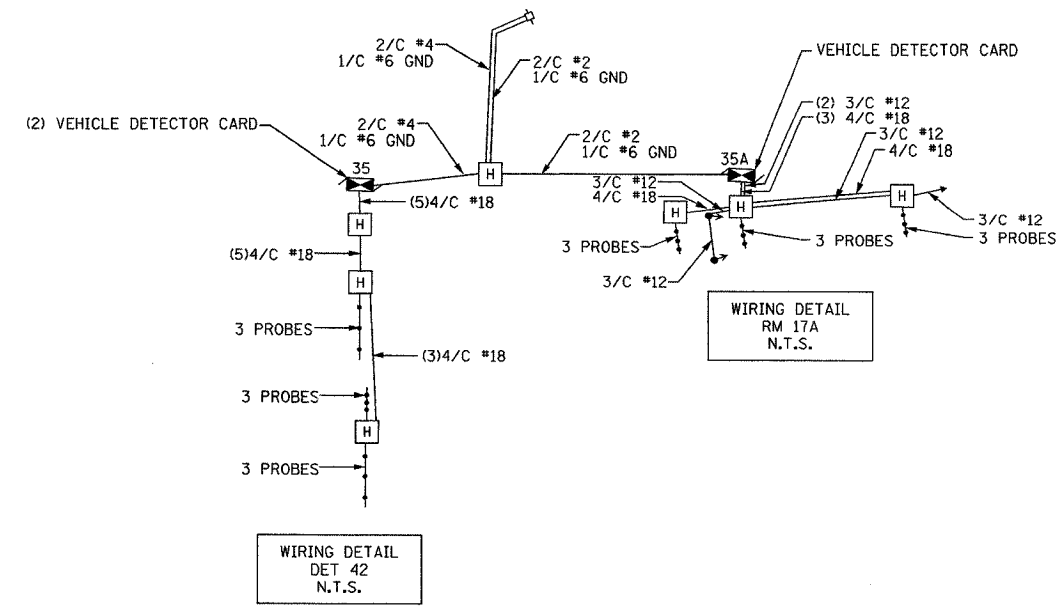


SECTION	COUNTY	TOTAL SHEETS	SHEET NO.
2003-0311	COOK	976	765
STA. 1632+00 TO STA. 1644+00		FED. ROAD DIST. NO. ILLINOIS FED. AID PROJECT	
62583			



LEGEND  
 — PROPOSED ITEMS  
 - - - BY OTHERS ITEMS

REVISIONS	
NAME	DATE

ILLINOIS DEPARTMENT OF TRANSPORTATION  
 F.A.I. 94/90 (DAN RYAN EXPRESSWAY)  
 31st STREET to I-57  
 SURVEILLANCE WIRING DIAGRAMS  
 (SHEET 5 OF 6)  
 SCALE: NOT TO SCALE  
 DATE: October 29, 2004  
 DRAWN BY: DHI  
 CHECKED BY: CJH

**Edwards and Kelcey**  
 ONE NORTH FRANKLIN  
 CHICAGO, IL 60606  
 PHONE: (312) 251-3000  
 FAX: (312) 251-3015  
 WEB: WWW.EKCORP.COM

DET-52

10/21/2004 01:36:25 PM