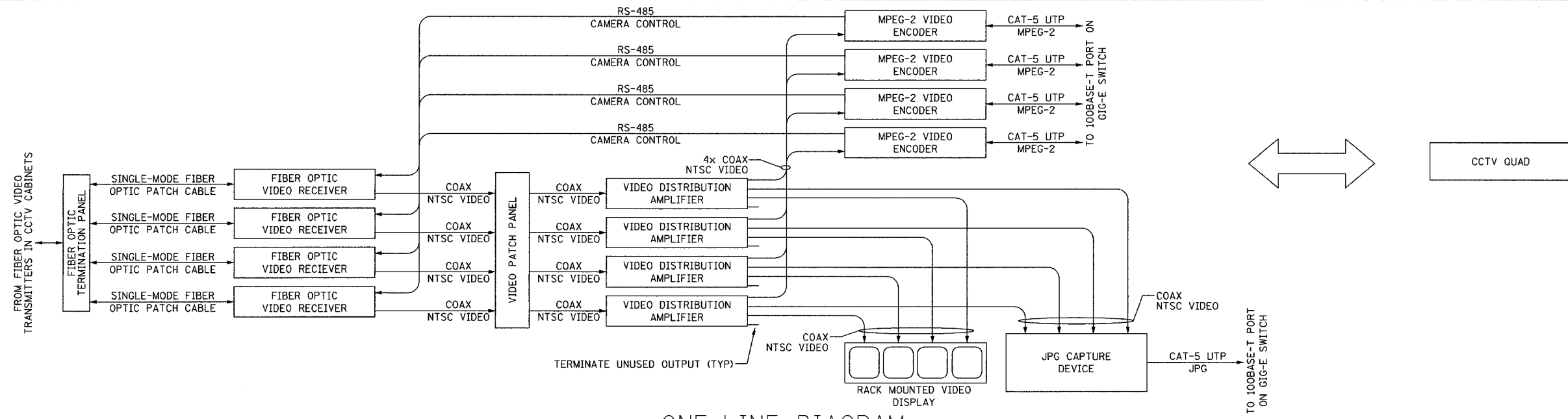
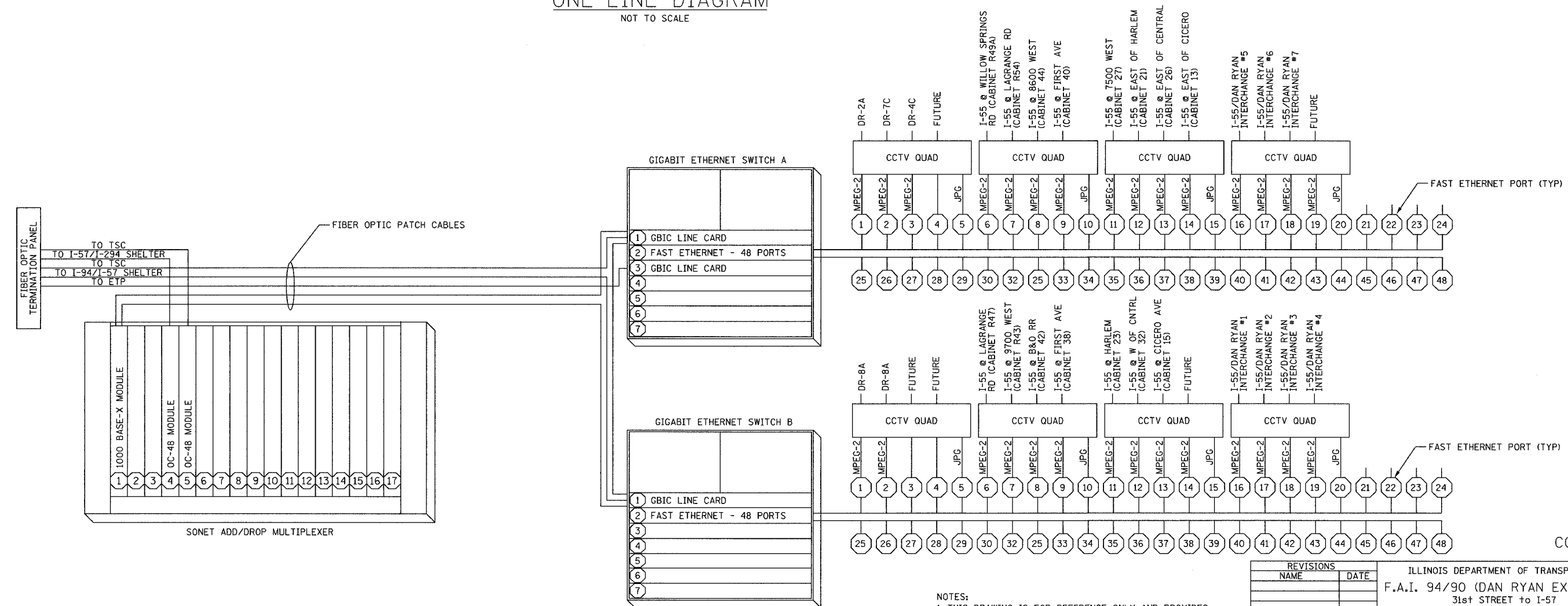


SECTION	COUNTY	TOTAL SHEETS	SHEET NO.
2003-031I	COOK	976	836
STA. TO STA.		FED. ROAD DIST. NO. ILLINOIS FED. AID PROJECT	
62583			



ONE-LINE DIAGRAM
NOT TO SCALE



EQUIPMENT INTERCONNECT DIAGRAM
NOT TO SCALE

- NOTES:
- THIS DRAWING IS FOR REFERENCE ONLY AND PROVIDES AN OVERVIEW OF THE CCTV EQUIPMENT INTERCONNECTS AT THE SHELTER.
 - CONTRACTOR SHALL PROVIDE NECESSARY POWER CONNECTIONS TO THE EQUIPMENT.
 - FOR FIBER OPTIC CABLE PATCHING AND TERMINATION DETAILS, SEE SHEETS COMM-121 THRU COMM-126.

REVISIONS	
NAME	DATE

ILLINOIS DEPARTMENT OF TRANSPORTATION
F.A.I. 94/90 (DAN RYAN EXPRESSWAY)
31st STREET to I-57

I-55 SHELTER (R01)
CCTV DISTRIBUTION SUBSYSTEM

SCALE: NOT TO SCALE
DATE: October 29, 2004

DRAWN BY: DHI
CHECKED BY: JEZ