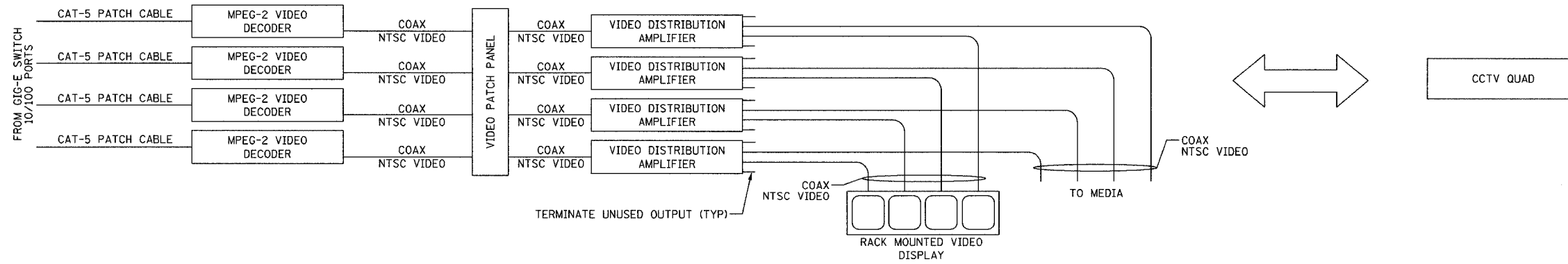
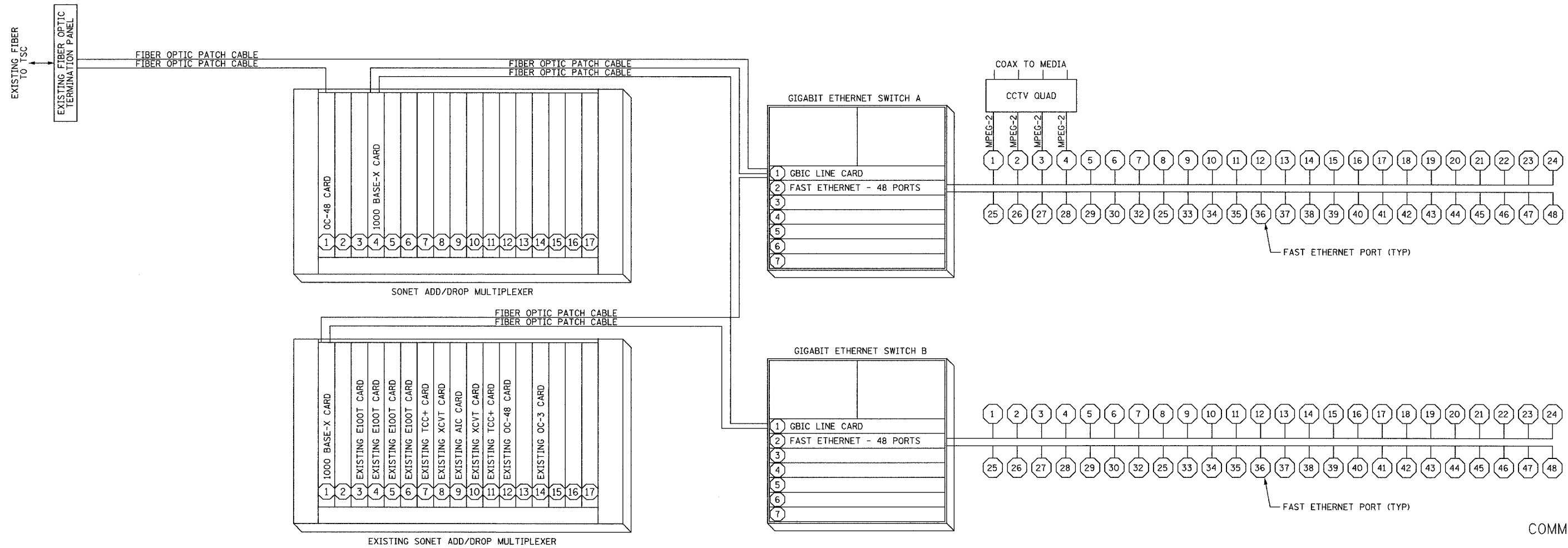


F.A.I. RTE.	SECTION	COUNTY	TOTAL SHEETS	SHEET NO.
94/90	2003-03II	COOK	976	864
STA.		TO STA.		
FED. ROAD DIST. NO.		ILLINOIS	FED. AID PROJECT	
62583				



ONE-LINE DIAGRAM  
NOT TO SCALE



EQUIPMENT INTERCONNECT DIAGRAM  
NOT TO SCALE

- NOTES:
- THIS DRAWING IS FOR REFERENCE ONLY AND PROVIDES AN OVERVIEW OF THE CCTV EQUIPMENT INTERCONNECTS AT THE SHELTER.
  - CONTRACTOR SHALL PROVIDE NECESSARY POWER CONNECTIONS TO THE EQUIPMENT.

**Edwards AND Kelcey**  
ONE NORTH FRANKLIN  
CHICAGO, IL 60606  
PHONE: (312) 251-3000  
FAX: (312) 251-3015  
WEB: WWW.EKCORP.COM

REVISIONS	
NAME	DATE

ILLINOIS DEPARTMENT OF TRANSPORTATION  
F.A.I. 94/90 (DAN RYAN EXPRESSWAY)  
31st STREET to I-57  
HILLSIDE SHELTER  
EQUIPMENT WIRING DIAGRAM  
SCALE: NOT TO SCALE  
DATE: October 29, 2004  
DRAWN BY: DHI  
CHECKED BY: JEZ

COMM-98

11/23/2004 07:29:27 AM