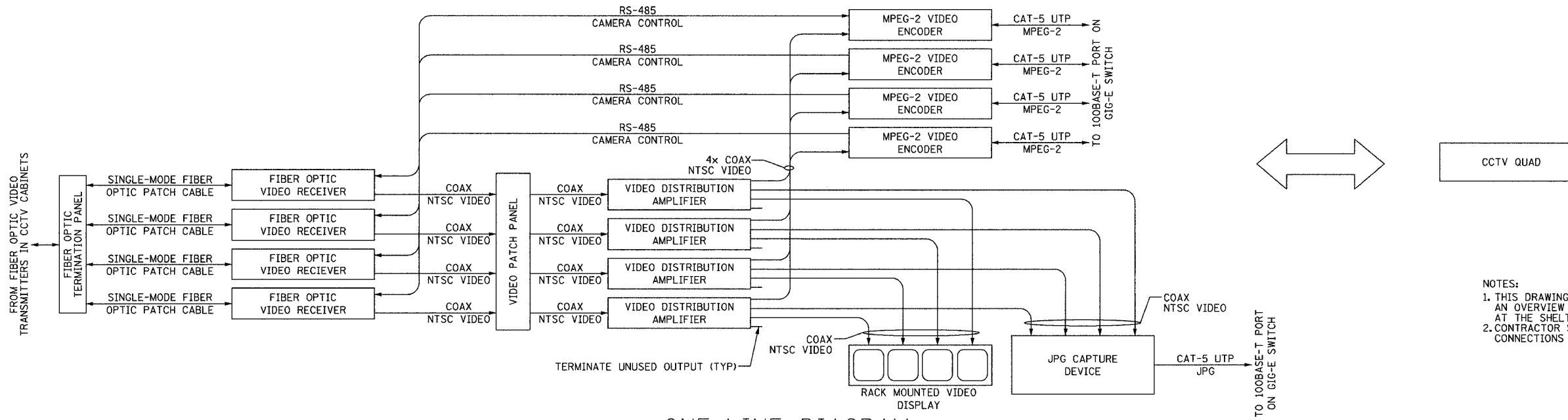
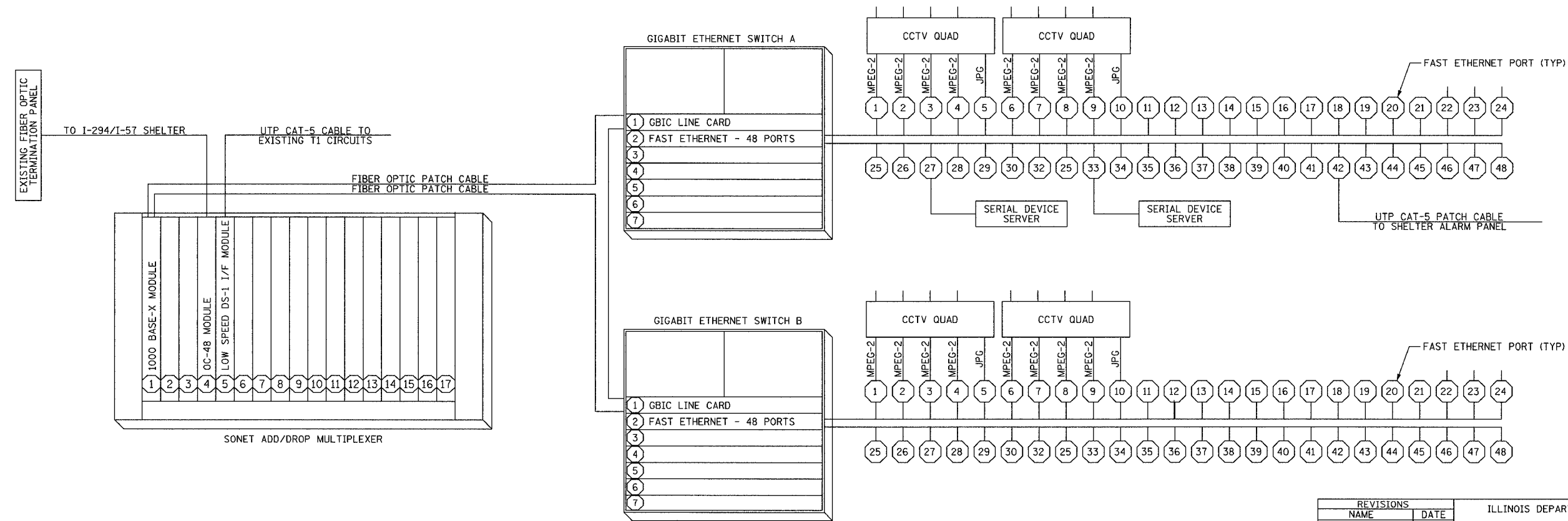


F.A.I. RTE.	SECTION	COUNTY	TOTAL SHEETS	SHEET NO.
94/90	2003-03II	COOK	976	866
STA.		TO STA.		
FED. ROAD DIST. NO. 62583		ILLINOIS FED. AID PROJECT		



ONE-LINE DIAGRAM
NOT TO SCALE

NOTES:
1. THIS DRAWING IS FOR REFERENCE ONLY AND PROVIDES AN OVERVIEW OF THE CCTV EQUIPMENT INTERCONNECTS AT THE SHELTER.
2. CONTRACTOR SHALL PROVIDE NECESSARY POWER CONNECTIONS TO THE EQUIPMENT.



EQUIPMENT INTERCONNECT DIAGRAM
NOT TO SCALE

COMM-100

REVISIONS	
NAME	DATE

ILLINOIS DEPARTMENT OF TRANSPORTATION
F.A.I. 94/90 (DAN RYAN EXPRESSWAY)
31st STREET to I-57

I-94/STATELINE SHELTER
WIRING DIAGRAM

SCALE: NOT TO SCALE
DATE: October 29, 2004
DRAWN BY: DHI
CHECKED BY: JEZ