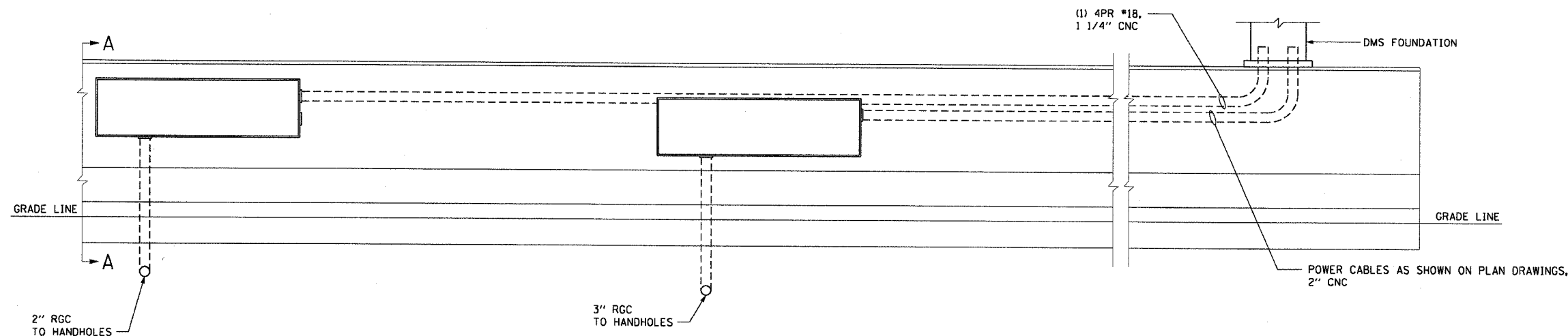


F.A.I. RTE.	SECTION	COUNTY	TOTAL SHEETS	SHEET NO.
90/94	2003-0311	COOK	976	897
STA.	TO STA.			
FED. ROAD DIST. NO. 1 ILLINOIS FED. AID PROJECT				

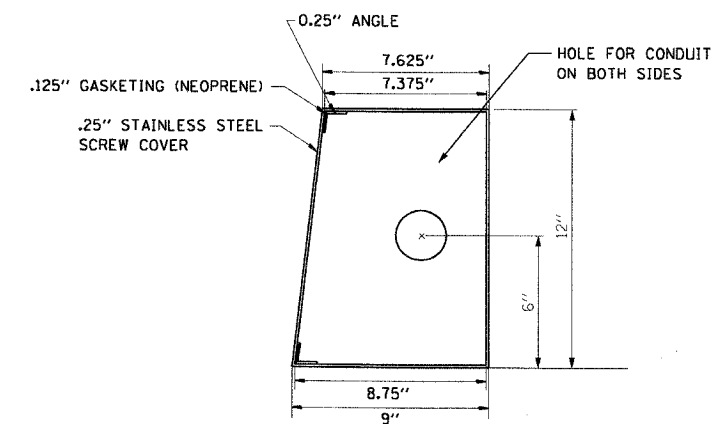
62583

**NOTES:**

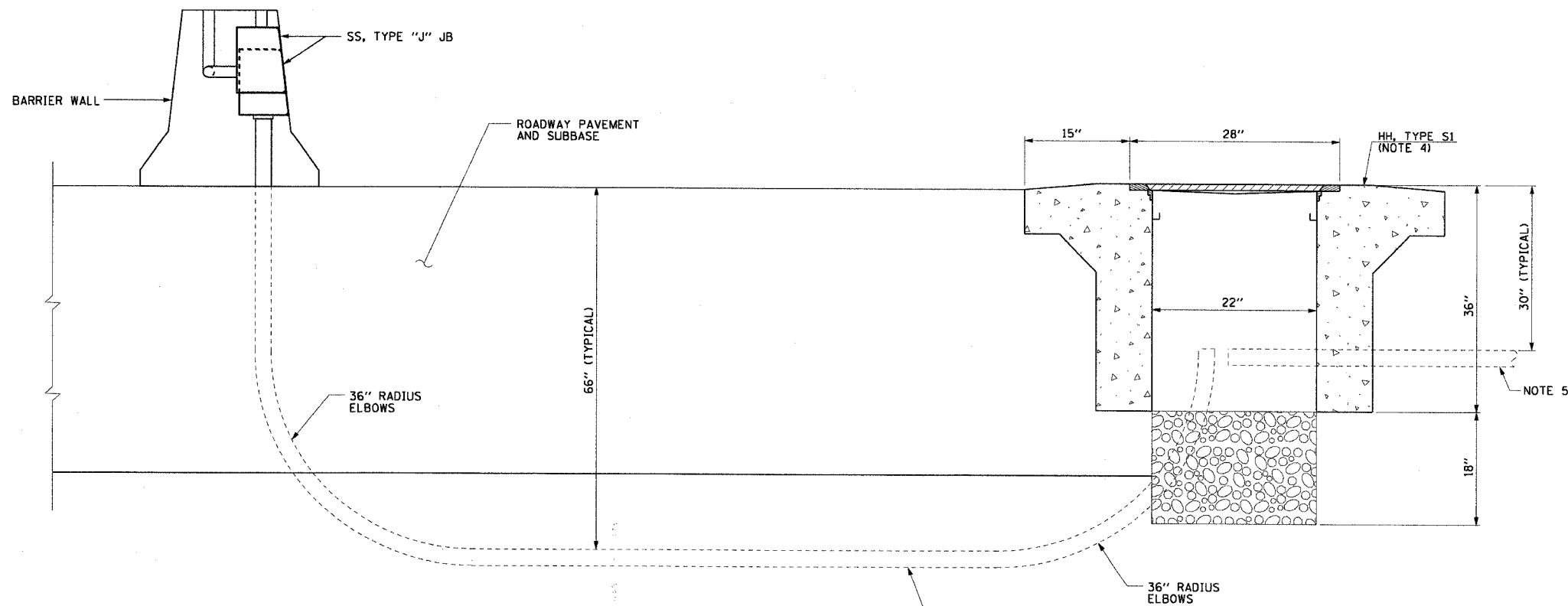
- SEE DRAWINGS ME-01 AND ME-02 FOR ELECTRICAL SYMBOLS AND ABBREVIATIONS.
- ALL WELDS MUST BE CONTINUOUS AND LEAK PROOF. BOX AND COVER MUST BE .25" TYPE 316 STAINLESS STEEL.
- ALL CONDUIT AND JUNCTION BOXES SHOWN IN BARRIER WALLS OR UNDER PAVEMENT ARE FURNISHED AND INSTALLED BY OTHERS UNDER A SEPARATE CONTRACT. ALL ELECTRIC CABLES ARE FURNISHED AND INSTALLED UNDER THIS CONTRACT.
- HANDHOLE AND CONDUIT ENTRY CONFIGURATION IS TYPICAL. DEPENDING ON LOCATION HH MAY BE INSTALLED IN SHOULDER OR IN GRASS OUTSIDE OF THE ROADWAY CURB AND GUTTER. WHEN TWO HANDHOLES ARE SHOWN ON THE PLAN SHEETS, DMS-01 THROUGH DMS-09, ONE CONDUIT WILL BE INSTALLED IN EACH HANDHOLE TO KEEP POWER AND CONTROL CABLES SEPARATE.
- CONDUIT AND CABLE SIZES AS SHOWN ON THE PLAN SHEETS DMS-01 THROUGH DMS-09.



1 BARRIER WALL DUCT DETAIL ELEVATION  
DMS-10 NOT TO SCALE



3 SPECIAL JUNCTION BOX  
DMS-10 TYPE "J" - SIDE VIEW  
NOTE 2



2 SECTION A-A  
DT-01

**CTE ENGINEERS**  
CONSOER TOWNSEND ENVIRODYNE ENGINEERS, INC.  
303 EAST WACKER DRIVE, SUITE 600  
CHICAGO, ILLINOIS 60601-5202, PHONE: (312) 938-0300

REVISIONS	
NAME	DATE

ILLINOIS DEPARTMENT OF TRANSPORTATION  
F.A.I. 90/94 (DAN RYAN EXPRESSWAY)  
31st STREET TO I-57  
DUCT DETAIL FOR CANTILEVER MOUNTED  
DMS (JUNCTION BOX IN BARRIER WALL)  
SCALE: NOT TO SCALE DRAWN BY: KCM  
DATE: October 29, 2004 CHECKED BY: WDS

DT-02

10/15/2004 09:46:35 AM