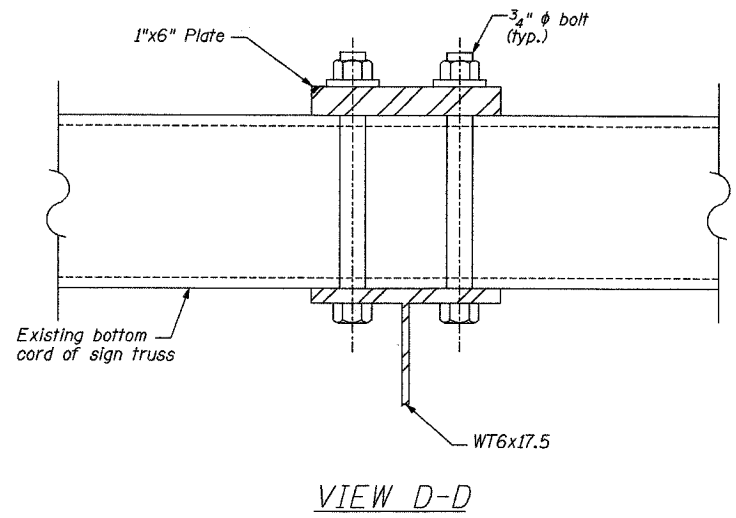
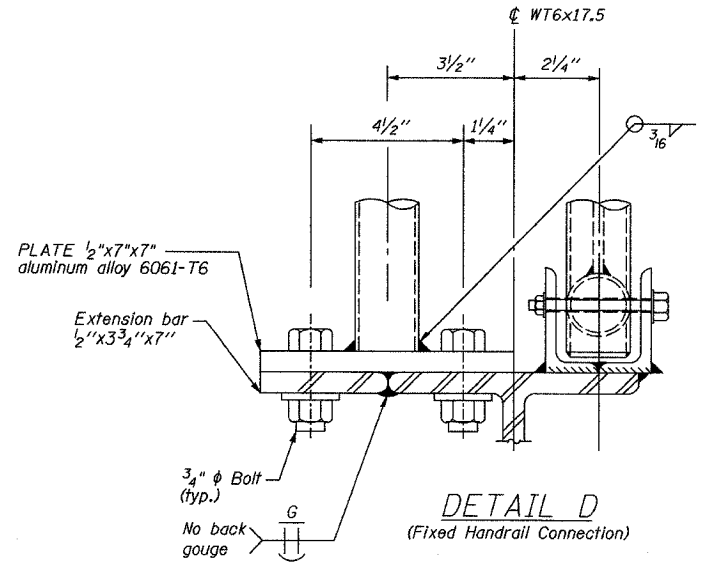


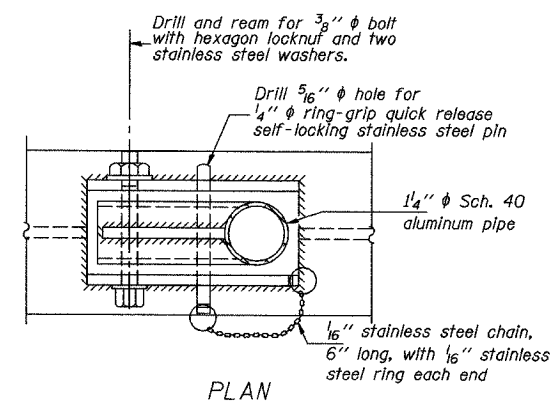
F.A.I. RTE.	SECTION	COUNTY	TOTAL SHEETS	SHEET NO.
94/90	2003-0311	COOK	976	905
STA.	TO STA.			
FED. ROAD DIST. NO.	ILLINOIS FED. AID PROJECT			
62583				



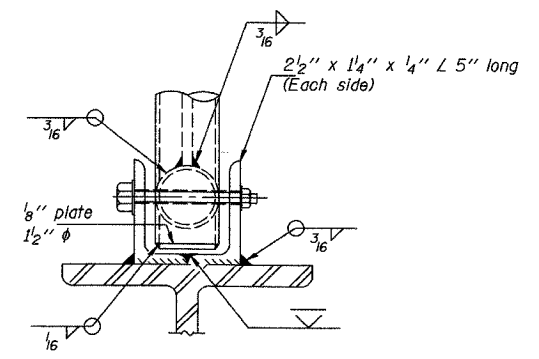
VIEW D-D



DETAIL D  
(Fixed Handrail Connection)



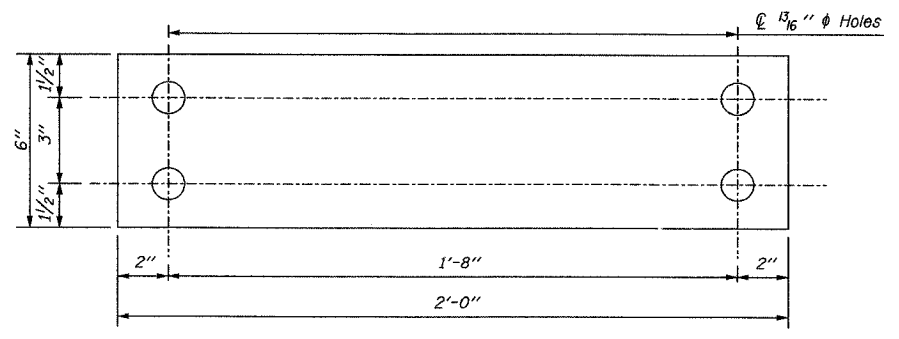
PLAN



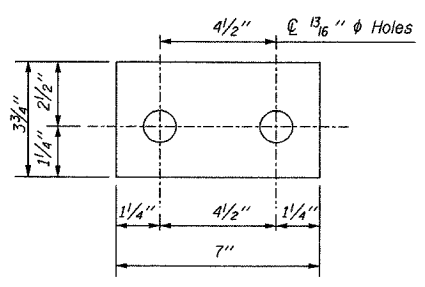
FRONT ELEVATION

See "ELEVATION" at right for dimensions.

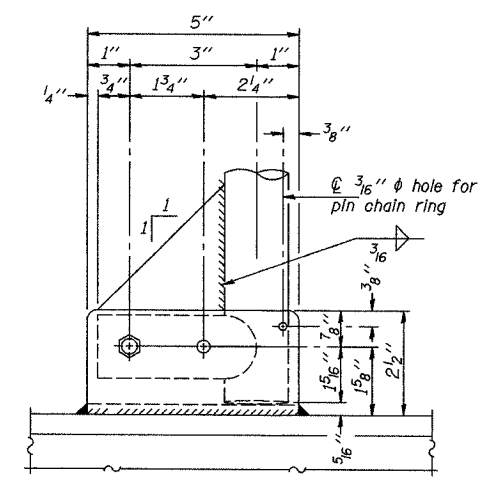
Extrusions may be used in lieu of the details shown, with approval of the Engineer.



1" WALKWAY CONNECTION PLATE  
(AT WT 6X17.5 & BOTTOM CHORD)

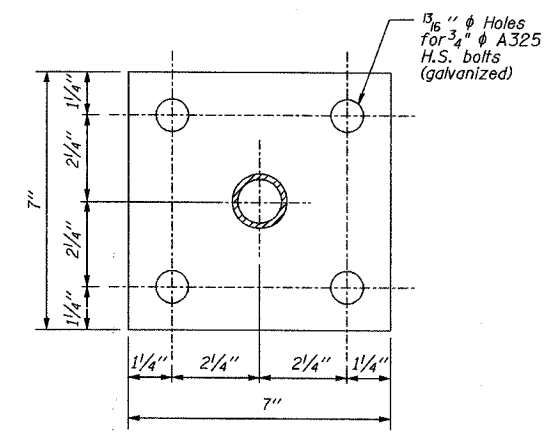


1/2" RAILING CONNECTION PLATE  
(AT WT 6X17.5 & EDGE POST)

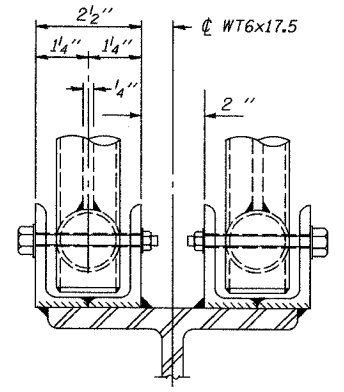


SIDE ELEVATION

DETAIL C



1/2" ALUMINUM BASE PLATE  
(AT BOTTOM OF RAILING POST)



ELEVATION  
(At Handrail Joint)

**Edwards AND Kelcey**  
 ONE NORTH FRANKLIN  
 CHICAGO, IL 60606  
 PHONE: (312) 251-3000  
 FAX: (312) 251-3015  
 WEB: WWW.EKCORP.COM

REVISIONS	
NAME	DATE

DT-10  
 ILLINOIS DEPARTMENT OF TRANSPORTATION  
 F.A.I. 94/90 (DAN RYAN EXPRESSWAY)  
 31st STREET to I-57  
 OVERHEAD DYNAMIC MESSAGE SIGN (DMS-08)  
 CONNECTION DETAILS  
 SCALE: NONE  
 DATE: October 29, 2004  
 DRAWN BY: RLK  
 CHECKED BY: JAP

10/15/2004 10:33:42 AM P:\030009\035\115\road\mes20\02a.dwg