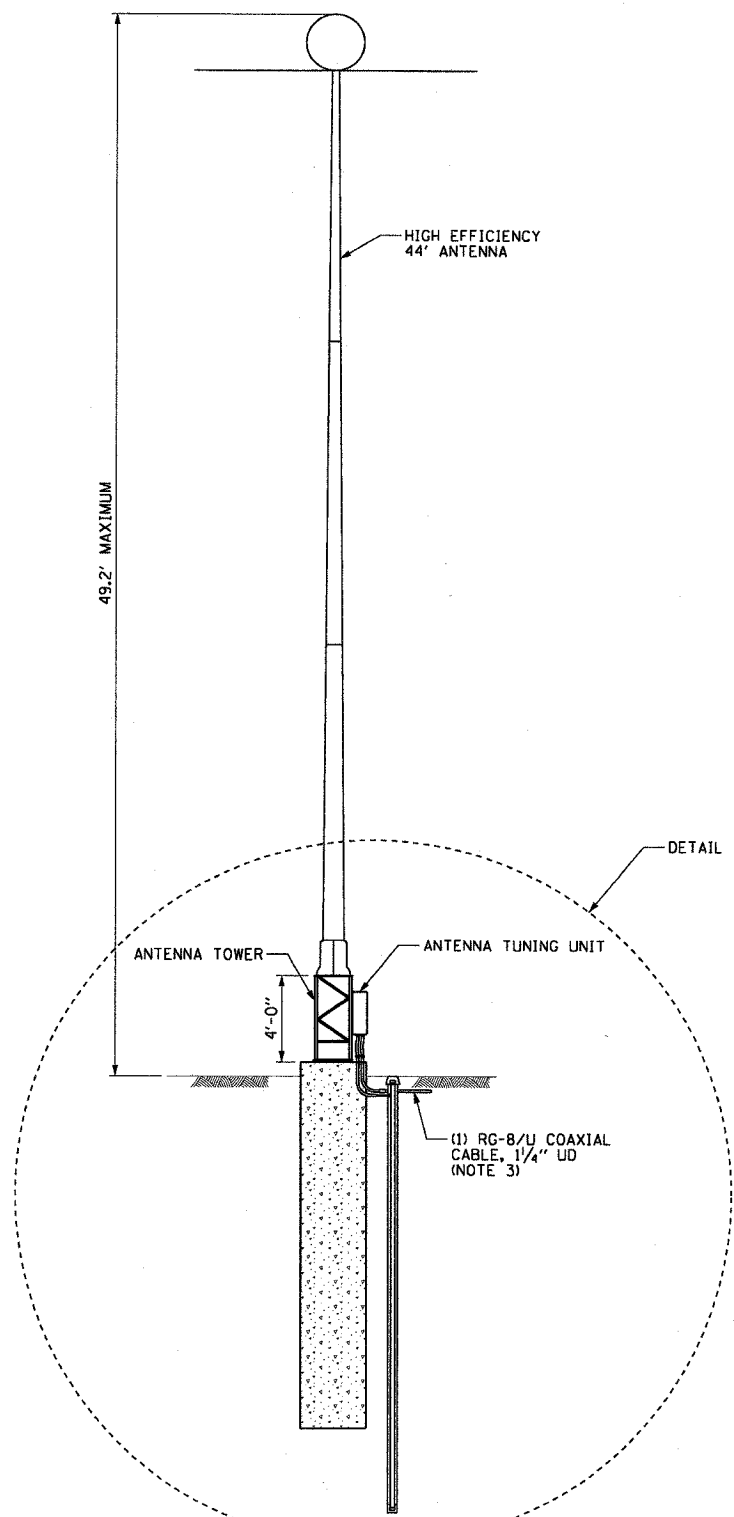


F.A.I. RTE.	SECTION	COUNTY	TOTAL SHEETS	SHEET NO.
90/94	2003-0311	COOK	976	123
STA.	TO STA.			
FED. ROAD DIST. NO. 1	ILLINOIS	FED. AID PROJECT		

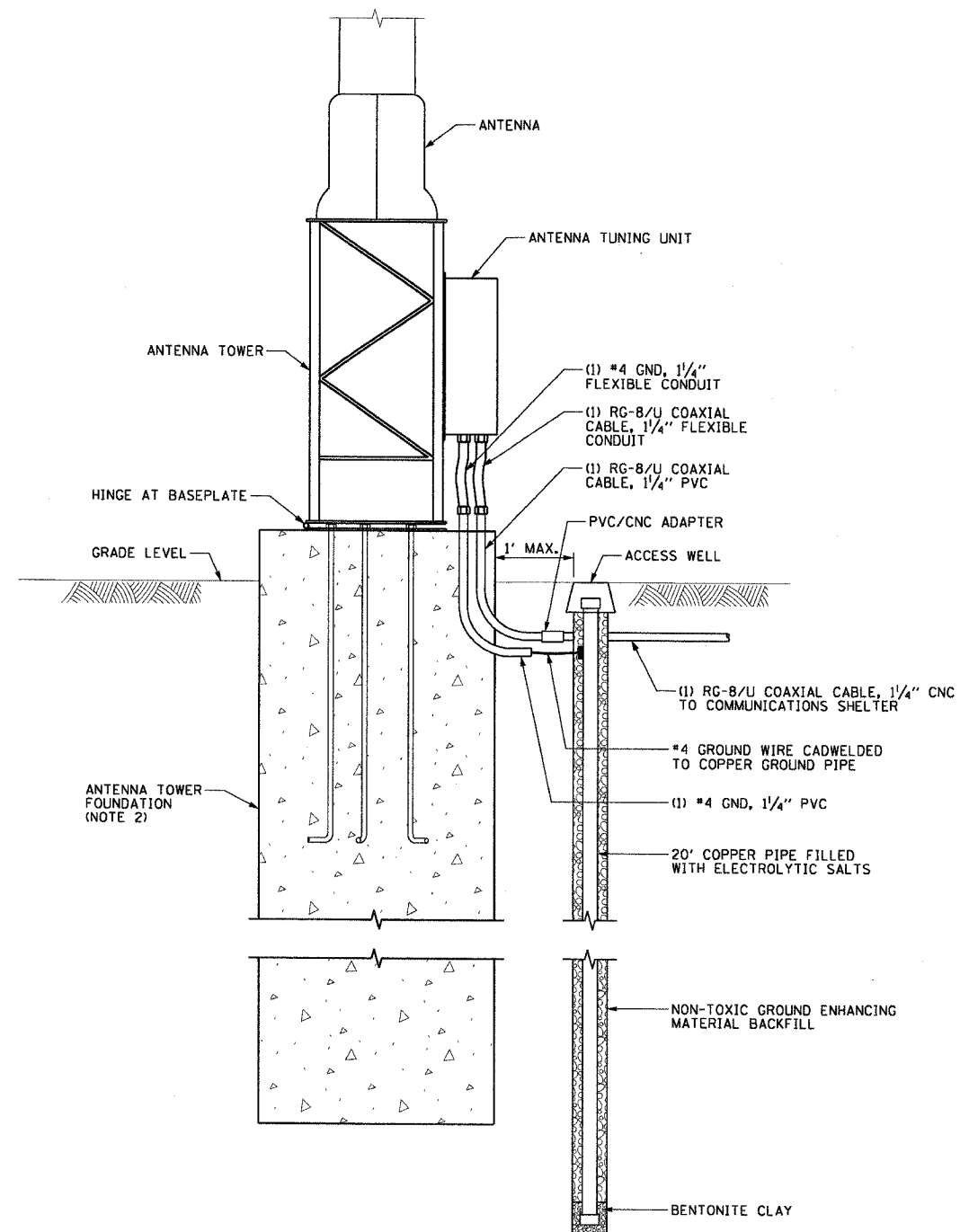
62583

NOTES:

- SEE DRAWINGS ME-01 AND ME-02 FOR ELECTRICAL SYMBOLS AND ABBREVIATIONS.
- SEE DRAWING DT-23 FOR FOUNDATION DETAILS.
- CONDUIT AND CABLE TO COMMUNICATIONS SHELTER AS SHOWN ON THE PLAN DRAWINGS.



1 SITE LAYOUT
DT-19 NOT TO SCALE



2 ANTENNA AND GROUNDING DETAIL
DT-19 NOT TO SCALE

REVISIONS	
NAME	DATE

ILLINOIS DEPARTMENT OF TRANSPORTATION
F.A.I. 90/94 (DAN RYAN EXPRESSWAY)
31st STREET TO I-57
**HIGHWAY ADVISORY RADIO TRANSMITTER
STATION SITE DETAILS**

SCALE: NONE
DATE: October 29, 2004
DRAWN BY: CJM
CHECKED BY: BMW