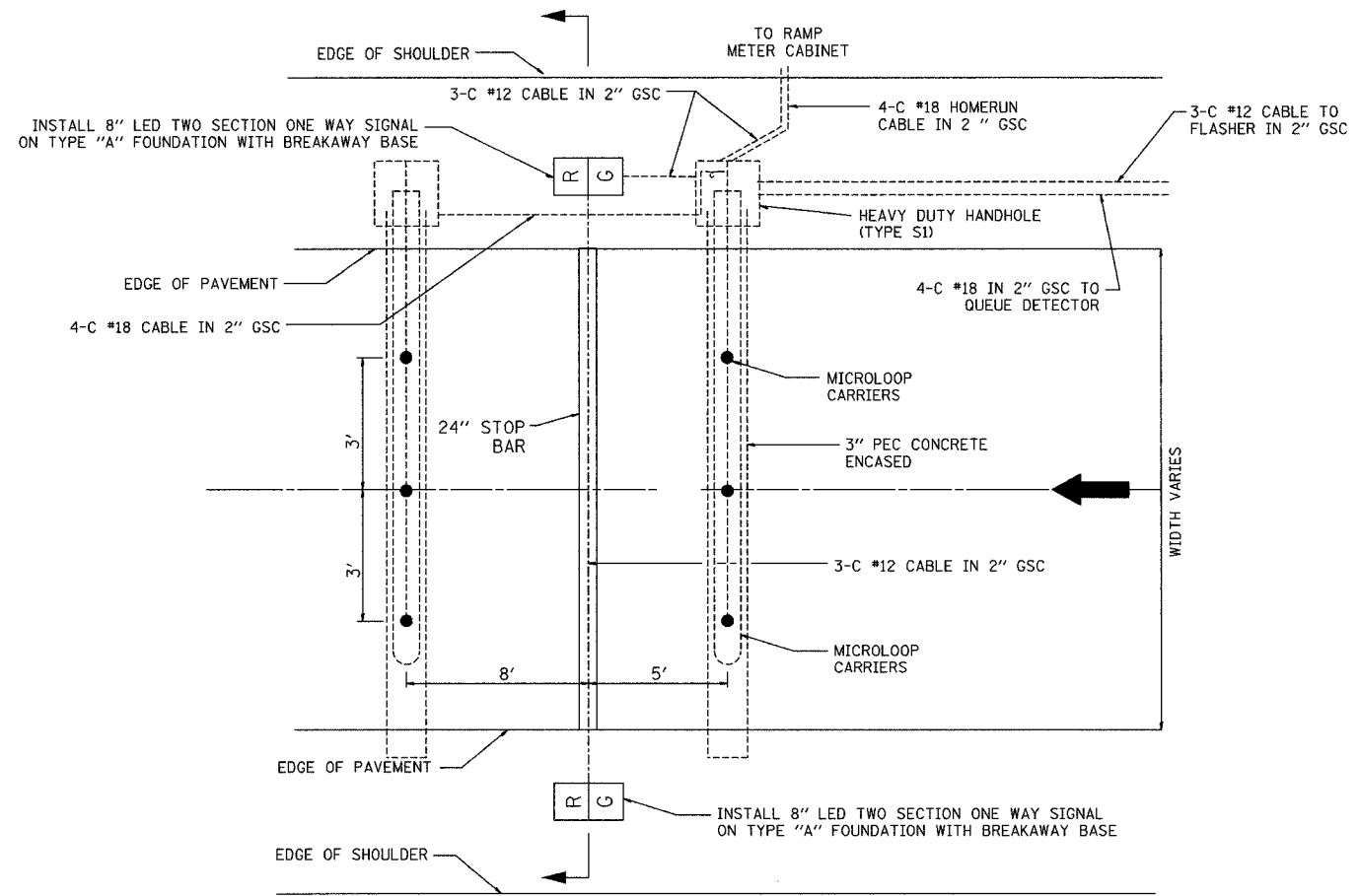
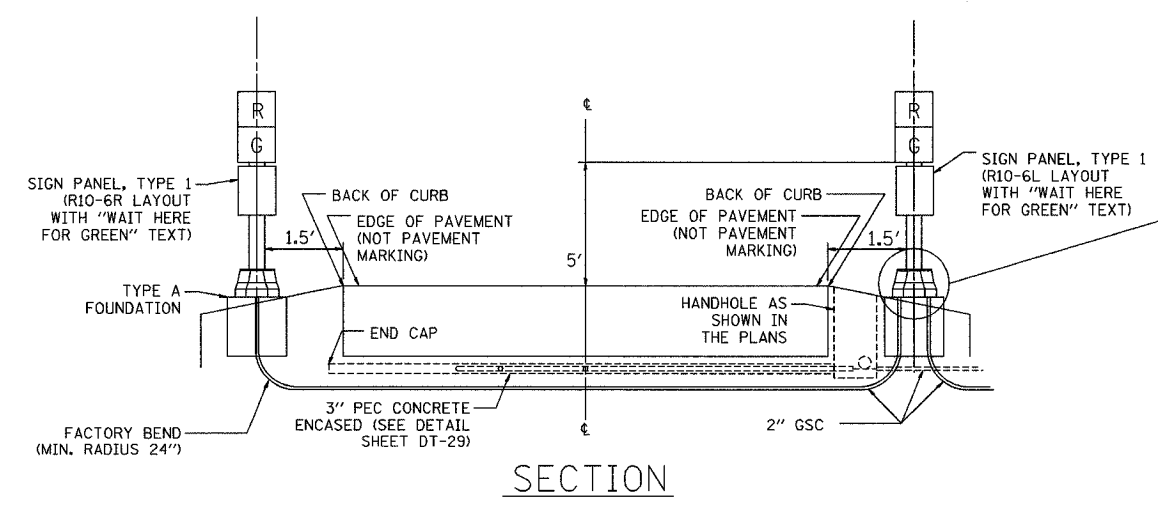


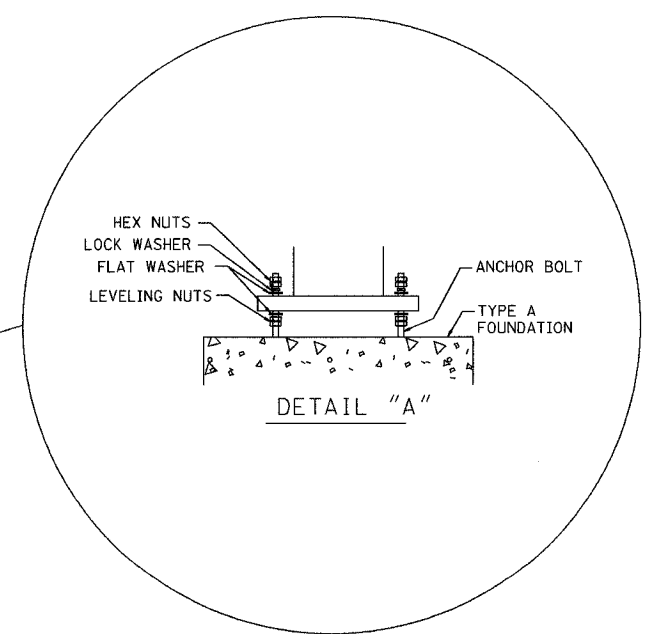
SECTION	COUNTY	TOTAL SHEETS	SHEET NO.
2003-0311	COOK	976	939
STA.	TO STA.		
FED. ROAD DIST. NO.	ILLINOIS	FED. AID PROJECT	
62583			



TYPICAL SIGNAL AND LOOP LAYOUT (TYPE I)



SECTION



TYPICAL BREAKWAY POLE BASE

**Edwards  
AND Kelcey**  
ONE NORTH FRANKLIN  
CHICAGO, IL 60606  
PHONE: (312) 251-3000  
FAX: (312) 251-3015  
WEB: WWW.EKCORP.COM

REVISIONS	
NAME	DATE

ILLINOIS DEPARTMENT OF TRANSPORTATION  
F.A.I. 94/90 (DAN RYAN EXPRESSWAY)  
31st STREET to I-57  
TYPICAL RAMP METERING INSTALLATION  
TYPE I (FOR RAMPS WITHOUT CURBS  
AND GUTTERS)  
SCALE: NTS  
DATE: October 29, 2004  
DRAWN BY: NB  
CHECKED BY: CTC

DT-33

P:\030009\0311\11s\cadd\DT-33.dwg 11/23/2004 10:50:53 AM