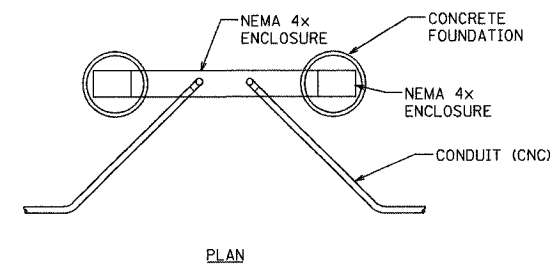
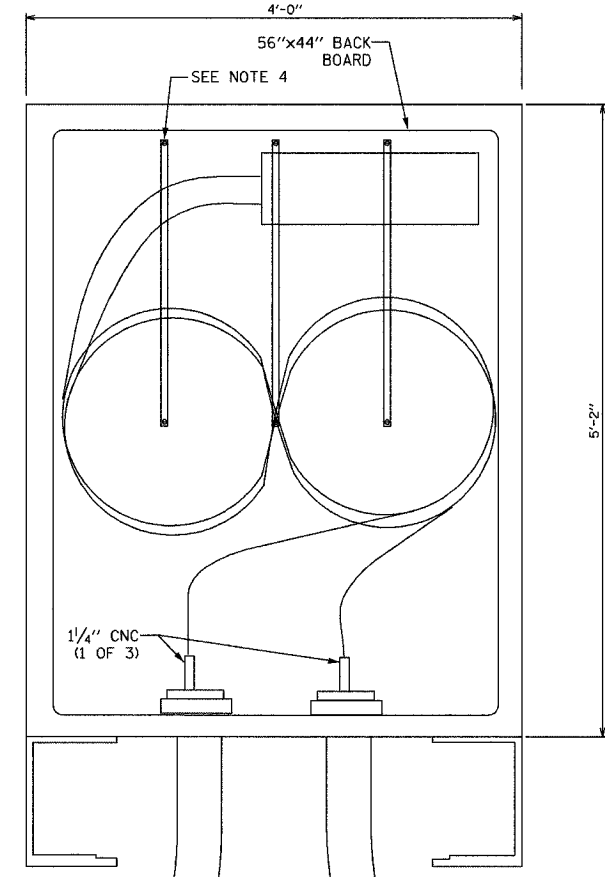
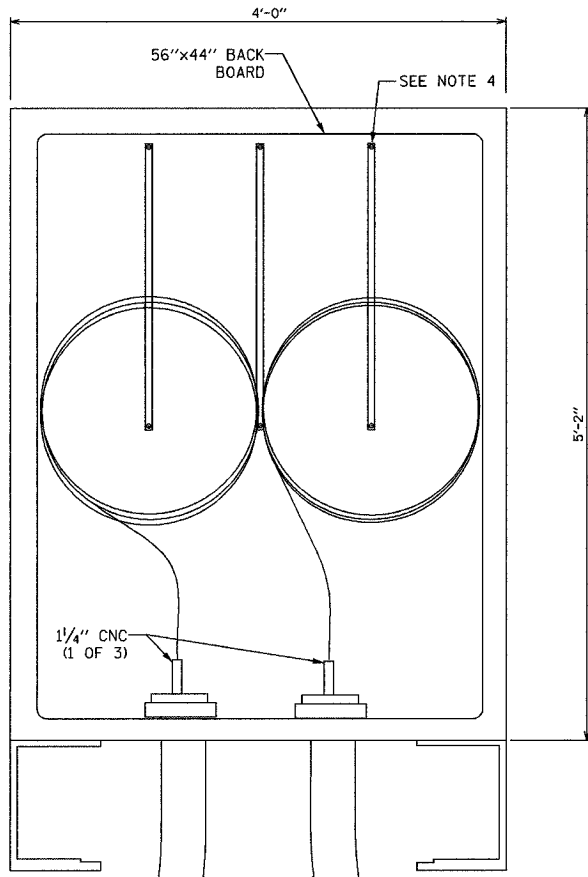
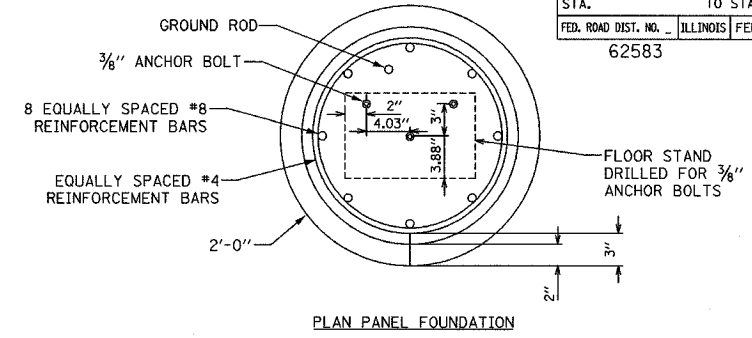


SECTION	COUNTY	TOTAL SHEETS	SHEET NO.
2003-03II	COOK	976	949
STA.	TO STA.		
FED. ROAD DIST. NO.	ILLINOIS	FED. AID PROJECT	
62583			



STAINLESS STEEL TWO-DOOR TYPE 4X ENCLOSURE OR APPROVED EQUAL (62" X 48" X 12")

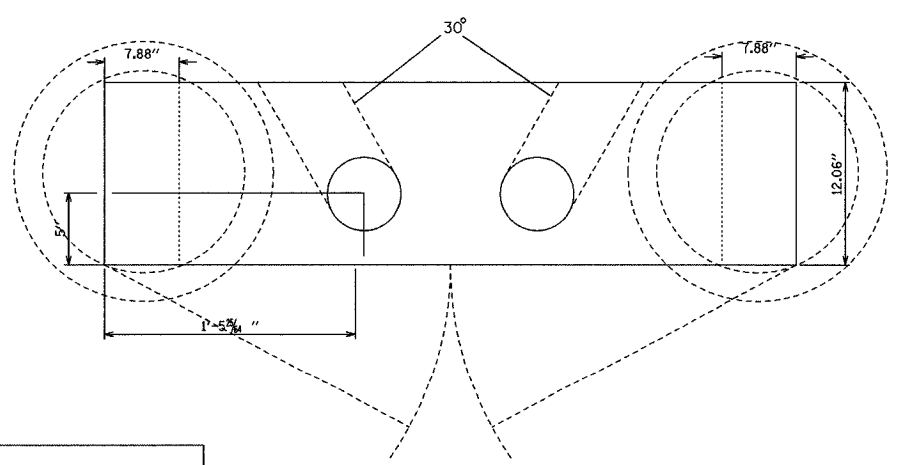
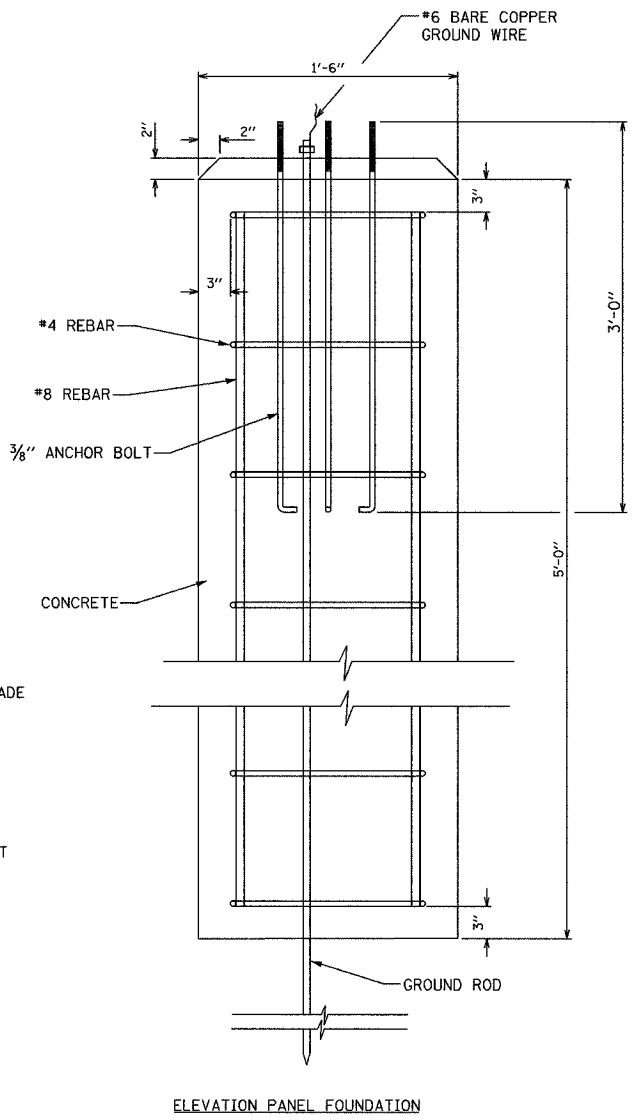
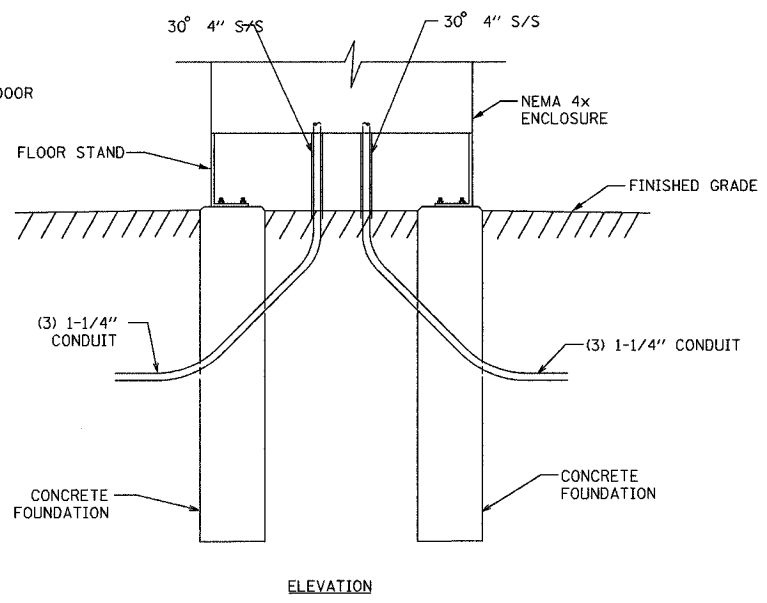
STAINLESS STEEL SLEEVE FACTORY BEND 4.5" OUTSIDE DIAMETER WITH 36" RADIUS

PULL POINT - NO SPLICE

STAINLESS STEEL TWO-DOOR TYPE 4X ENCLOSURE OR APPROVED EQUAL (62" X 48" X 12")

STAINLESS STEEL SLEEVE FACTORY BEND 4.5" OUTSIDE DIAMETER WITH 36" RADIUS

PULL POINT - WITH SPLICE



- NOTES:
1. THREADED END OF ANCHOR BOLT GALVANIZED AT LEAST 6 INCHES.
  2. ALL METALLIC ELEMENTS SHALL BE GROUNDED IN ACCORDANCE WITH THE NATIONAL ELECTRICAL CODE (NEC) 2002, ARTICLE 250, GROUNDING.
  3. GROUND ROD SHALL BE PLACED IN ONE CONCRETE FOUNDATION ONLY.
  4. CONTRACTOR SHALL INSTALL STANDARD MANHOLE CABLE RACKS AND CABLE HOOKS TO HOLD CABLE IN CABINET. SECURE CABLES WITH TY-WRAPS.

**Edwards AND Kelcey**

ONE NORTH FRANKLIN  
CHICAGO, IL 60606  
PHONE (312) 251-3000  
FAX (312) 251-3015  
WEB: WWW.EKCORP.COM

REVISIONS	
NAME	DATE

ILLINOIS DEPARTMENT OF TRANSPORTATION  
F.A.I. 94/90 (DAN RYAN EXPRESSWAY)  
31st STREET to I-57

PULLING PEDESTAL  
DETAIL

SCALE: NOT TO SCALE  
DATE: October 29, 2004

DRAWN BY: DHI  
CHECKED BY: JEZ

DT-42

11/23/2004 10:50:55 AM