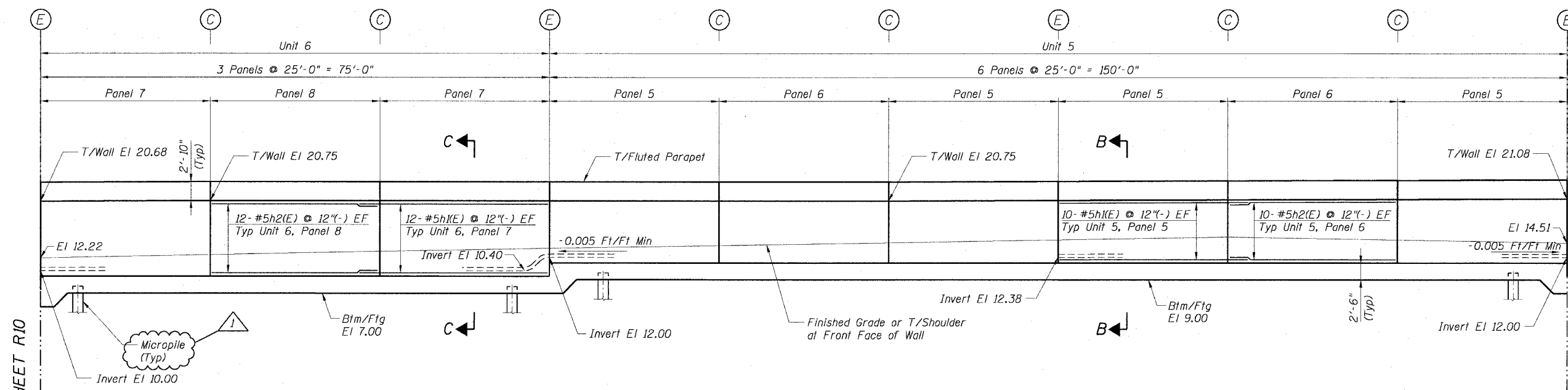


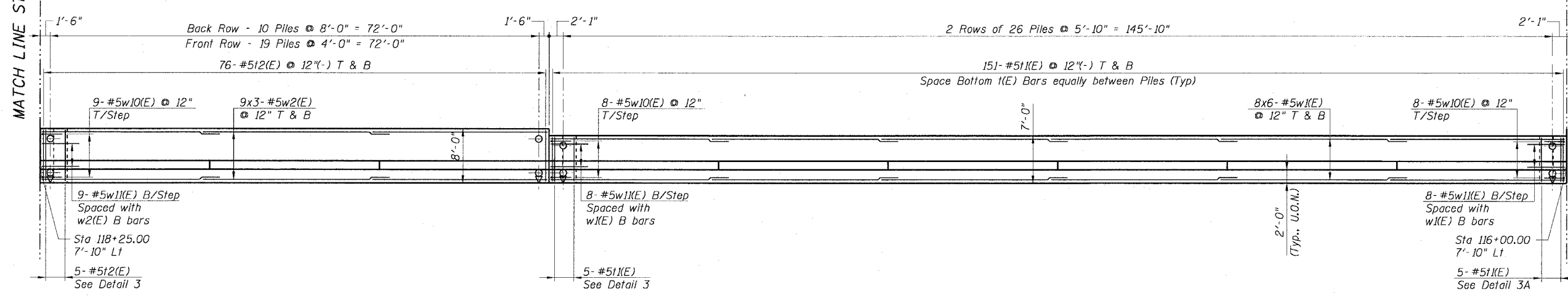
STATE OF ILLINOIS  
DEPARTMENT OF TRANSPORTATION

F.A.I. RTE.	SECTION	COUNTY	TOTAL SHEETS	SHEET NO.
90/94	2021-922PT.1-AC	COOK	460	236
STA.	TO STA.			
FED. ROAD DIST. NO. 1	ILLINOIS	FED. AID PROJECT		

62693



**FRONT FACE ELEVATION**  
(Looking East)  
(Rustication not shown for clarity)



**FOOTING PLAN**

MATCH LINE STA 118+25.00 SEE SHEET R10

MATCH LINE STA 116+00.00 SEE SHEET R8

REVISIONS	
NAME	DATE
MK	01/06/05

01/06/2005 02:46:27 PM