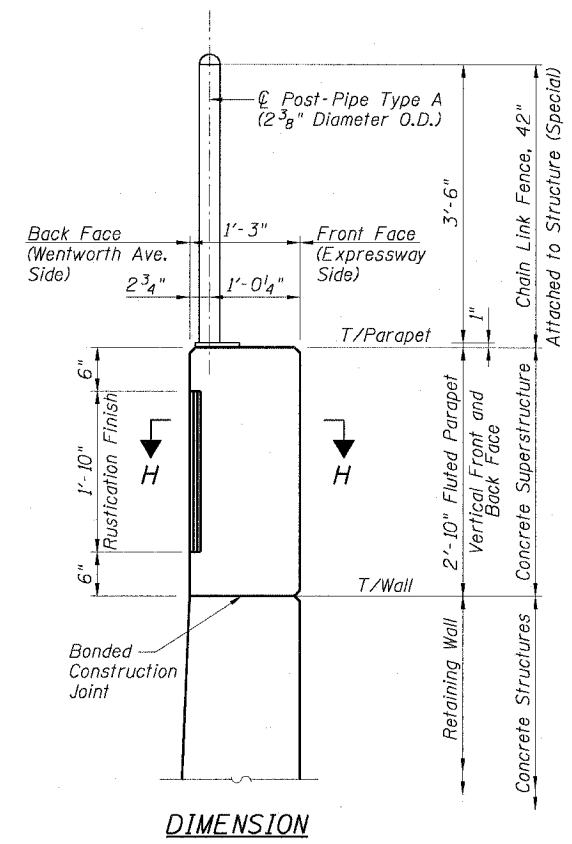


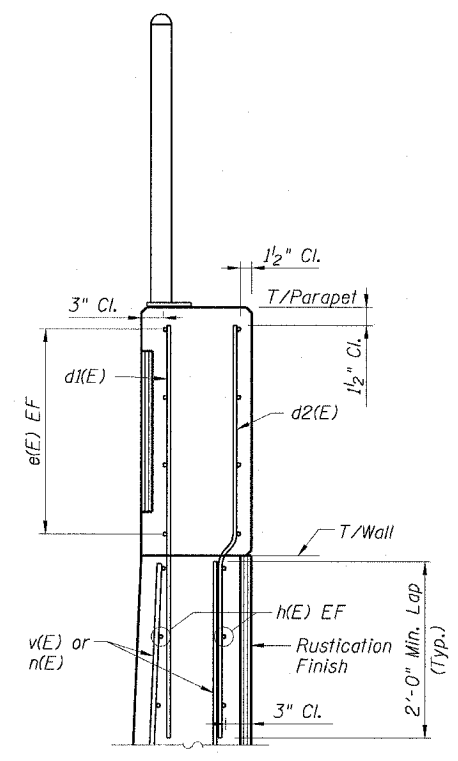
STATE OF ILLINOIS  
DEPARTMENT OF TRANSPORTATION

F.A.I. RTE.	SECTION	COUNTY	TOTAL SHEETS	SHEET NO.
90/94	2021-922PT.1-AC	COOK	460	246
STA.	TO STA.			
FED. ROAD DIST. NO. 1	ILLINOIS	FED. AID PROJECT		

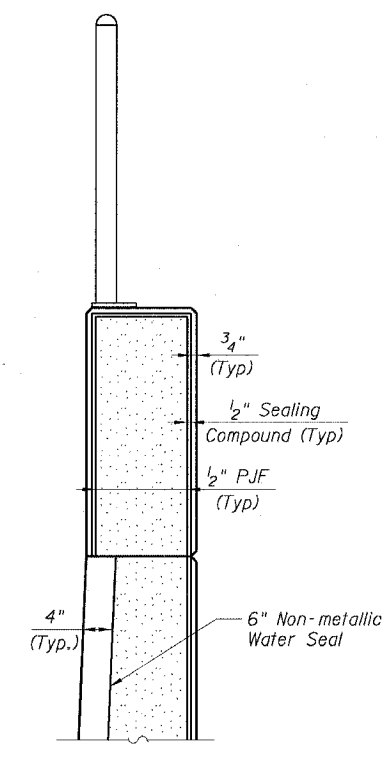
62693



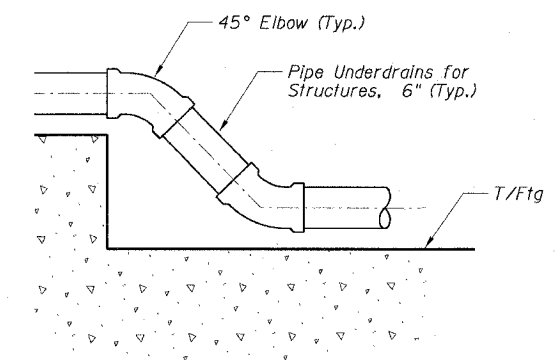
**DIMENSION**



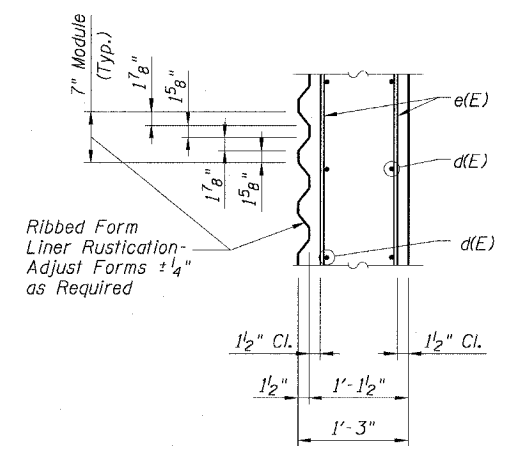
**REINFORCING**  
**TYPICAL SECTIONS - FLUTED PARAPET**



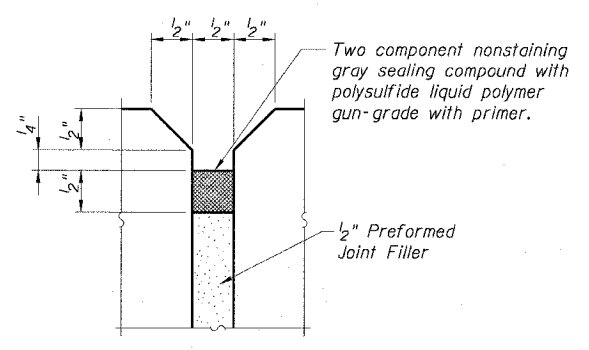
**EXPANSION JOINT**



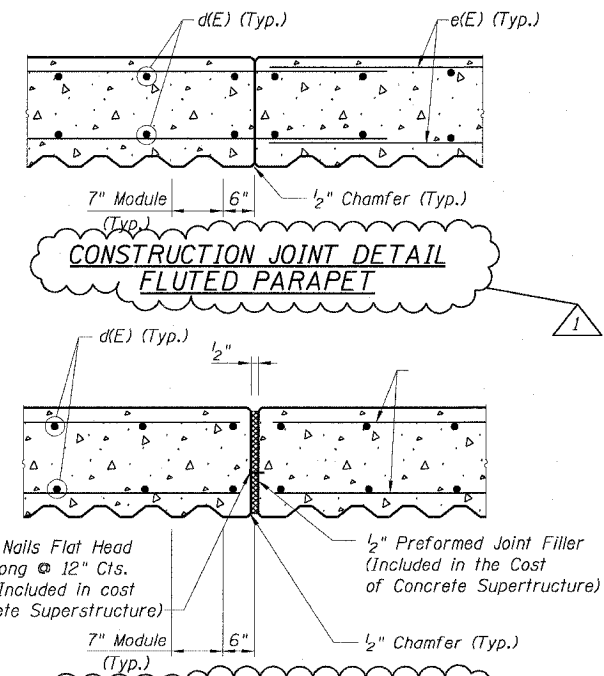
**DETAIL 10**  
Bend for Pipe Underdrains for Structures, 6" (Typ.)



**SECTION H-H**



**EXPANSION JOINT SEALING DETAIL**



**CONSTRUCTION JOINT DETAIL  
FLUTED PARAPET**

**EXPANSION JOINT DETAIL  
FLUTED PARAPET**

**NOTES:**

1. For Bar Bending Diagrams see Sheet R20.
2. For Chain Link Fence, 42" Attached to Structure (Special) Detail see Sheet SD1.
3. For Location of Outlet Pipe(s) and Detail 10 see Sheets R7 to R13. (Detailed Plan & Elevation sheets)
4. Expansion joint sealing detail also apply to Retaining Wall.

REVISIONS	
NAME	DATE
JSS	01/06/05

01/06/2005 02:46:34 PM