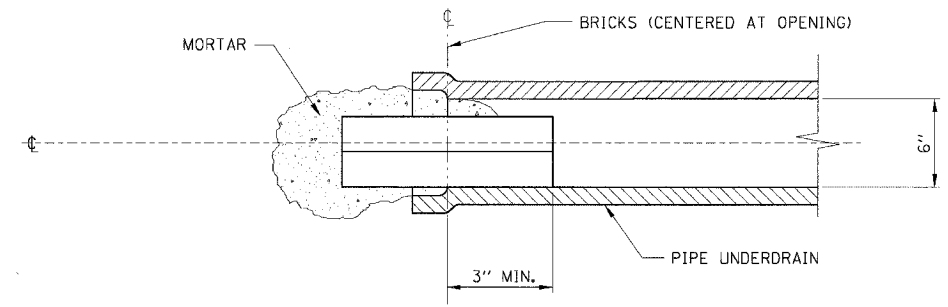


STORM SEWER PLUG

NOTES:

1. THIS WORK CONSISTS OF FURNISHING AND PLACING BRICKS AND MORTAR AS SHOWN AND AS DIRECTED BY THE ENGINEER AT LOCATIONS SHOWN IN THE PLANS TO PLUG STORM SEWERS.
2. THIS WORK SHALL BE CONSIDERED AS INCLUDED IN THE CONTRACT UNIT PRICE BID FOR THE STORM SEWER ITEMS.



TEMPORARY PIPE UNDERDRAIN PLUG

NOTES:

1. THIS WORK CONSISTS OF FURNISHING AND PLACING BRICKS AND MORTAR AS SHOWN AND AS DIRECTED BY THE ENGINEER AT LOCATIONS SHOWN IN THE PLANS TO TEMPORARILY PLUG THE PROPOSED PIPE UNDERDRAIN STUBS. THIS PLUG WILL BE REMOVED BY OTHERS FOR FUTURE EXTENSION OF THE PIPE UNDERDRAIN.
2. THIS WORK IS INCIDENTAL TO PIPE UNDERDRAINS 6".

REVISIONS	
NAME	DATE

ILLINOIS DEPARTMENT OF TRANSPORTATION
 F.A.I. 90/94 (DAN RYAN EXPRESSWAY)
 63rd ST TO 59th ST (FRONTAGE ROAD & RAMPS)

DRAINAGE DETAILS
STORM SEWER PLUG
TEMPORARY PIPE UNDERDRAIN PLUG

SCALE: NONE
 DATE: October 29, 2004

DRAWN BY: JB
 CHECKED BY: EEE