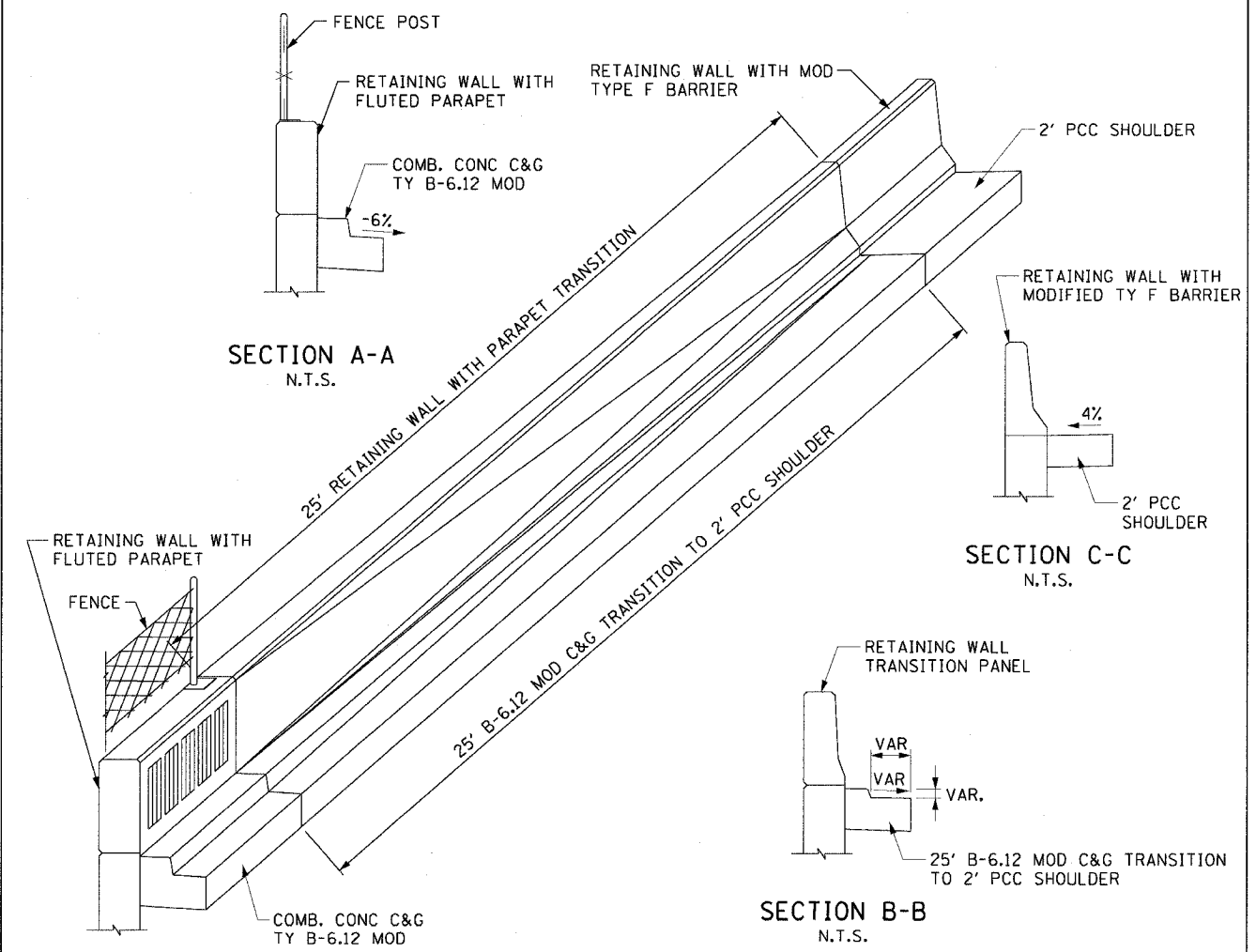
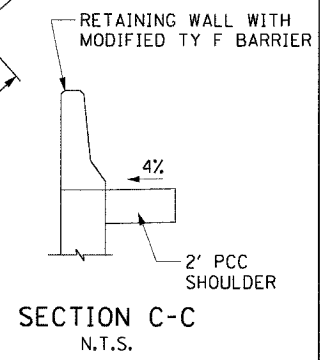
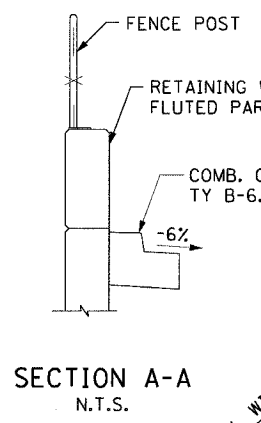
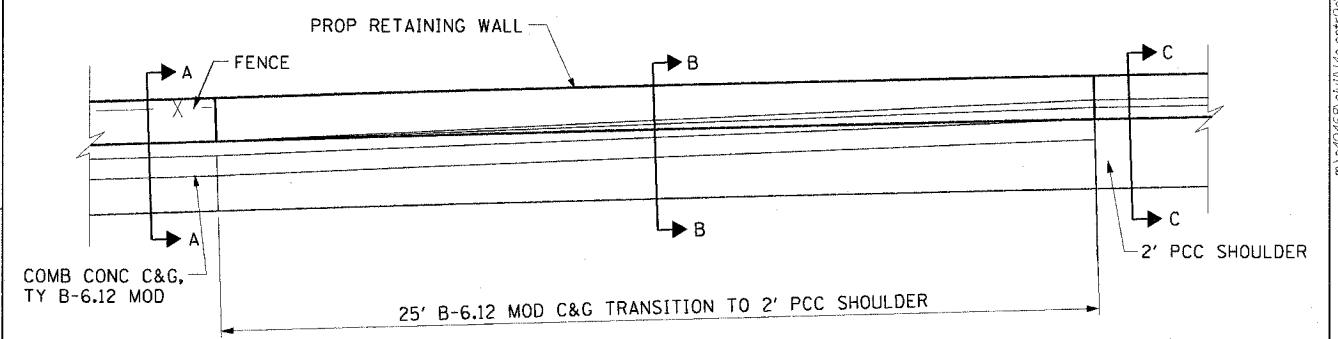


F.A.I. NO.	SECTION	COUNTY	TOTAL SHEETS	SHEET NO.
90/94	2021-922PT.1-AC	COOK	460	118
STA.	TO STA.			
FED. ROAD DIST. NO. 1	ILLINOIS	FED. AID PROJECT		
			62693	

**25' B-6.12 MOD C&G TRANSITION TO 2' PCC SHOULDER
N.T.S.**

STA 9520+00.88 TO STA 9520+25.72 LT
 STA 9001+11.83 TO STA 9001+36.39 LT
 STA 9018+44.29 TO STA 9018+69.16 LT



NOTE: THE TRANSITION SECTION SHALL BE PAID FOR AS COMB CONC C&G, TY B-6.12 MOD

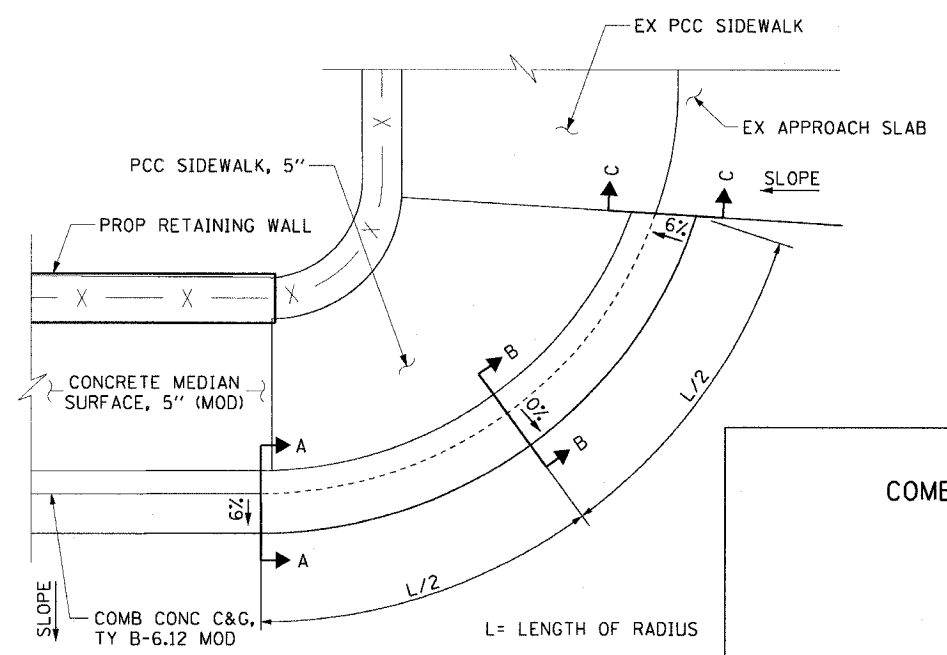
REVISIONS	
NAME	DATE

ILLINOIS DEPARTMENT OF TRANSPORTATION
 F.A.I. 90/94 (DAN RYAN EXPRESSWAY)
 63rd ST TO 59th ST (FRONTAGE ROAD & RAMPS)

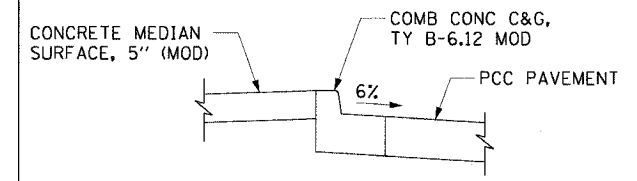
**ROADWAY DETAILS
 CURB AND GUTTER TRANSITION DETAILS**

SCALE: NONE
 DATE: October 29, 2004

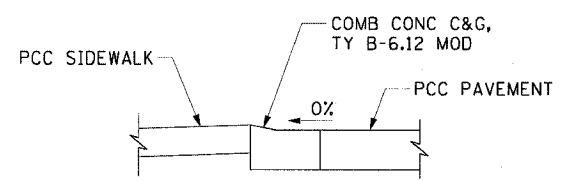
DRAWN BY: PHP
 CHECKED BY: RMG



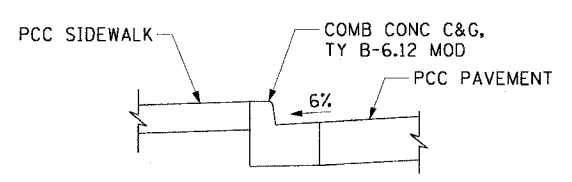
**B-6.12 MOD RADIUS TRANSITION DETAIL AT
BRIDGE APPROACH PAVEMENT
N.T.S.**



SECTION A-A
N.T.S.



SECTION B-B
N.T.S.

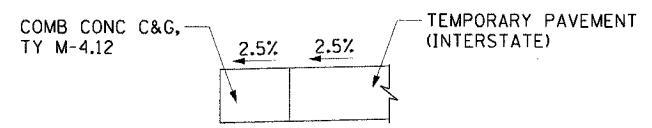
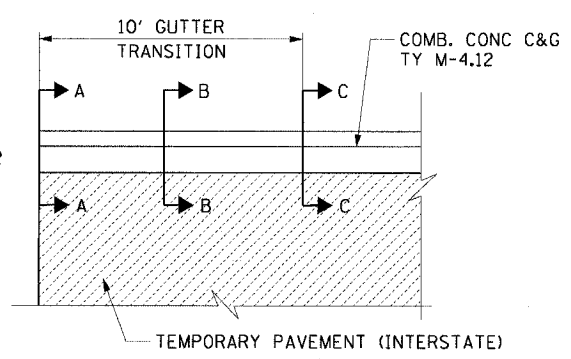


SECTION C-C
N.T.S.

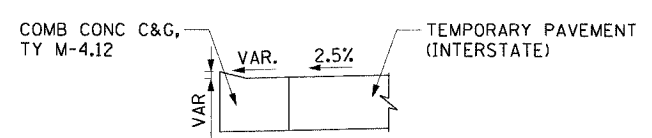
**COMB CONC C&G, TY M-4.12 TRANSITION
N.T.S.**

STA 3437+83.39 LT
 STA 4432+83.78 RT
 STA 4440+60.52 RT

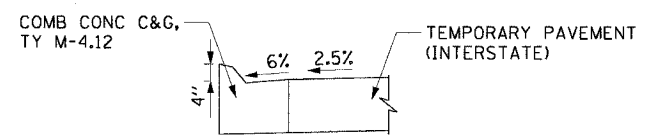
NOTE: THE TRANSITION SECTION SHALL BE PAID FOR AS COMB CONC C&G, TY M-4.12



SECTION A-A
N.T.S.



SECTION B-B
N.T.S.



SECTION C-C
N.T.S.



m:\p\46468\civil\46468\roadway_details\mcs002a.dwg 3:59:02 PM 10/27/2004