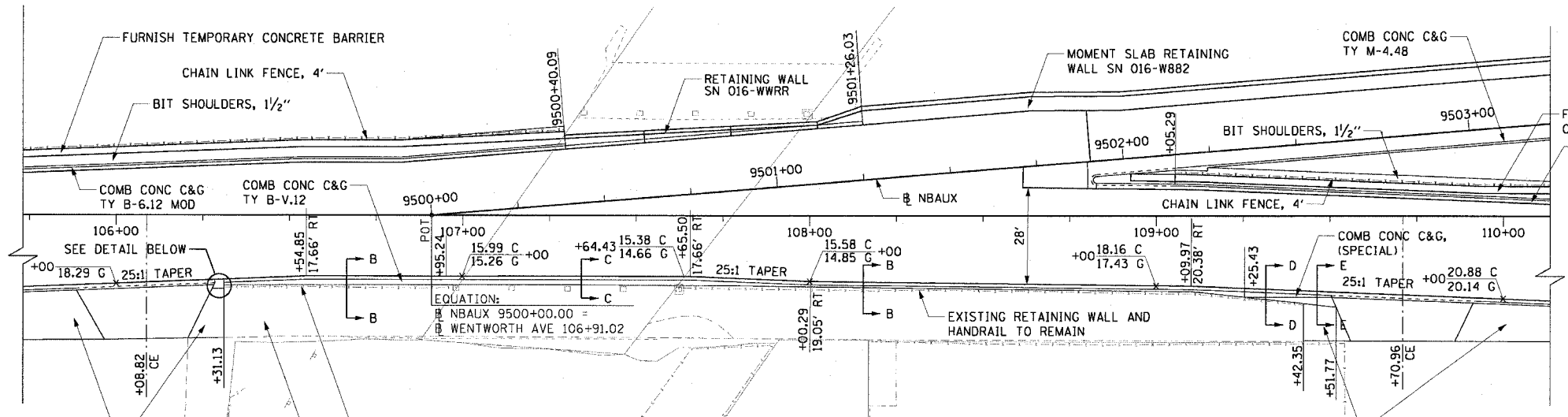
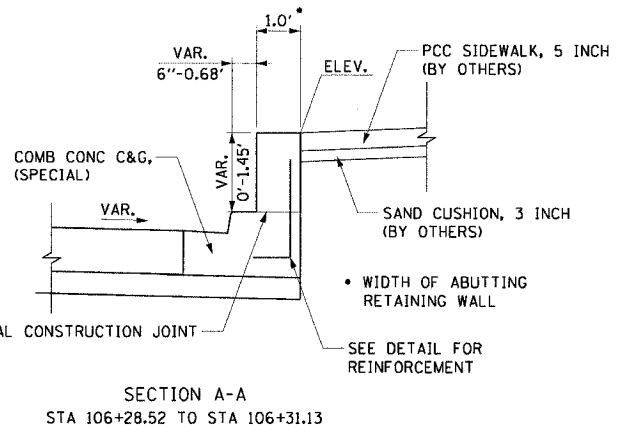
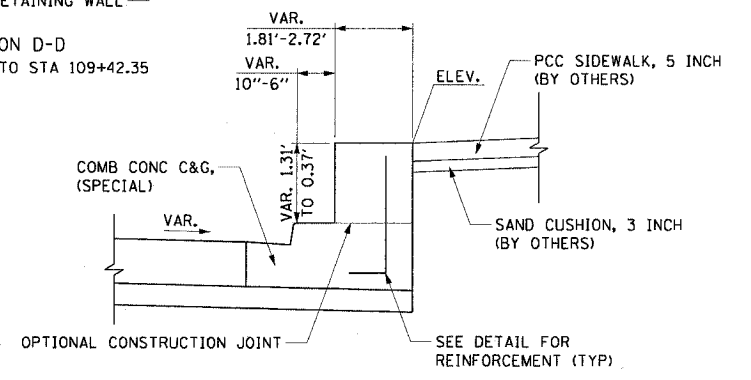
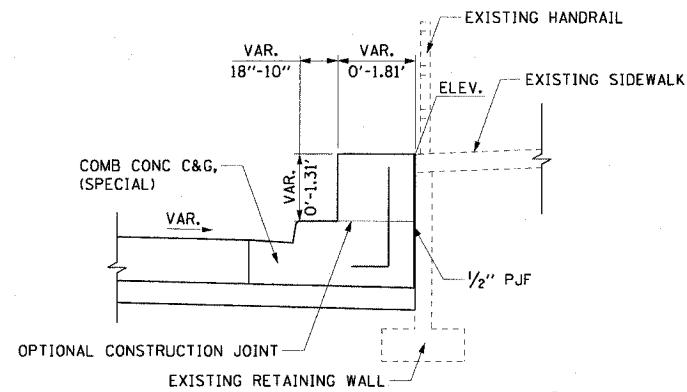
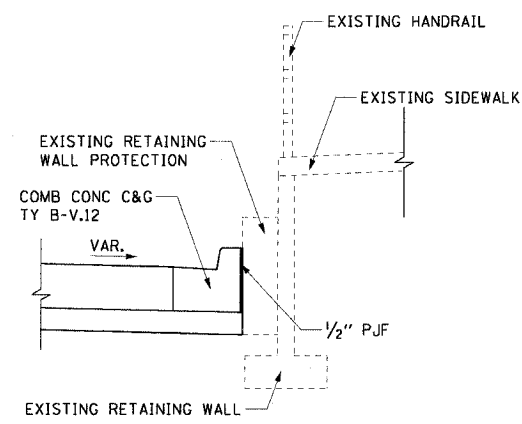
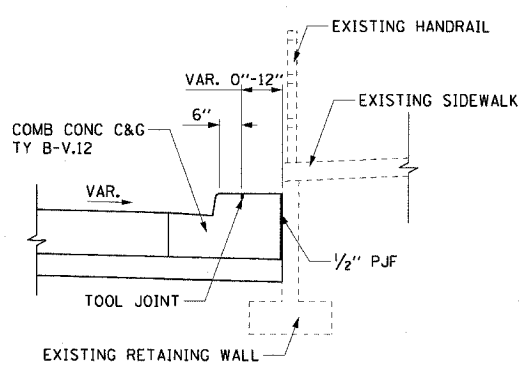
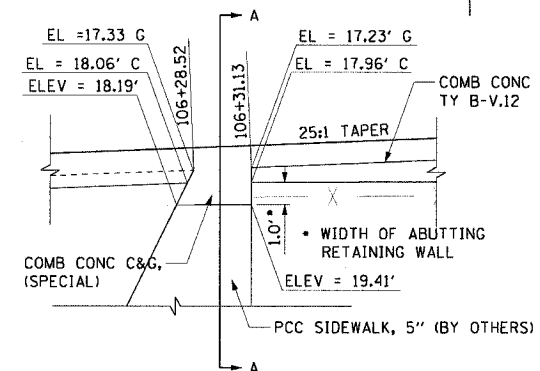


F.A.I. RTE.	SECTION	COUNTY	TOTAL SHEETS	SHEET NO.
90/94	2021-922PT.1-AC	COOK	460	124
STA.	TO STA.			
FED. ROAD DIST. NO. 1	ILLINOIS FED. AID PROJECT			

62693

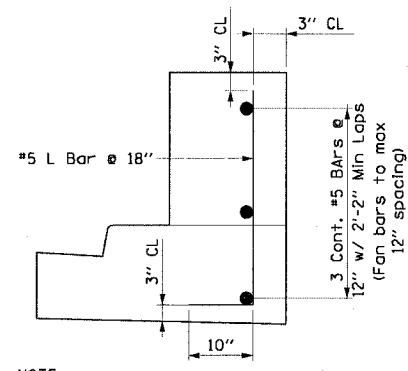


- NOTES:
1. ALL STATIONS AND OFFSETS ARE TAKEN FROM WENTWORTH AVENUE BASELINE UNLESS OTHERWISE NOTED.
 2. SEE PAVEMENT JOINT AND ELEVATION PLANS FOR RAMP GRADING.
 3. SEE GORE DETAILS FOR CORE GRADING.
 4. REINFORCEMENT FOR THE COMB CONC C&G, (SPECIAL) SHALL BE INCLUDED IN THE COST OF THE COMB CONC C&G, (SPECIAL).



ELEVATIONS AT THE TOP OF THE CONC CONC C&G, (SPECIAL)

STATION	OFFSET	ELEV.
106+27.74	21.31' RT	18.19'
106+31.13	21.29' RT	19.41'
109+25.43	23.58' RT	19.13'
109+42.35	25.40' RT	20.98'
109+51.77	26.44' RT	20.27'



NOTE:
"L" BAR TO BE CUT AND BENT IN THE FIELD TO FIT THE VARYING SIZE OF THE COMB CONC C&G, (SPECIAL).

REVISIONS	
NAME	DATE

ILLINOIS DEPARTMENT OF TRANSPORTATION
F.A.I. 90/94 (DAN RYAN EXPRESSWAY)
63rd ST TO 59th ST (FRONTAGE ROAD & RAMPS)
ROADWAY DETAILS
COMB CONC C&G, (SPECIAL) AND
PROPOSED IMPROVEMENT UNDER
THE CONRAIL RAILROAD BRIDGE

SCALE: 1"=20'
DATE: October 29, 2004
DRAWN BY: NJH
CHECKED BY: RMG

11/23/2004 0:52:52 PM