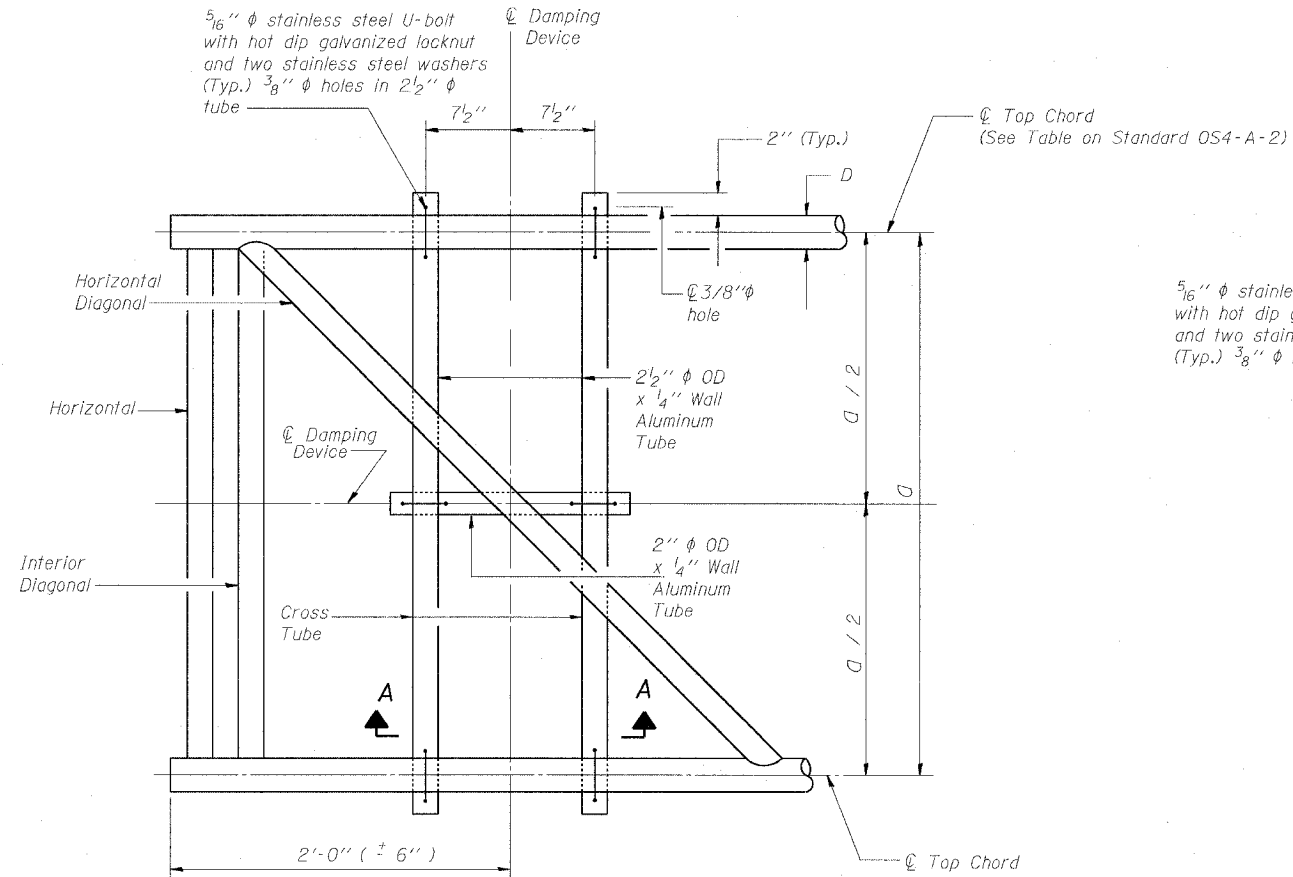
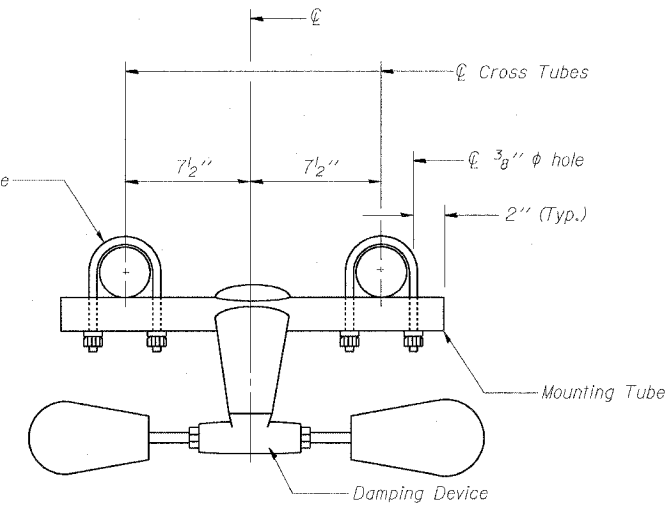


STATE OF ILLINOIS
DEPARTMENT OF TRANSPORTATION

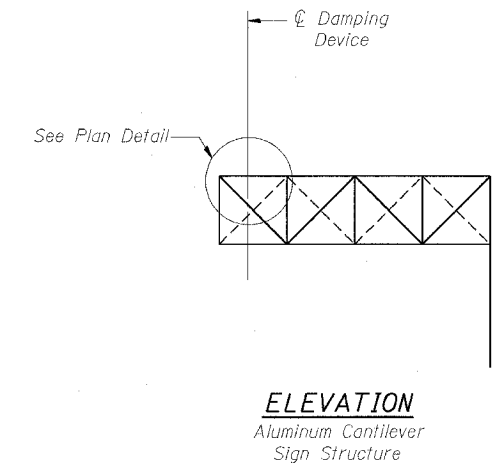
ROUTE NO.	SECTION	COUNTY	TOTAL SHEETS	SHEET NO.
F.A.I. RTE. 90/94	*	COOK	460	141
FED. ROAD DIST. NO. 1		ILLINOIS	FED. AID PROJECT	
*2021-922PT.1-AC CONTRACT NO. 62693				



PLAN DETAIL



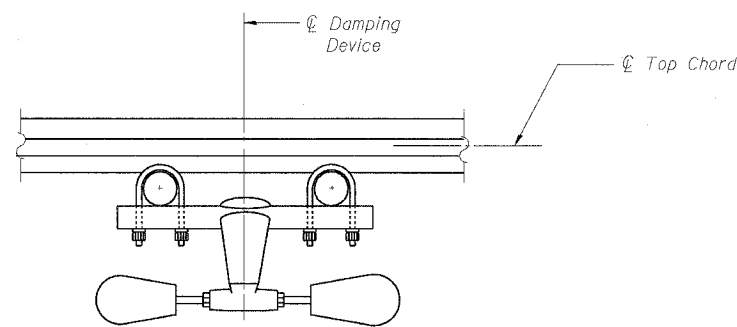
TRUSS DAMPING DEVICE CONNECTION DETAIL



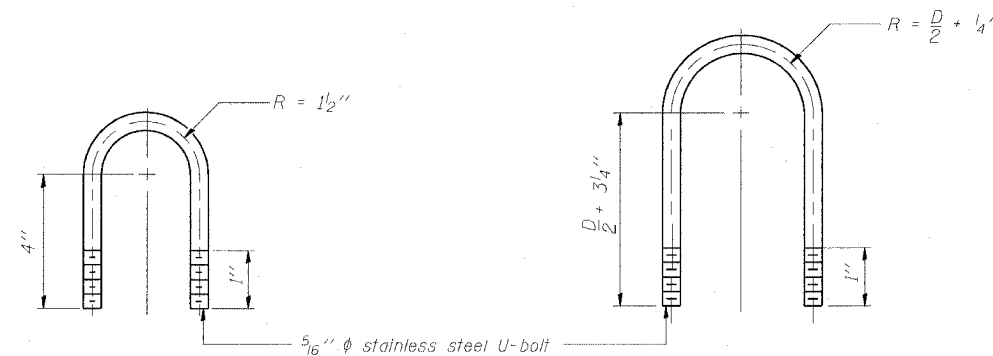
ELEVATION
Aluminum Cantilever
Sign Structure

GENERAL NOTES

- Damper: One damper per truss. (31 lbs. Stockbridge-Type Aluminum)
- Materials: Aluminum tubes shall be ASTM B221 alloy 6061 temper T6



SECTION A-A



DAMPING DEVICE MOUNTING TUBE U-BOLT DETAIL
(Typical)

TOP CHORD TO CROSS TUBE U-BOLT DETAIL
(Typical)

DESIGNED - SWANG	20
CHECKED - RMG	EXAMINED
DRAWN - SWANG	PASSED
CHECKED - RMG	ENGINEER OF BRIDGES AND STRUCTURES

OSC-A-D 11/1/2002

CANTILEVER SIGN STRUCTURE DAMPING DEVICE
F.A.I. 94/90 (DAN RYAN EXPRESSWAY) 63RD ST TO 59TH ST (FRONTAGE RD AND RAMPS)

10/21/2004 04:09:38 PM