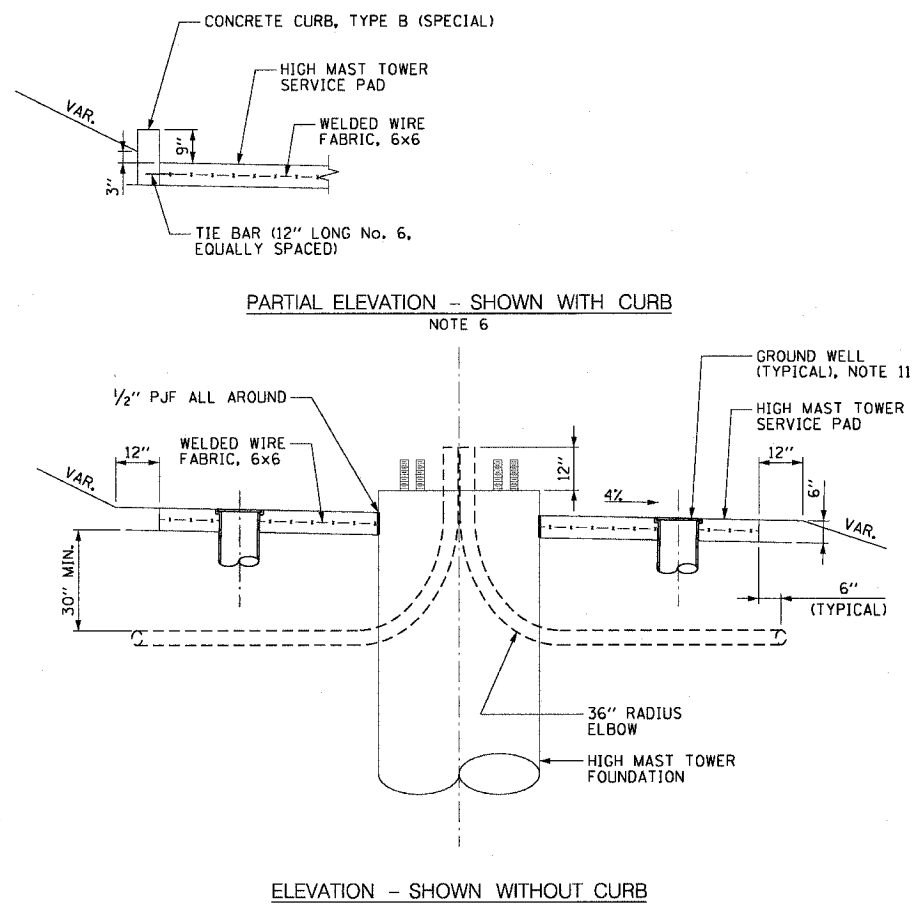
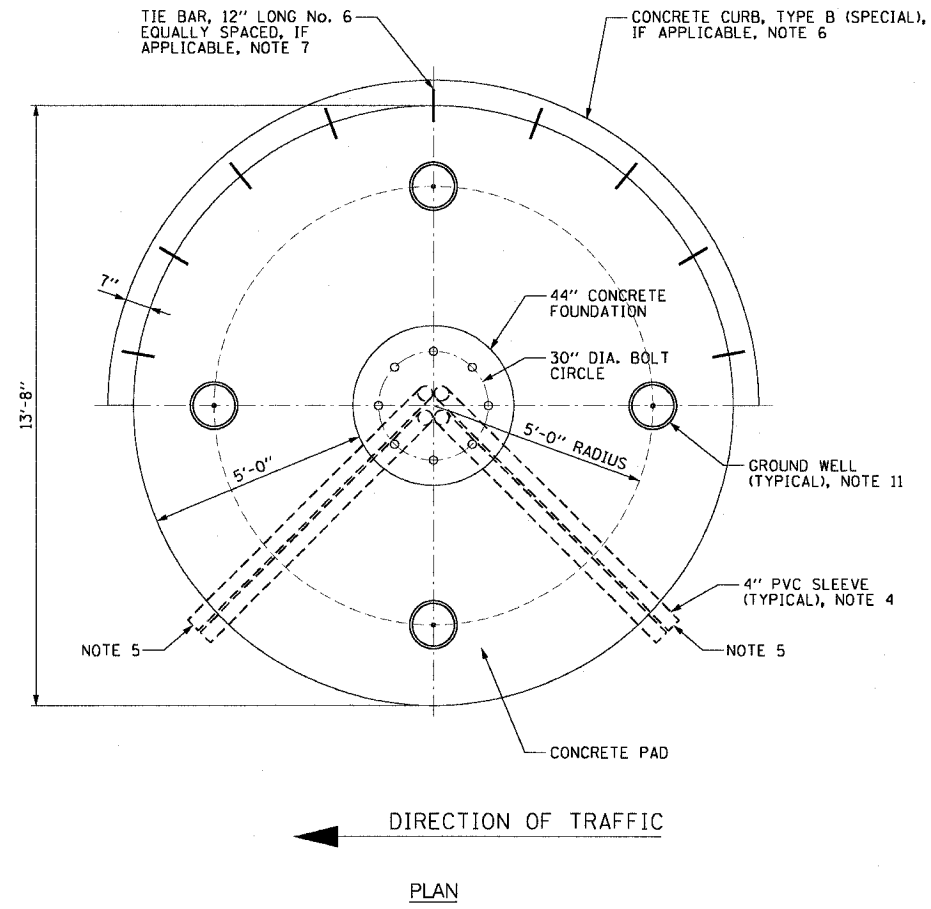
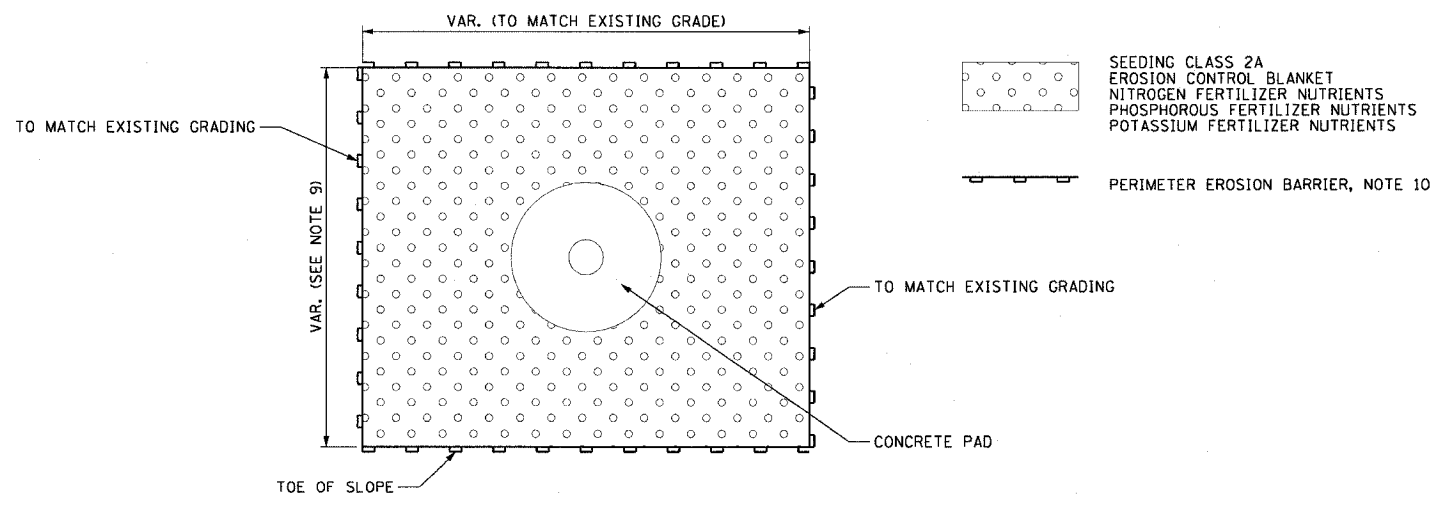


F.A.I. RTE.	SECTION	COUNTY	TOTAL SHEETS	SHEET NO.
90/94	2021-922PT.1-AC	COOK	460	186
STA.	TO STA.		FED. AID PROJECT	
			62693	

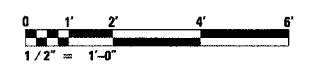


GROUND MOUNTED HIGH MAST TOWER FOUNDATION DETAIL
SCALE: 1/2" = 1'-0"



LANDSCAPING ADJACENT TO GROUND MOUNTED HIGH MAST TOWER FOUNDATION
NOT TO SCALE

- NOTES:**
- SEE DRAWINGS EI-100 AND EI-101 FOR ELECTRICAL SYMBOLS AND ABBREVIATIONS.
 - SEE IDOT STANDARD DRAWING BES01 FOR ADDITIONAL HIGH MAST LIGHT TOWER FOUNDATION AND GROUND WELL DETAILS.
 - SEE PLAN DRAWINGS FOR QUANTITY, SIZE, AND TYPE OF CONDUIT AND CIRCUITS ROUTED TO EACH HIGH MAST LIGHT TOWER FOUNDATION.
 - PVC SLEEVES MUST BE EXTENDED 6 INCHES BEYOND THE EDGE OF THE CONCRETE PAD.
 - PVC SLEEVE FOR CCTV CAMERA POWER FEED (FUTURE). SLEEVE MUST BE CAPPED UNLESS NOTED OTHERWISE ON THE PLANS.
 - SEE CROSS SECTIONS FOR LOCATIONS WHERE CONCRETE CURB, TYPE B (SPECIAL) IS REQUIRED.
 - TIE BARS WILL NOT BE PAID FOR SEPARATELY BUT WILL BE INCLUDED IN THE COST OF CONCRETE CURB, TYPE B (SPECIAL).
 - SEE IDOT STANDARD 606001 FOR DIMENSIONS OF BARRIER CURB.
 - SEE CROSS SECTIONS FOR LIMITS OF GRADING AND SEEDING.
 - THE PERIMETER EROSION BARRIER IS TO BE PLACED AROUND THE WORK ZONE AREA OR AS DIRECTED BY THE ENGINEER.
 - INSTALL GROUND WELLS 5'-0" AS MEASURED FROM THE CENTER LINE OF THE HIGH MAST TOWER TO THE CENTER LINE OF THE WELL.



EI-105

REVISIONS	
NAME	DATE

ILLINOIS DEPARTMENT OF TRANSPORTATION
F.A.I. 90/94 (DAN RYAN EXPRESSWAY)
63rd ST TO 59th ST (FRONTAGE ROAD & RAMPS)

CONDUIT INSTALLATION DETAILS
FOR GROUND MOUNTED HIGH MAST
LIGHT TOWERS

SCALE: AS SHOWN DRAWN BY: CJM
DATE: October 29, 2004 CHECKED BY: WDS

10/21/2004 02:25:57 PM