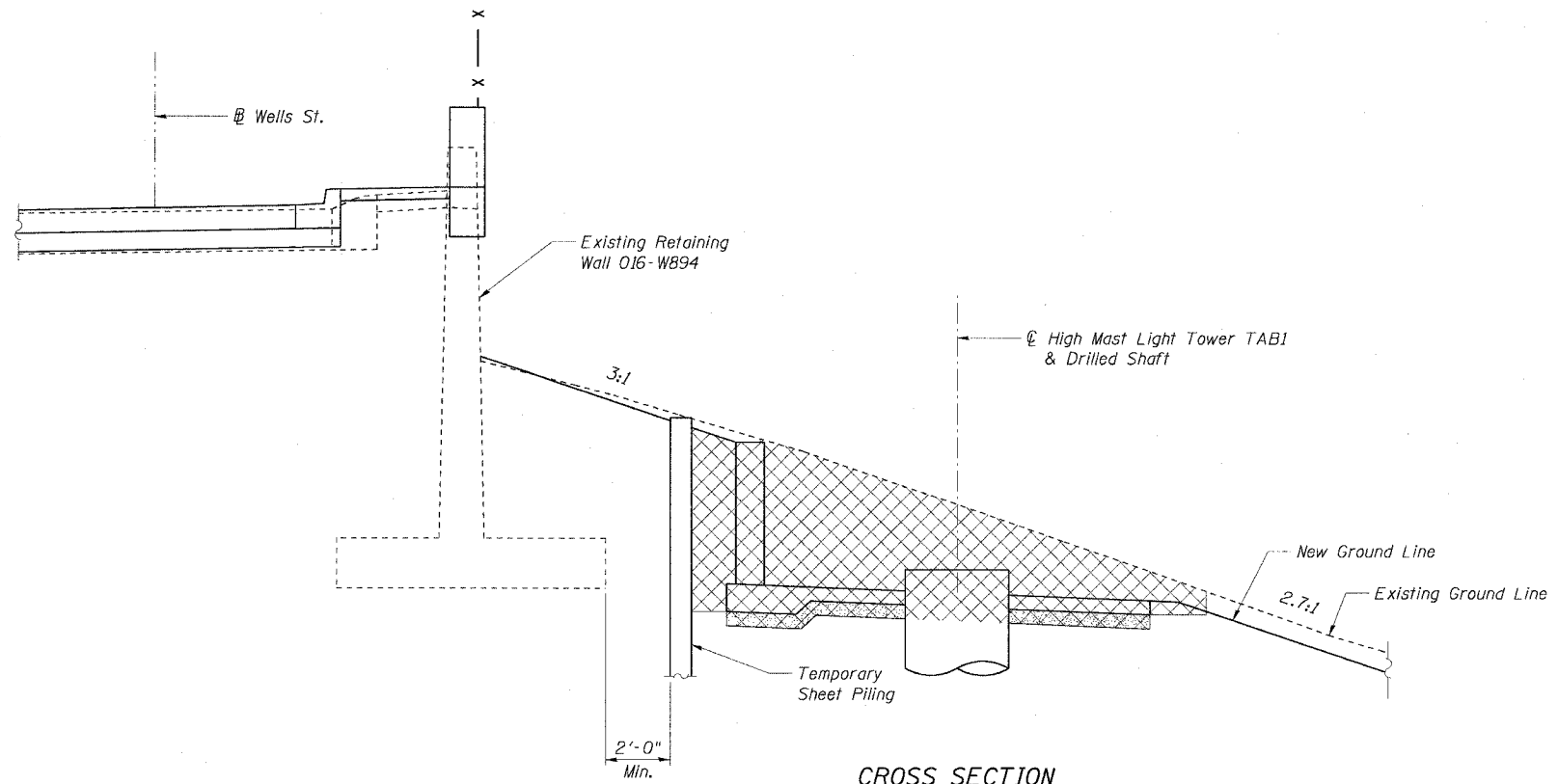
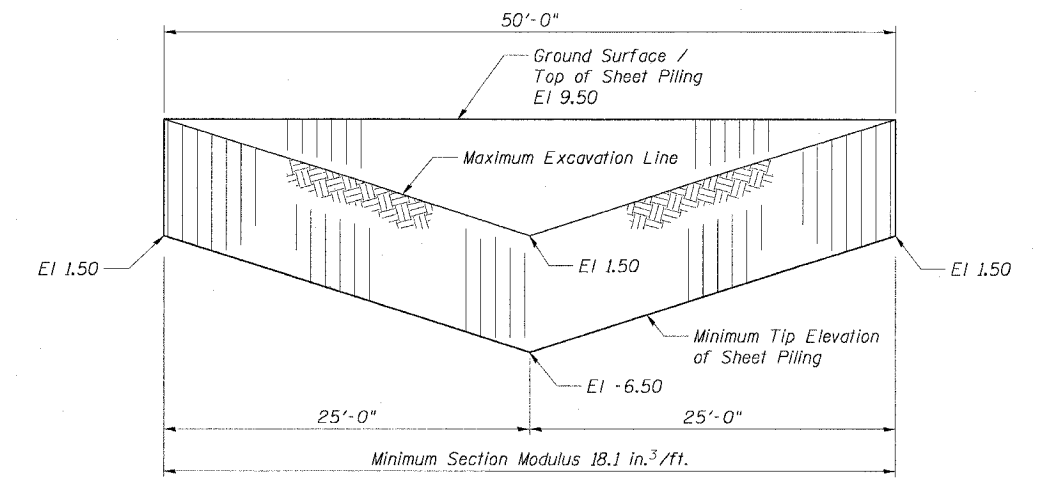


F.A.I. RTE.	SECTION	COUNTY	TOTAL SHEETS	SHEET NO.
90/94	2021-922PT.1-AC	COOK	460	189
STA.	TO STA.			
FED. ROAD DIST. NO. 1	ILLINOIS	FED. AID PROJECT		

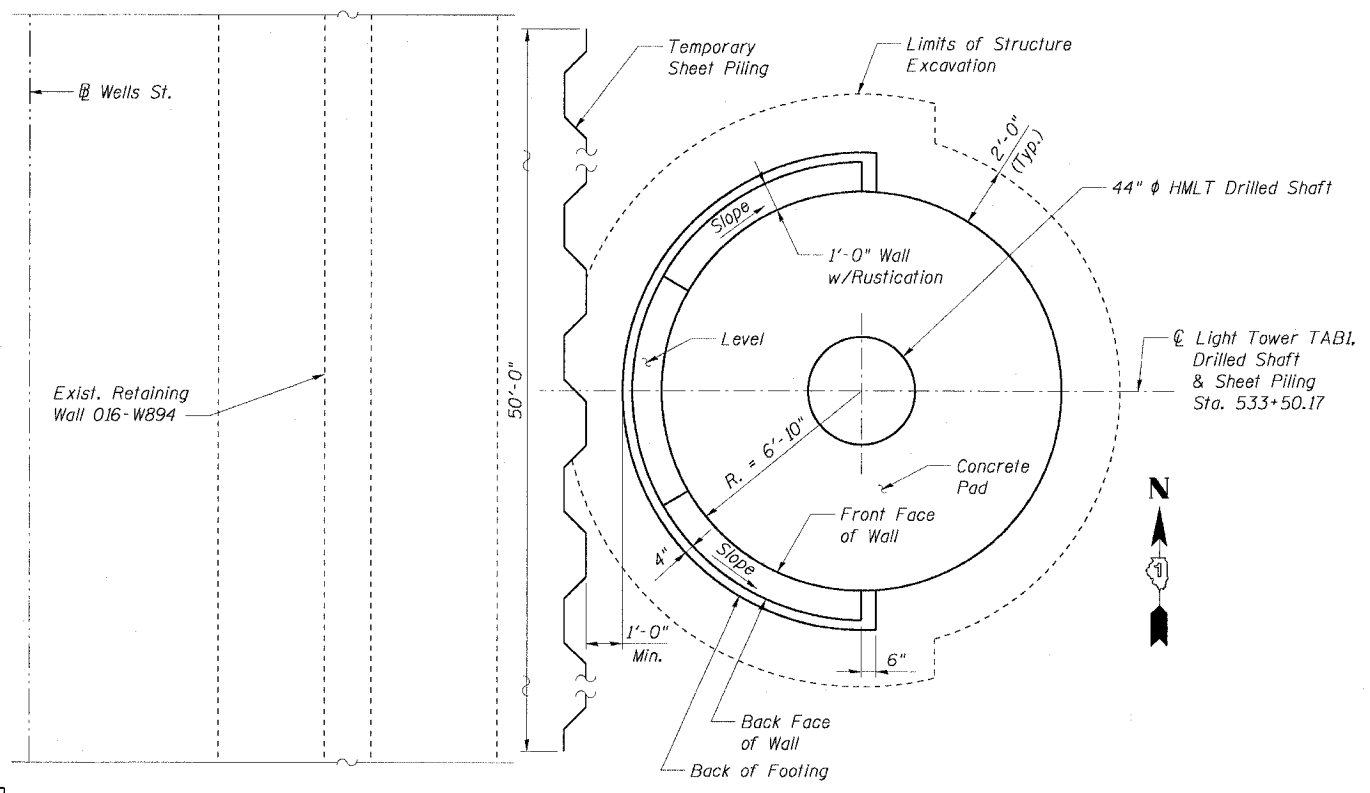
62693



CROSS SECTION



TEMPORARY SHEET PILING ELEVATION



PLAN VIEW

BILL OF MATERIAL		
Item	Unit	Quantity
Temporary Sheet Piling	Sq. Ft.	600.0

NOTES:
 1. If the Contractor chooses to alter the temporary cantilever sheet piling design requirements shown on the plans, a design submittal including plan details and calculations will be required for review and acceptance by the Engineer.

LEGEND:

	Structure Excavation
	Granular Subbase

REVISIONS	
NAME	DATE

ILLINOIS DEPARTMENT OF TRANSPORTATION
 F.A.I. 90/94 (DAN RYAN EXPRESSWAY)
 63rd ST TO 59th ST (FRONTAGE ROAD & RAMPS)
**HIGH MAST LIGHT TOWER SERVICE PAD
 & RETAINING WALL DETAILS 3
 HIGH MAST LIGHT TOWER TAB1**
 SCALE: NOT TO SCALE DRAWN BY: KWT
 DATE: October 29, 2004 CHECKED BY: MJP