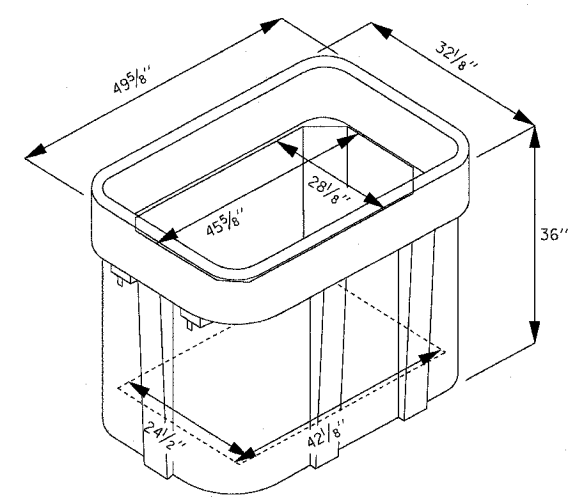
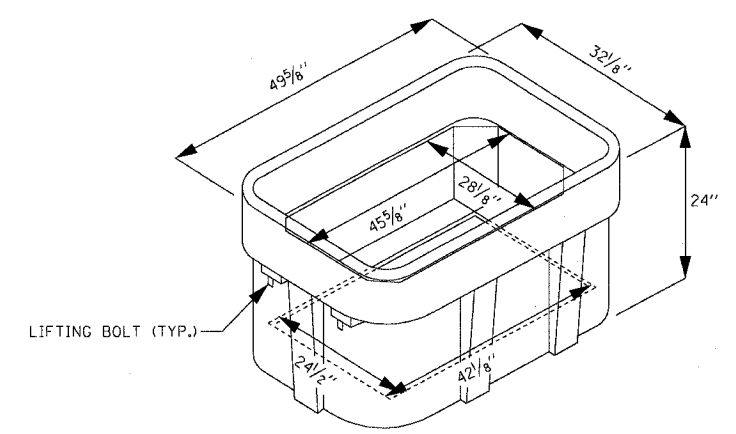
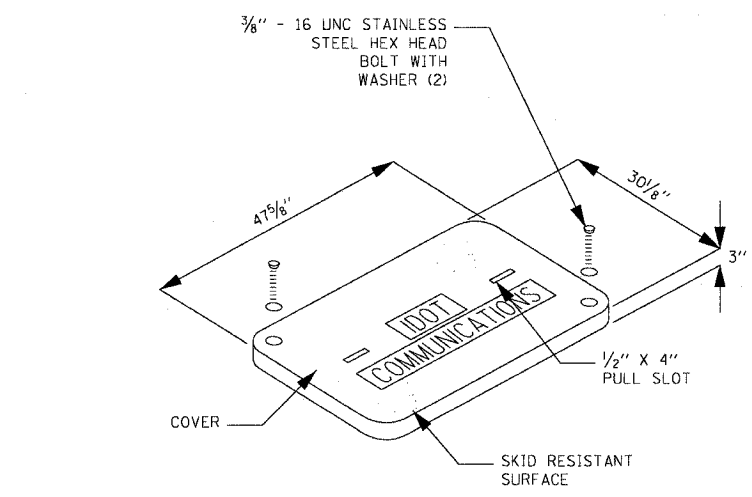
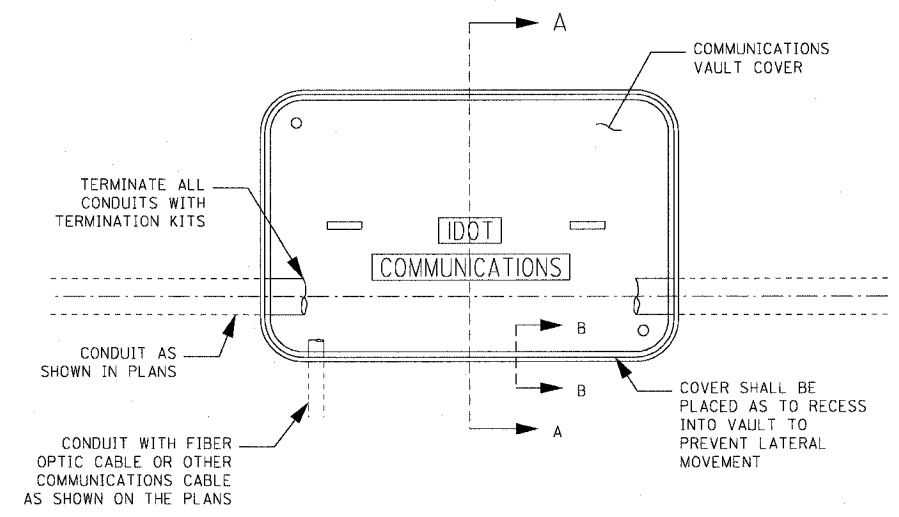
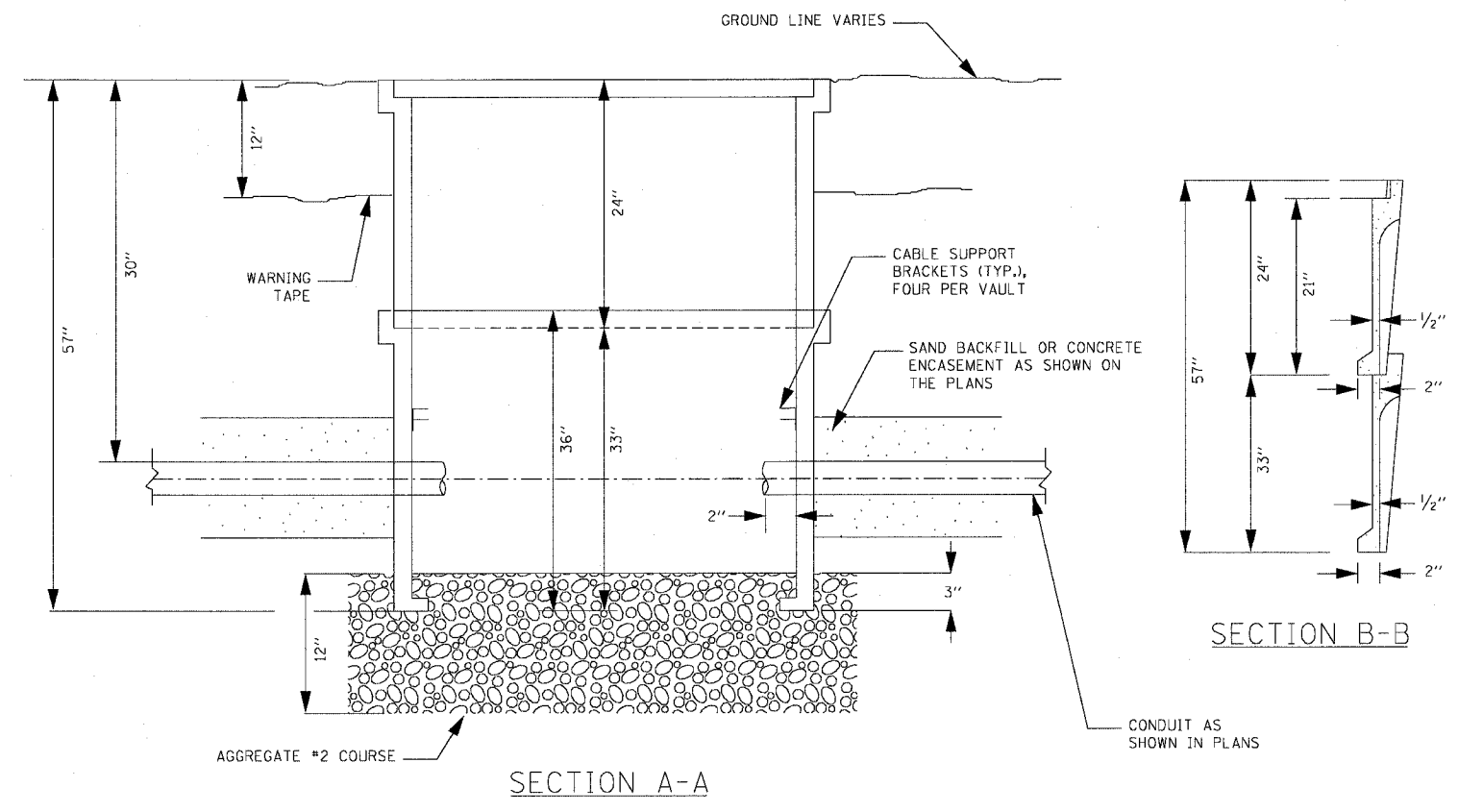


F.A.I. RITE:	SECTION	COUNTY	TOTAL SHEETS	SHEET NO.
90/94	2021-922PT.1-AC	COOK	460	191
STA.	TO STA.			
FED. ROAD DIST. NO. 1		ILLINOIS	FED. AID PROJECT	

62693



ISOMETRIC



PLAN

NOTES:

1. BOX SHALL HAVE AN OPEN BASE.
2. COVER SHALL WITHSTAND AASHTO H 20 LOADING AND SHALL LOCK.
3. ALL OPENINGS IN STRUCTURE MUST BE MACHINED AT TIME OF FABRICATION OR PUNCH DRIVEN AT TIME OF PLACEMENT.
4. FIELD PLACEMENT OF COMMUNICATIONS VAULT SHALL BE AS DIRECTED BY THE ENGINEER.

EI-107

**Edwards AND Kelcey**

ONE NORTH FRANKLIN  
CHICAGO, IL 60606  
PHONE: (312) 251-3000  
FAX: (312) 251-3015  
WEB: WWW.ERCCORP.COM

REVISIONS	
NAME	DATE

ILLINOIS DEPARTMENT OF TRANSPORTATION  
F.A.I. 90/94 (DAN RYAN EXPRESSWAY)  
63rd ST TO 59th ST (FRONTAGE ROAD & RAMPS)

**COMMUNICATIONS VAULT DETAILS  
(HANDHOLE TYPE C1)**

SCALE: NTS  
DATE: October 29, 2004

DRAWN BY: MJL  
CHECKED BY: AAP

ms:\p\0466\elec\14 cfm\94\stn\contract 94\el09\07 26.dwg 10/27/2004 02:25:59 PM