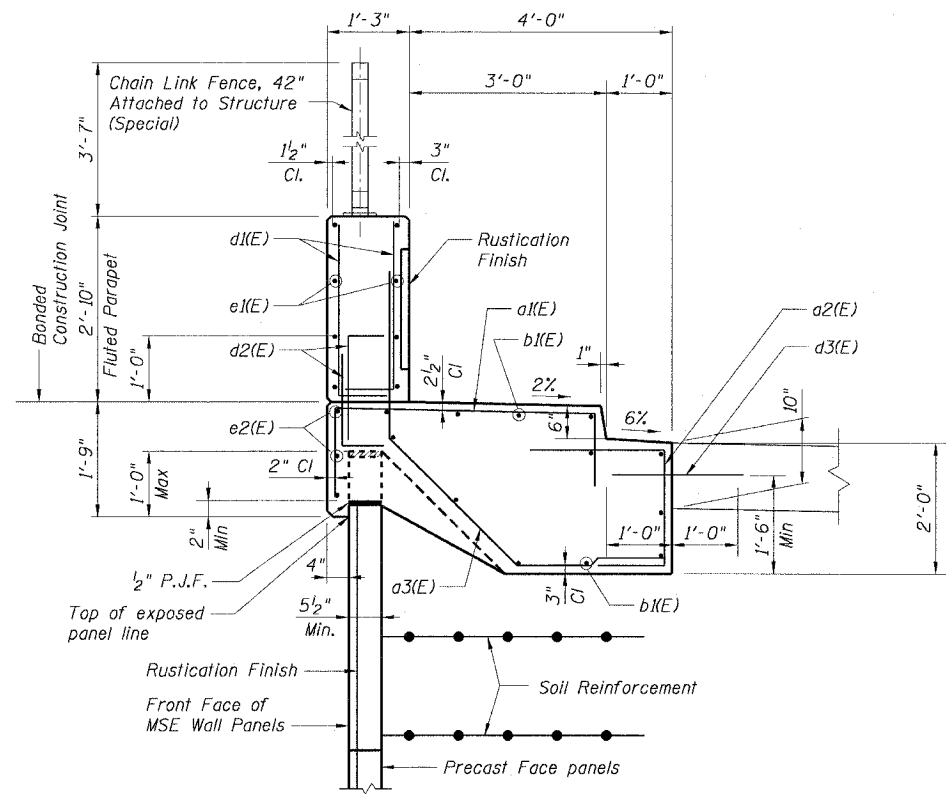


STATE OF ILLINOIS  
DEPARTMENT OF TRANSPORTATION

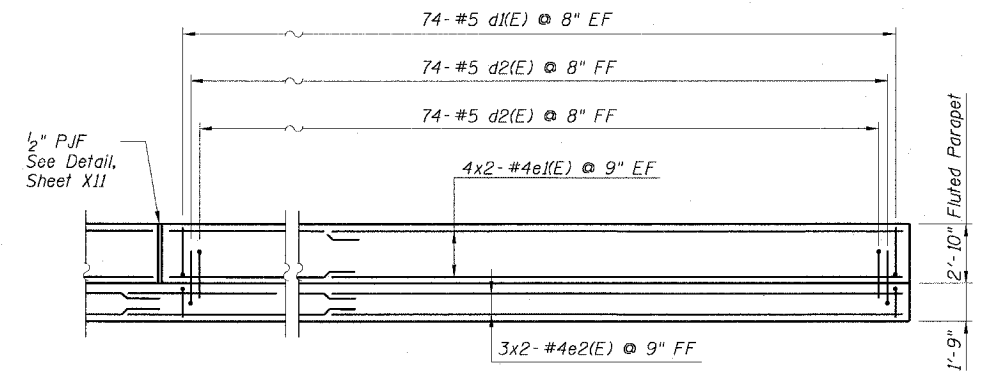
F.A.I. RTE.	SECTION	COUNTY	TOTAL SHEETS	SHEET NO.
90/94	2021-922PT.1-AC	COOK	460	219
STA.	TO STA.			
FED. ROAD DIST. NO. 1	ILLINOIS	FED. AID PROJECT	62693	

**BILL OF MATERIAL**

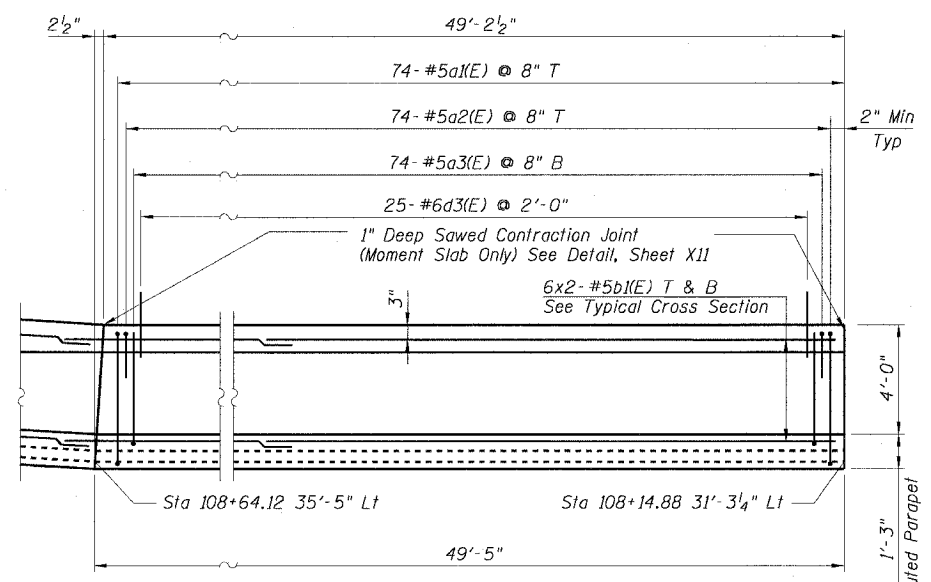
Item	Unit	Quantity
Concrete Structures	Cu Yd	320



**TYPICAL CROSS SECTION**  
**STA. 108+14.88 TO STA. 108+64.12**  
(Looking North)



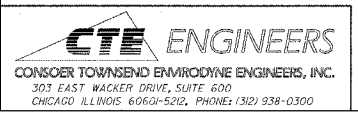
**MOMENT SLAB AND FLUTED PARAPET ELEVATION - UNIT 1**  
(Looking East)



**MOMENT SLAB PLAN - UNIT 1**

**NOTES:**

1. For Modified Barrier and Fluted Parapet Details, see Sheet X11.
2. For Joint Details, see Sheet X11.
3. For Bar Bending Diagrams see Sheet X12.
4. Minimum lap lengths for horizontal bars shall be as follows:  
for #4e bars - 1'-8"  
for #5b bars - 2'-5"
5. Bars indicated thus 3x2-#5 etc. indicates 3 lines of bars with 2 lengths per line.
6. Work Sheets X6 thru X10 together



Sheet X6 of 14

REVISIONS	
NAME	DATE

ILLINOIS DEPARTMENT OF TRANSPORTATION  
F.A.I. 90/94 (DAN RYAN EXPRESSWAY)  
**MOMENT SLAB DETAILS - UNIT 1**  
SOUTH WENTWORTH AVENUE RETAINING WALL  
WEST 63RD STREET TO WEST 59TH STREET  
SECTION 2021-922 PT.1-AC  
STATION 108+14.88 TO 114+71.57  
COOK COUNTY S.N. 016-W882

SCALE: None DRAWN BY: CHD  
DATE: October 29, 2004 CHECKED BY: MJP

11/23/2004 08:03:22 AM