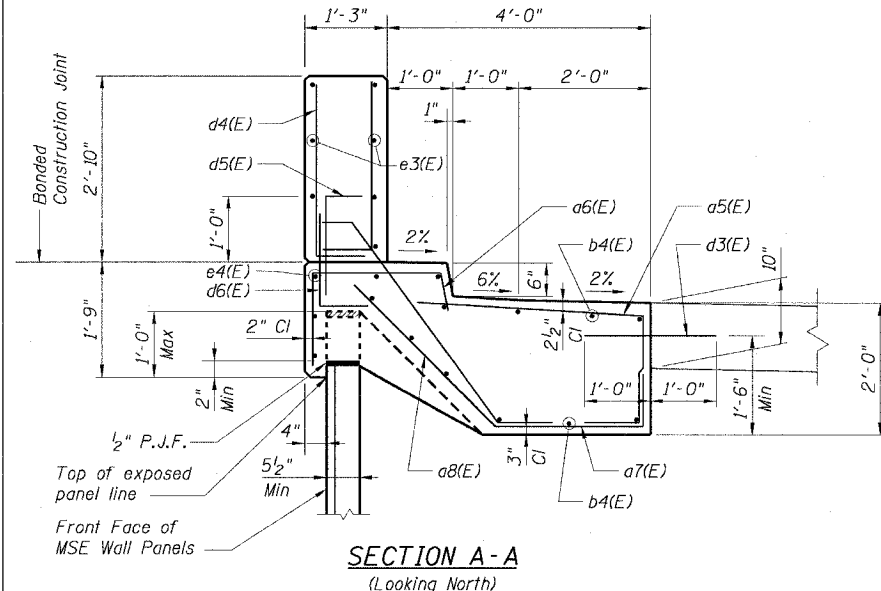
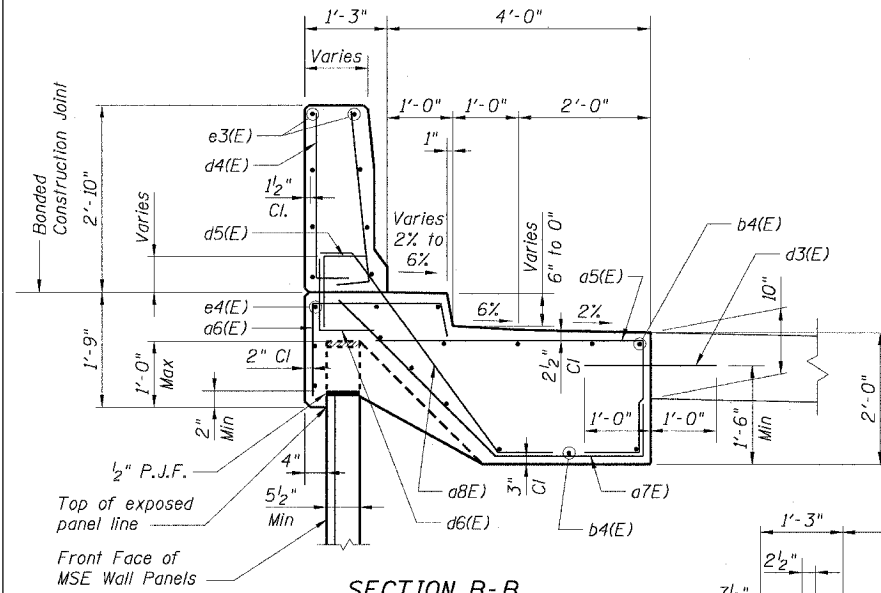


STATE OF ILLINOIS
DEPARTMENT OF TRANSPORTATION

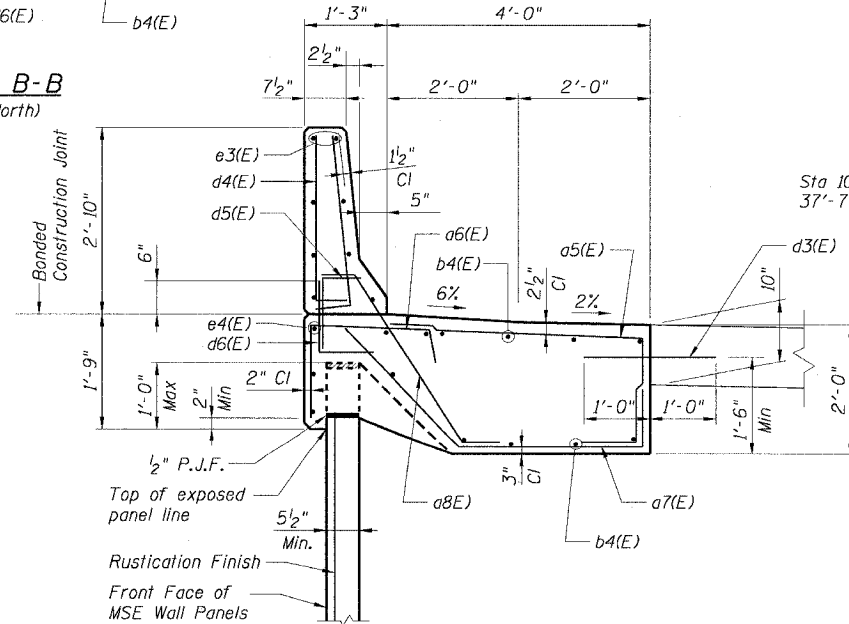
F.A.I. RTE.	SECTION	COUNTY	TOTAL SHEETS	SHEET NO.
90/94	2021-922PT.1-AC	COOK	460	221
STA.	TO STA.			
FED. ROAD DIST. NO. 1	ILLINOIS	FED. AID PROJECT	62693	



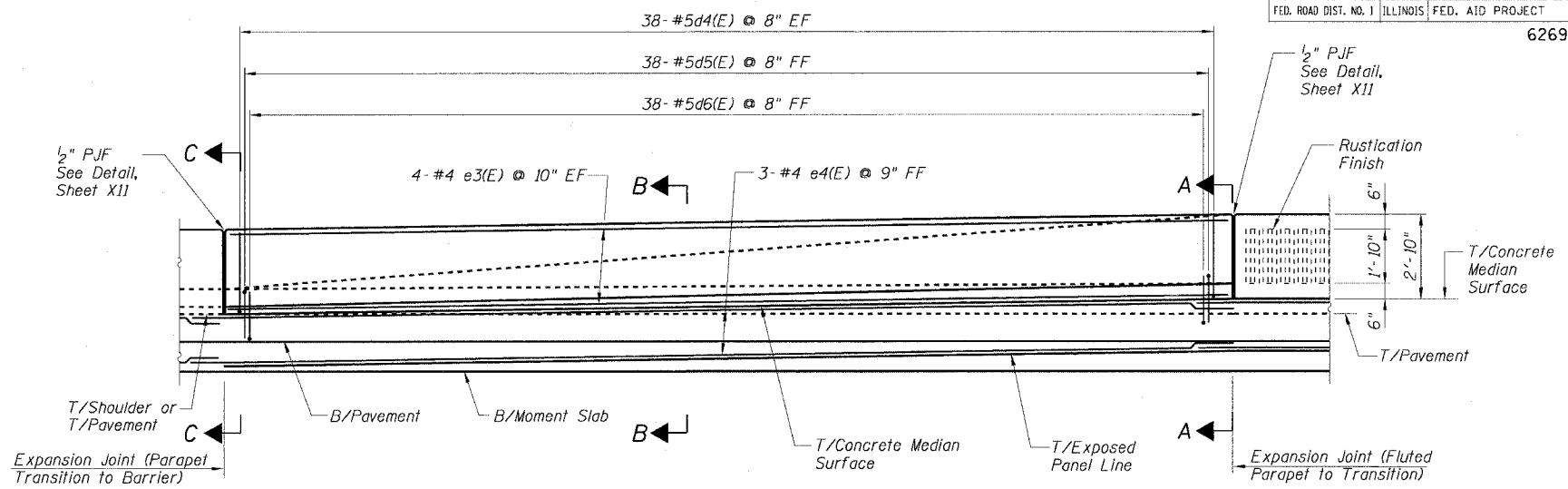
SECTION A-A
(Looking North)



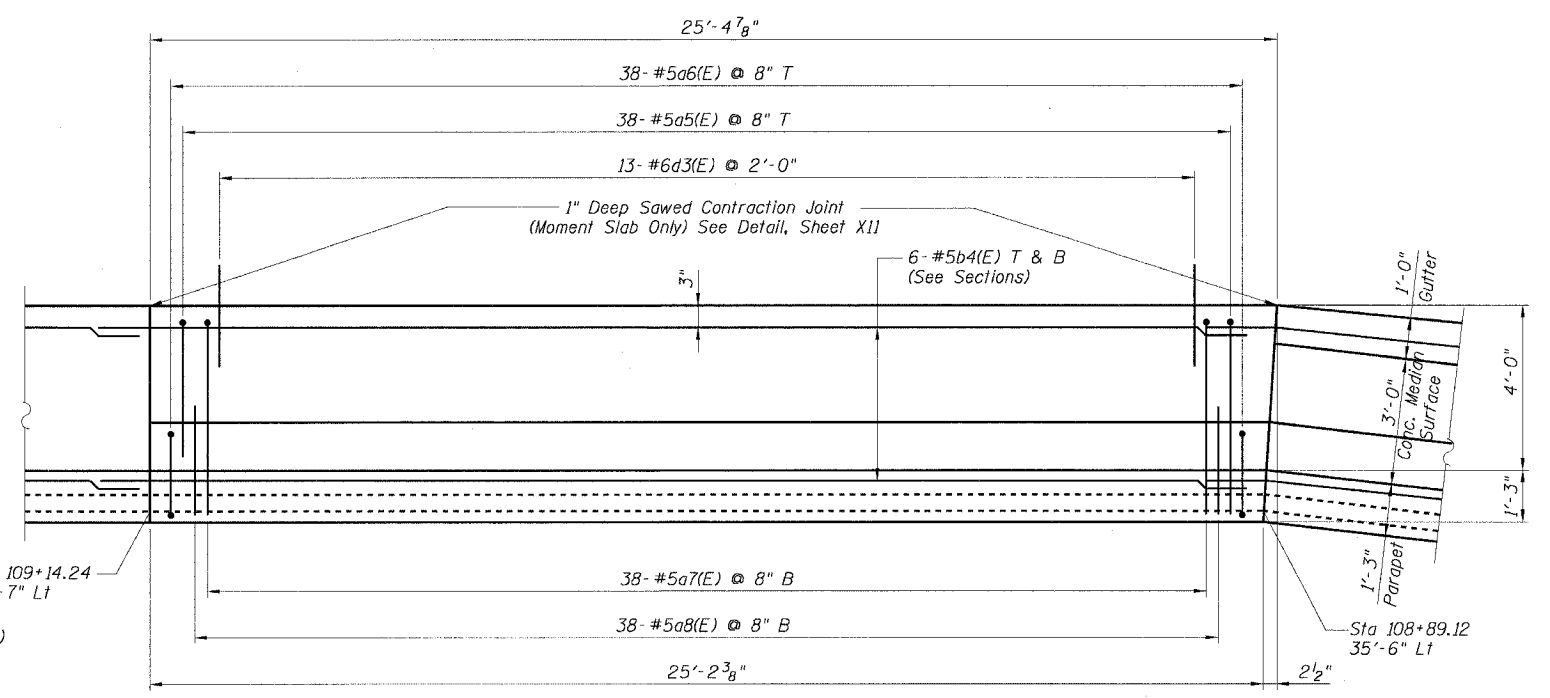
SECTION B-B
(Looking North)



SECTION C-C
(Looking North)



MOMENT SLAB AND BARRIER ELEVATION - UNIT 3
TRANSITION-FLUTED PARAPET TO MODIFIED BARRIER
(Looking East)



MOMENT SLAB PLAN - UNIT 3



Sheet X8 of 14

REVISIONS	
NAME	DATE

ILLINOIS DEPARTMENT OF TRANSPORTATION
F.A.I. 90/94 (DAN RYAN EXPRESSWAY)
MOMENT SLAB DETAILS - UNIT 3
SOUTH WENTWORTH AVENUE RETAINING WALL
WEST 55TH STREET TO WEST 51ST STREET
SECTION (2021-922 PT.1, 2 & 2122-921 PT.1) R-4
STATION 108+14.88 TO 114+71.57
COOK COUNTY SN. 016-W882
SCALE: NONE DRAWN BY: CHD
DATE: October 29, 2004 CHECKED BY: MJP

10/27/2004 04:33:27 PM