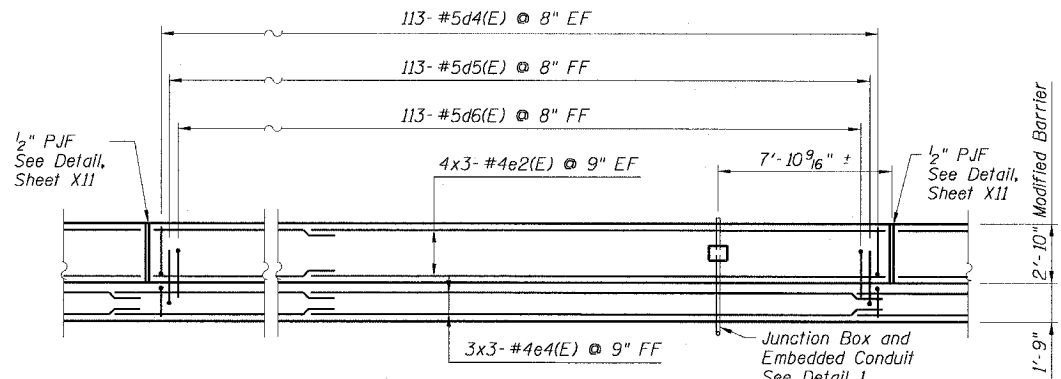


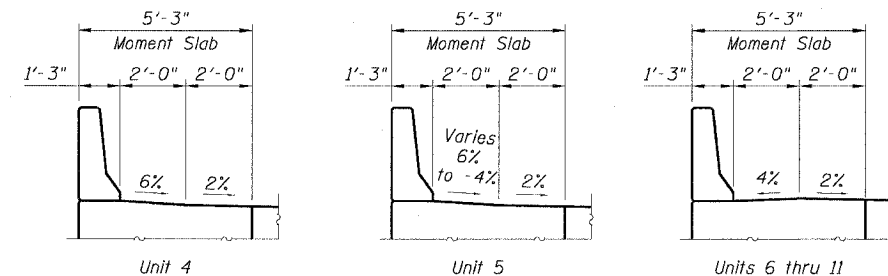
STATE OF ILLINOIS
DEPARTMENT OF TRANSPORTATION

F.A.I. RTE.	SECTION	COUNTY	TOTAL SHEETS	SHEET NO.
90/94	2021-922PT.1-AC	COOK	460	222
STA.	TO STA.			
FED. ROAD DIST. NO. 1	ILLINOIS	FED. AID PROJECT		

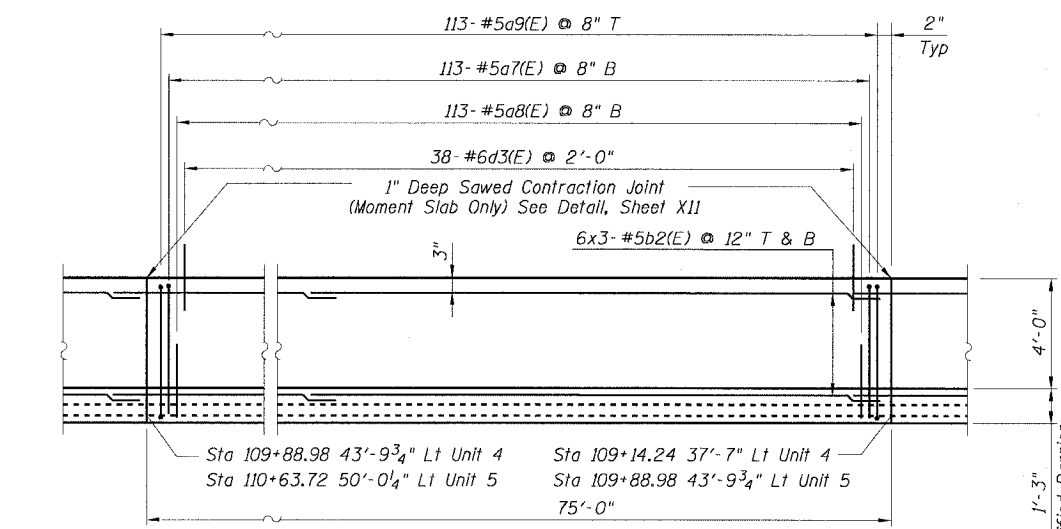
62693



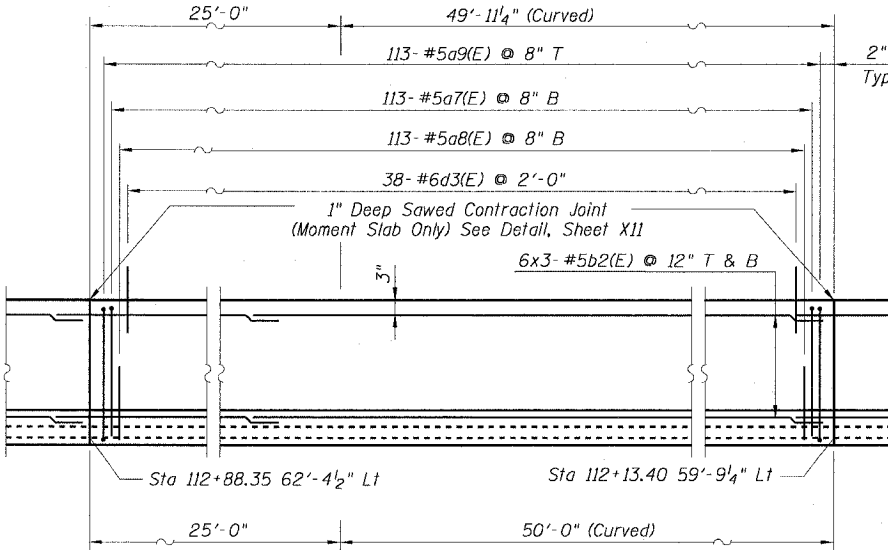
MOMENT SLAB AND MODIFIED BARRIER ELEVATION - UNITS 4 THRU 10
(Looking East)



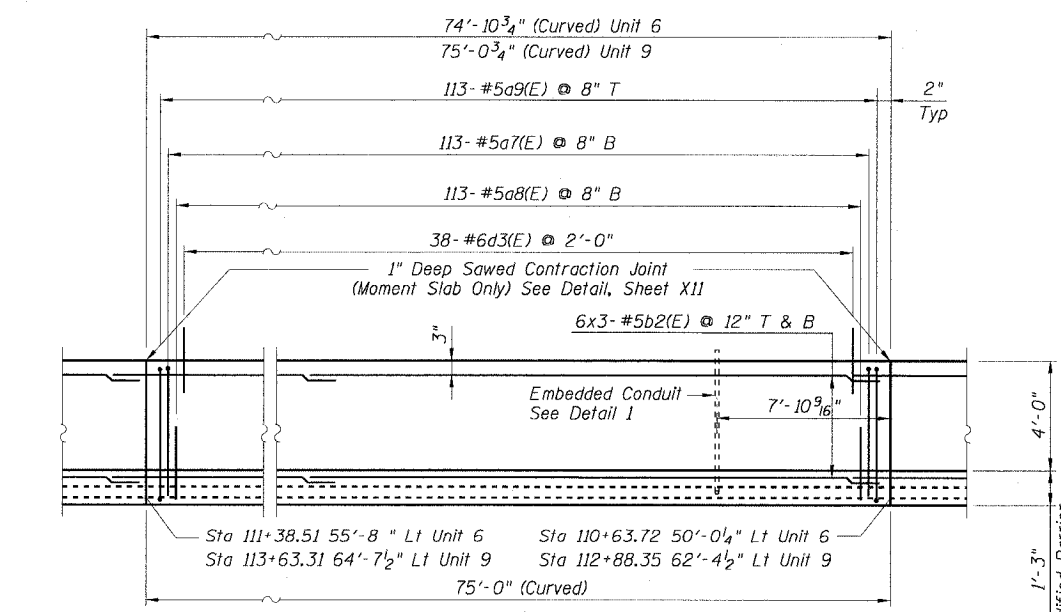
MOMENT SLAB PAVEMENT CROSS SLOPES



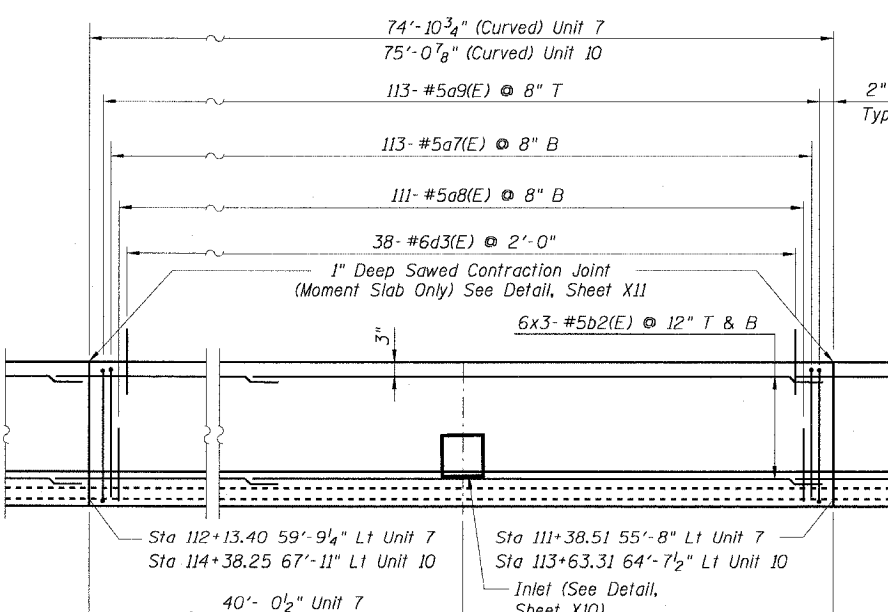
MOMENT SLAB PLAN - UNITS 4 AND 5



MOMENT SLAB PLAN - UNIT 8

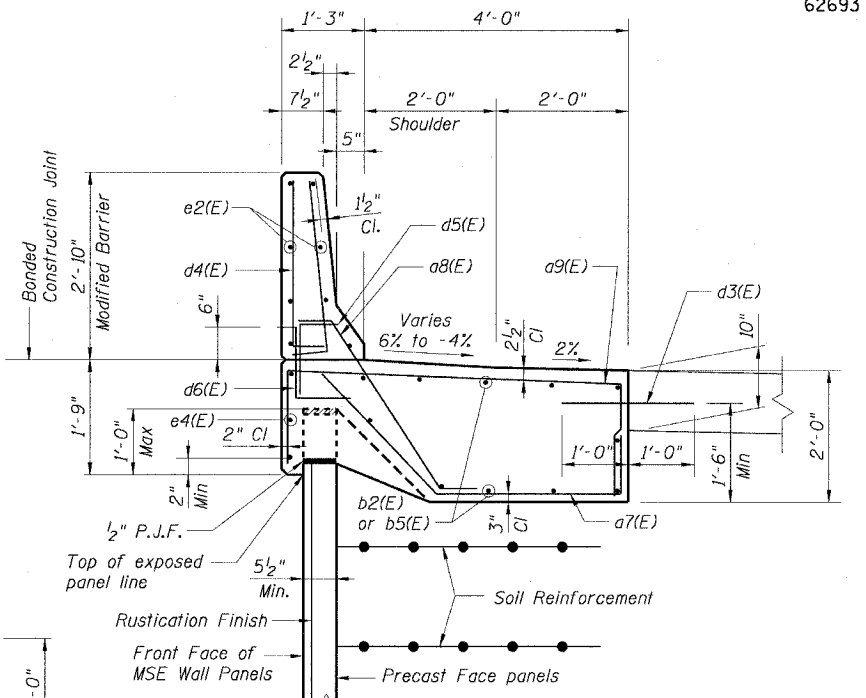


MOMENT SLAB PLAN - UNITS 6 AND 9

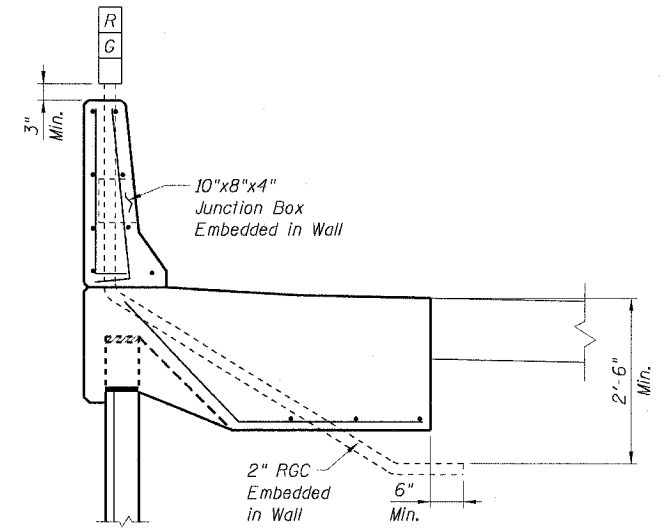


MOMENT SLAB PLAN - UNITS 7 AND 10

NOTE:
Space Reinforcement Bars to clear Embedded Junction Box and Conduit.



TYPICAL CROSS SECTION
STA. 109+14.24 TO STA. 114+71.57
(Looking North)



EMBEDDED JUNCTION BOX, DETAIL 1
STA. 110+71.60

See Electrical Infrastructure Plans for Additional Information
(Looking North)

Sheet X9 of 14

REVISIONS	DATE
NAME	

ILLINOIS DEPARTMENT OF TRANSPORTATION
F.A.I. 90/94 (DAN RYAN EXPRESSWAY)
MOMENT SLAB DETAILS - UNITS 4 THRU 10
SOUTH WENTWORTH AVENUE RETAINING WALL
WEST 55TH STREET TO WEST 51ST STREET
SECTION (2021-922 PT.1, 2 & 2122-921 PT.1) R-4
STATION 108+14.88 TO 114+71.57
COOK COUNTY SN. 016-W882
SCALE: None DRAWN BY: CHD/RJ
DATE: October 29, 2004 CHECKED BY: MJP