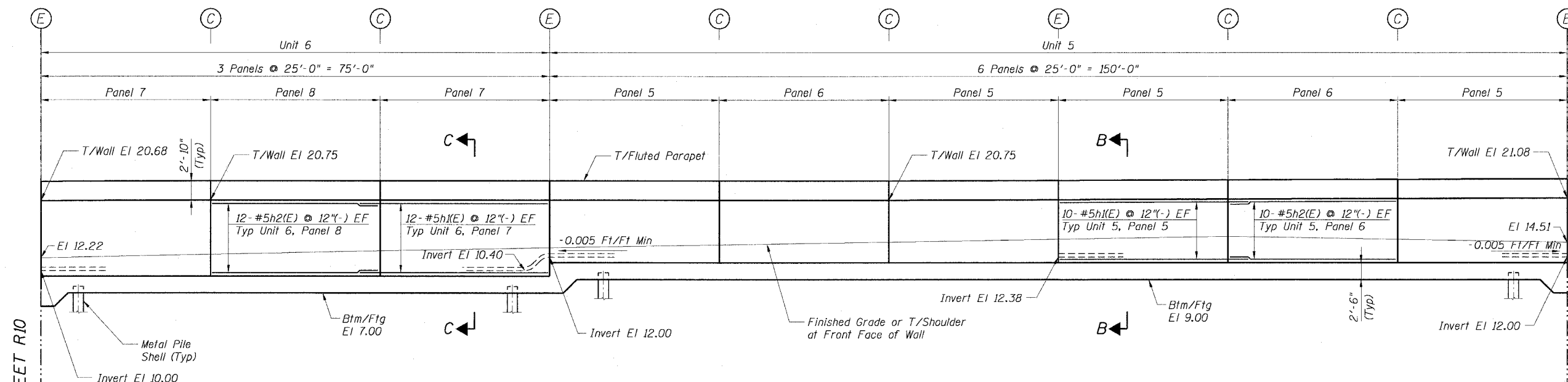


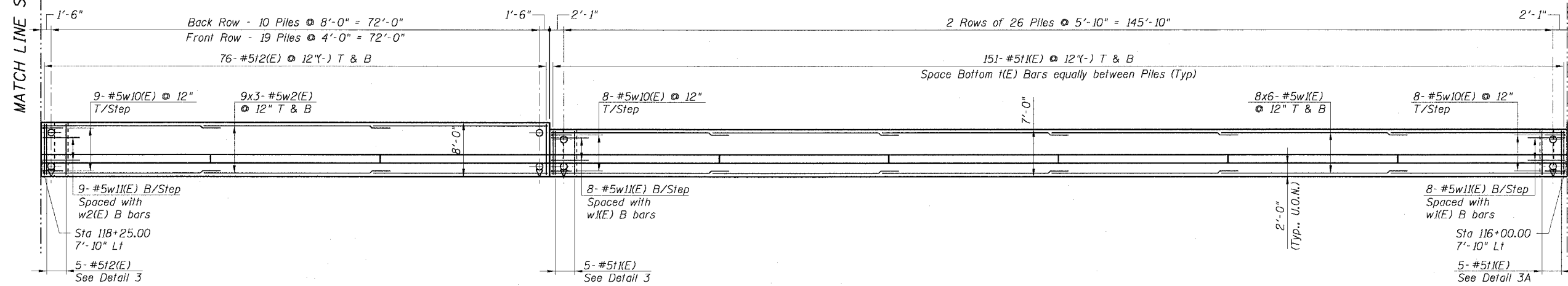
STATE OF ILLINOIS  
DEPARTMENT OF TRANSPORTATION

F.A.I. RTE.	SECTION	COUNTY	TOTAL SHEETS	SHEET NO.
90/94	2021-922PT.1-AC	COOK	460	236
STA.	TO STA.			
FED. ROAD DIST. NO. 1	ILLINOIS	FED. AID PROJECT		

62693



**FRONT FACE ELEVATION**  
(Looking East)  
(Rustication not shown for clarity)



**FOOTING PLAN**



Sheet R9 of 28

REVISIONS	
NAME	DATE

ILLINOIS DEPARTMENT OF TRANSPORTATION  
F.A.I. 90/94 (DAN RYAN EXPRESSWAY)  
**DETAILED PLAN AND ELEVATION**  
SOUTH WENTWORTH AVENUE RETAINING WALL  
WEST 59TH STREET TO WEST 63RD STREET  
SECTION 2021-922PT.1-AC  
STATION 111+25.00 TO 126+89.58  
COOK COUNTY S.N. 016-W886

SCALE: None DRAWN BY: ET  
DATE: October 29, 2004 CHECKED BY: JSS/MM



10/21/2004 04:41:31 PM