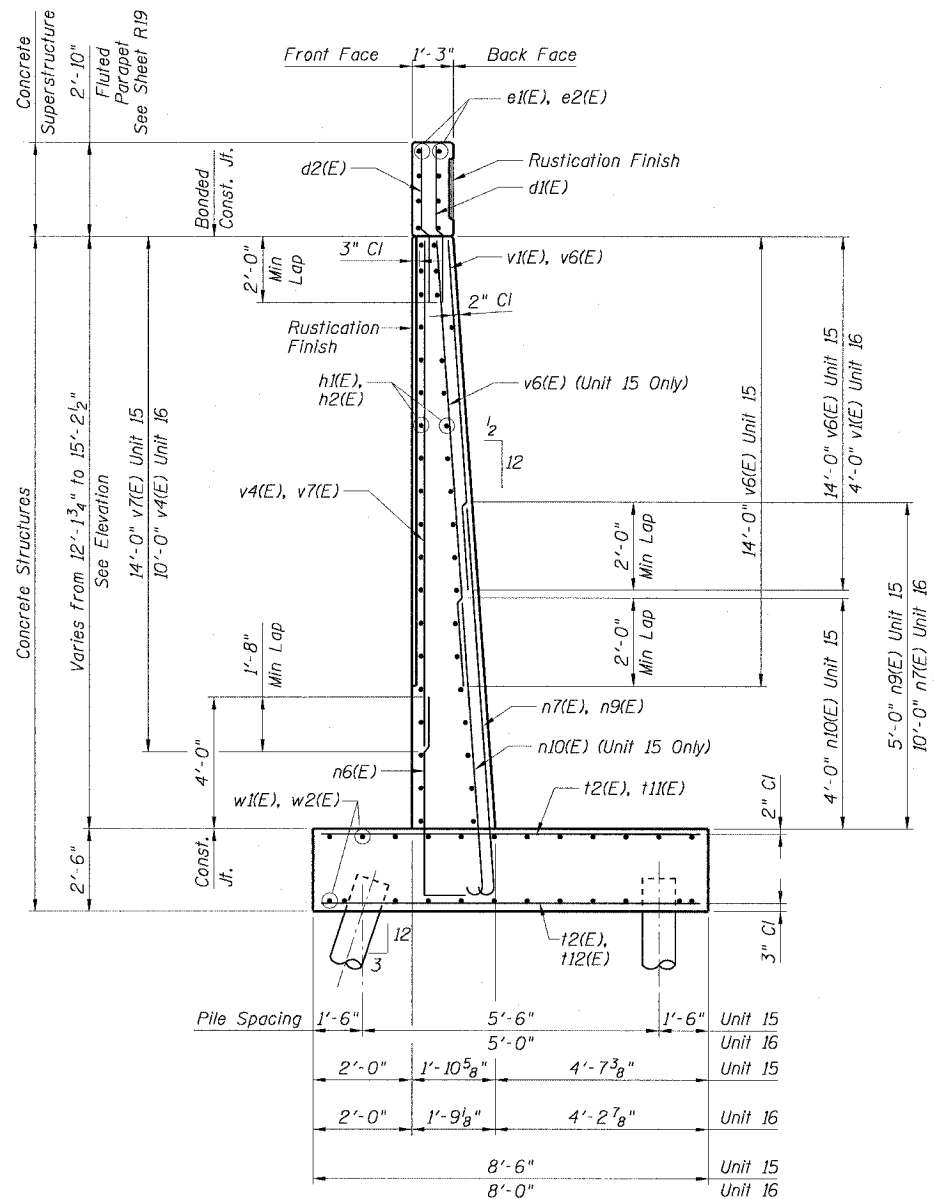


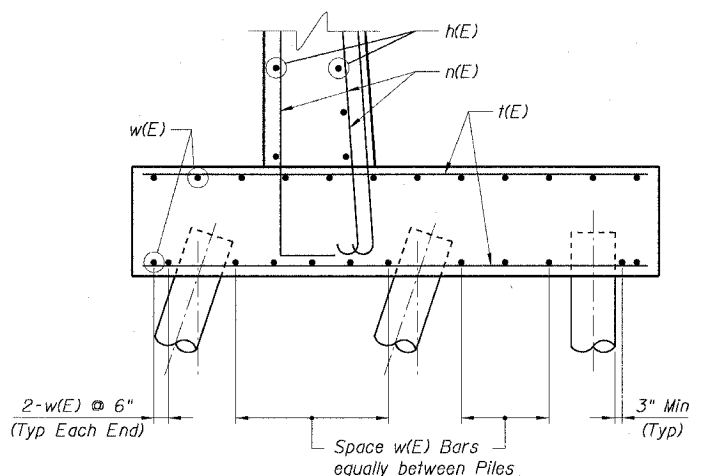
STATE OF ILLINOIS
DEPARTMENT OF TRANSPORTATION

F.A.I. RTE.	SECTION	COUNTY	TOTAL SHEETS	SHEET NO.
90/94/2021-922PT.1-AC	COOK	460	244	
STA.	TO STA.			
FED. ROAD DIST. NO. 1	ILLINOIS	FED. AID PROJECT		

62693



SECTION G-G
Unit 15, Sta 124+75.00 to Sta 125+25.00
Unit 16, Sta 125+25.00 to Sta 125+75.00



TYPICAL FOOTING REINFORCEMENT LAYOUT



REVISIONS	
NAME	DATE

ILLINOIS DEPARTMENT OF TRANSPORTATION
F.A.I. 90/94 (DAN RYAN EXPRESSWAY)
WALL SECTIONS
SOUTH WENTWORTH AVENUE RETAINING WALL
WEST 59TH STREET TO WEST 63RD STREET
SECTION 2021-922 PT.1-AC
STATION 111+25.00 TO 126+89.58
COOK COUNTY S.N. 016-W886

SCALE: None DRAWN BY: ET
DATE: October 29, 2004 CHECKED BY: JSS/MM

10/21/2004 04:41:36 PM