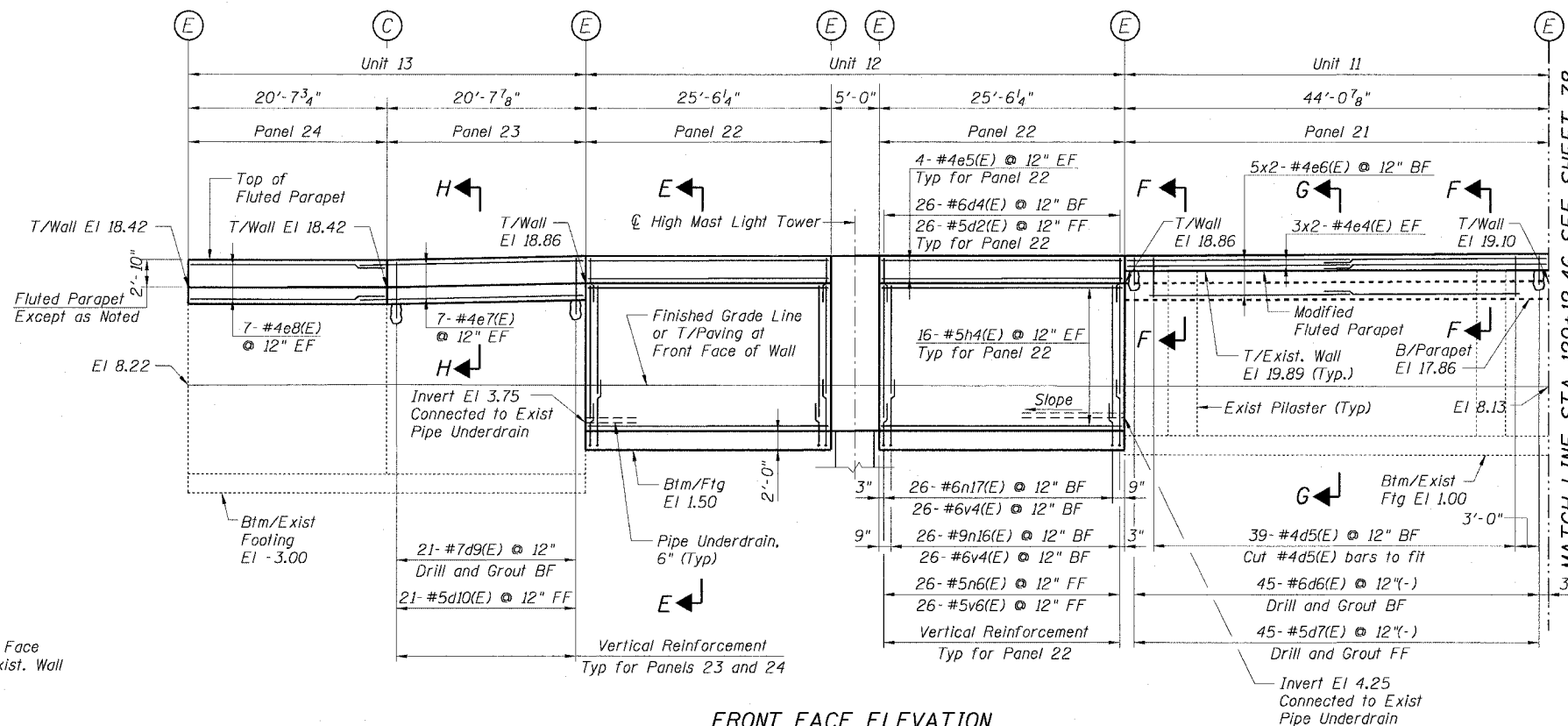


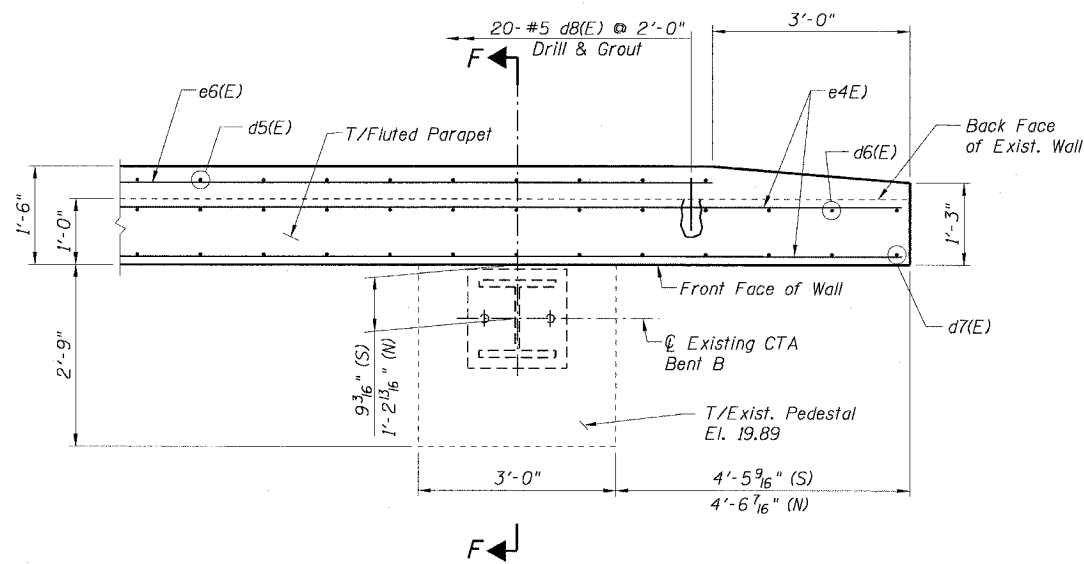
STATE OF ILLINOIS  
DEPARTMENT OF TRANSPORTATION

F.A.I. RTE.	SECTION	COUNTY	TOTAL SHEETS	SHEET NO.
90/94	2021-922PT.1-AC	COOK	460	264
STA.	TO STA.			
FED. ROAD DIST. NO. 1	ILLINOIS	FED. AID PROJECT		

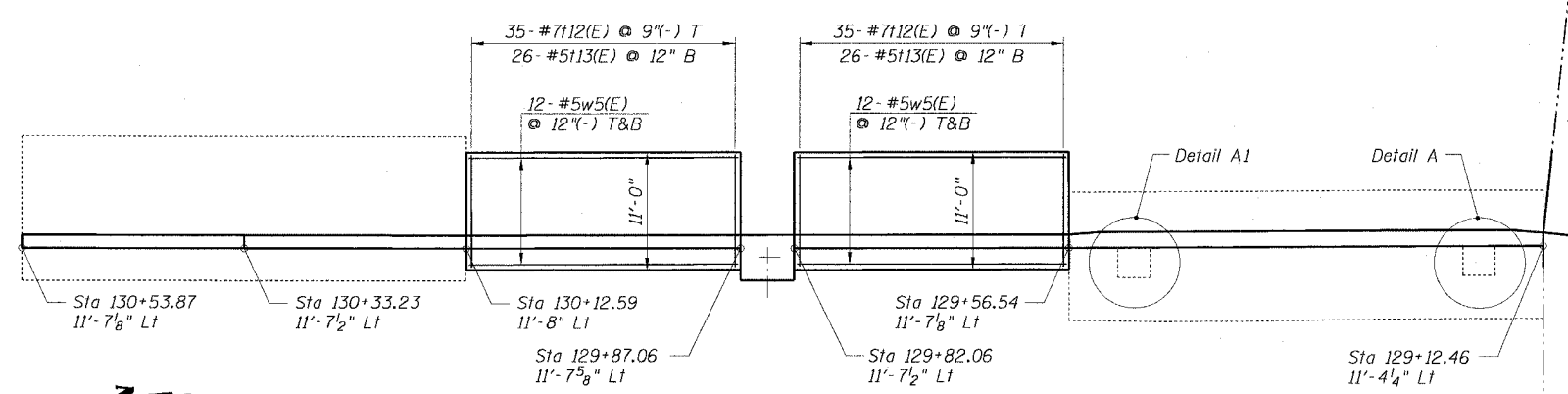
62693



FRONT FACE ELEVATION  
(Looking East)



DETAIL A (SHOWN)  
DETAIL A1 (OPP. HAND)



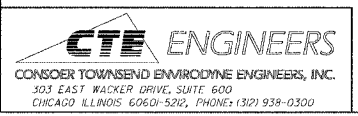
FOOTING PLAN

NOTE:  
For Sections E-E, F-F, G-G & H-H  
see Sheets Z11 and Z12.

Sheet 29 of 21

REVISIONS	
NAME	DATE

ILLINOIS DEPARTMENT OF TRANSPORTATION  
F.A.I. 90/94 (DAN RYAN EXPRESSWAY)  
DETAILED PLAN AND ELEVATION  
SOUTH WENTWORTH AVENUE RETAINING WALL  
WEST 59TH STREET TO WEST 63RD STREET  
SECTION 2021-922PT.1-AC  
STATION 122+46.54 TO 130+53.87  
COOK COUNTY S.N. 016-W887-W965  
SCALE: None DRAWN BY: ET  
DATE: October 29, 2004 CHECKED BY: JSS/MM



11/23/2004 01:27:52 PM