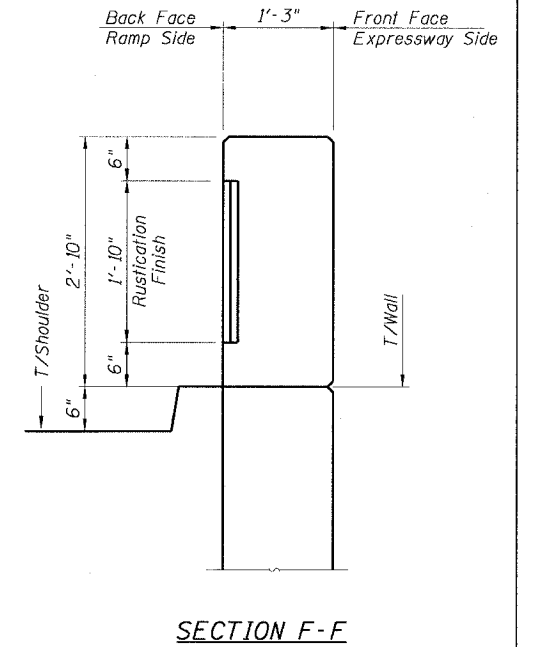
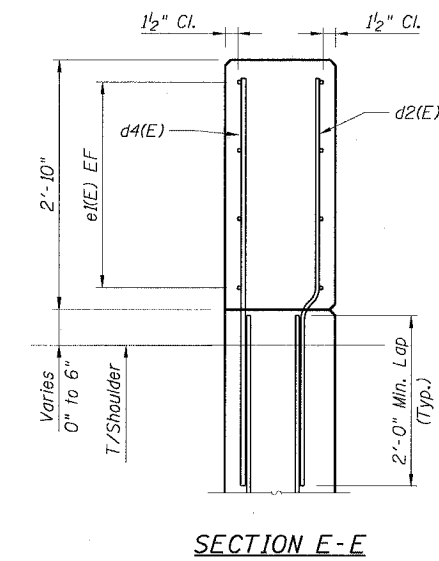
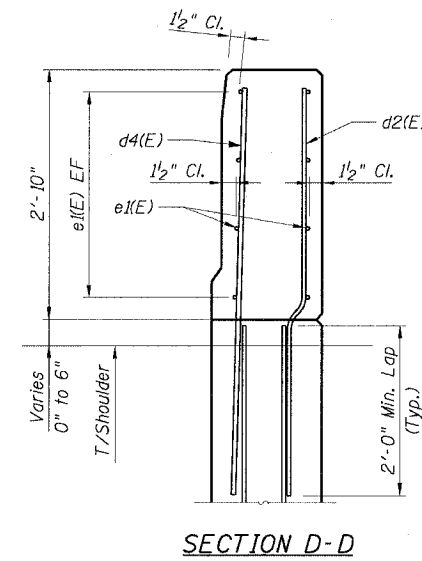
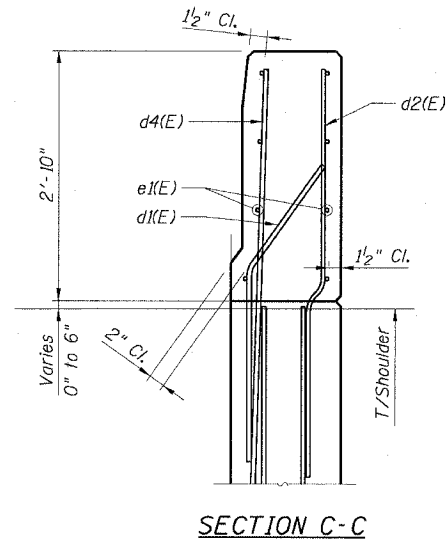
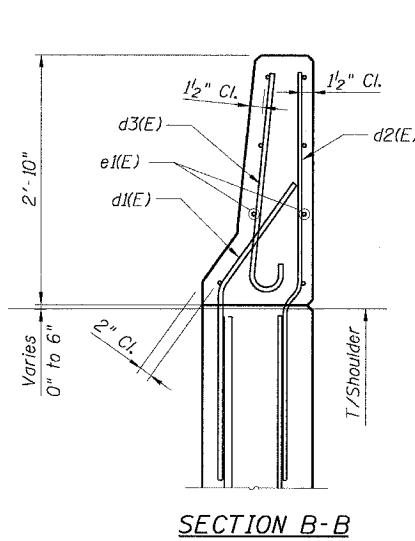
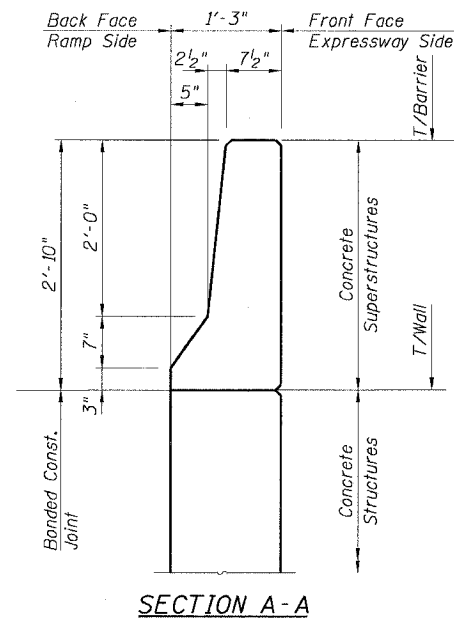
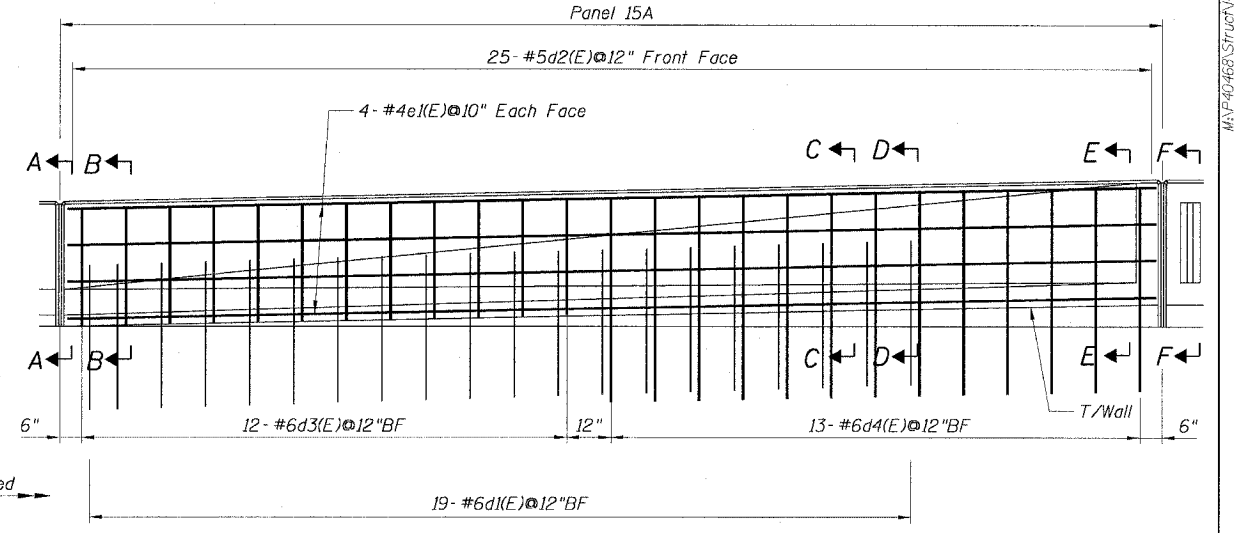
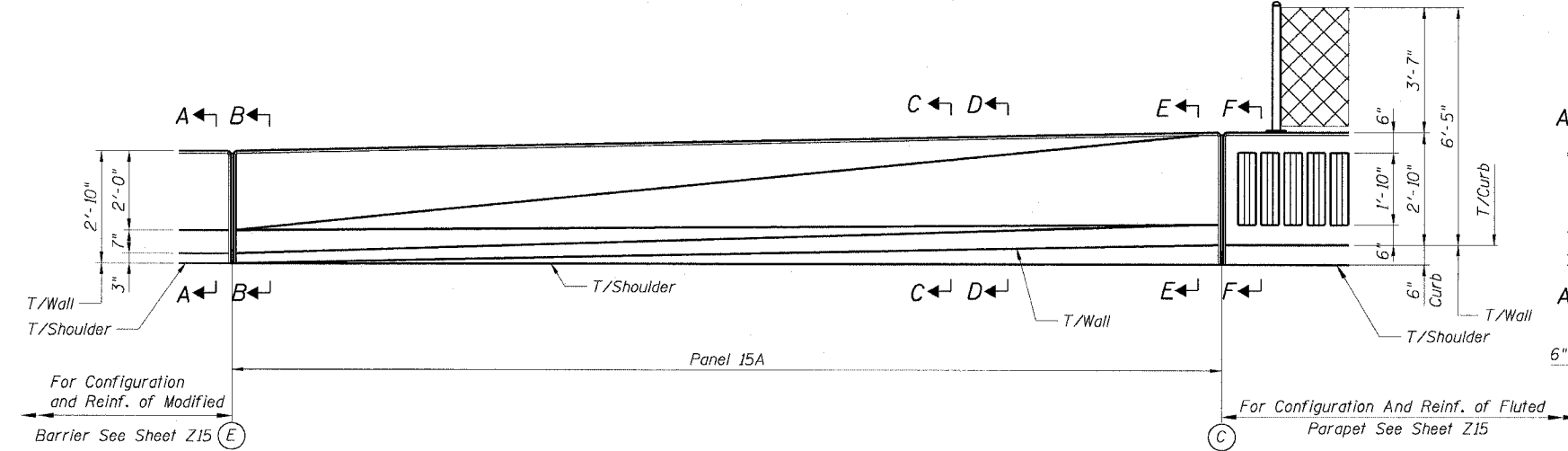
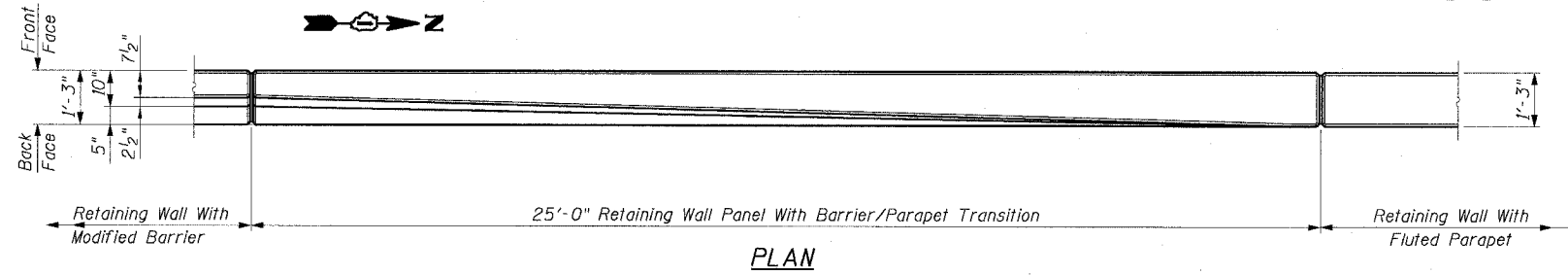


STATE OF ILLINOIS  
DEPARTMENT OF TRANSPORTATION

F.A.I. RTE.	SECTION	COUNTY	TOTAL SHEETS	SHEET NO.
90/94	2021-922PT.1-AC	COOK	460	269
STA.	TO STA.			
FED. ROAD DIST. NO. 1	ILLINOIS	FED. AID PROJECT		
62693				



LEGEND:

- (C) Construction Joint
- (E) Expansion Joint
- [Cross-hatched box] Fence Fabric
- [Vertical lines box] Rustication Finish

REVISIONS	
NAME	DATE

ILLINOIS DEPARTMENT OF TRANSPORTATION  
F.A.I. 90/94 (DAN RYAN EXPRESSWAY)  
PARAPET TRANSITION  
SOUTH WENTWORTH AVENUE RETAINING WALL  
WEST 59TH STREET TO WEST 63RD STREET  
SECTION 2021-922 PT. 1-AC  
STATION 122+46.54 TO 130+53.57  
COOK COUNTY S.N. 016-W887-W965  
SCALE: None DRAWN BY: ET  
DATE: October 29, 2004 CHECKED BY: JSS/MM