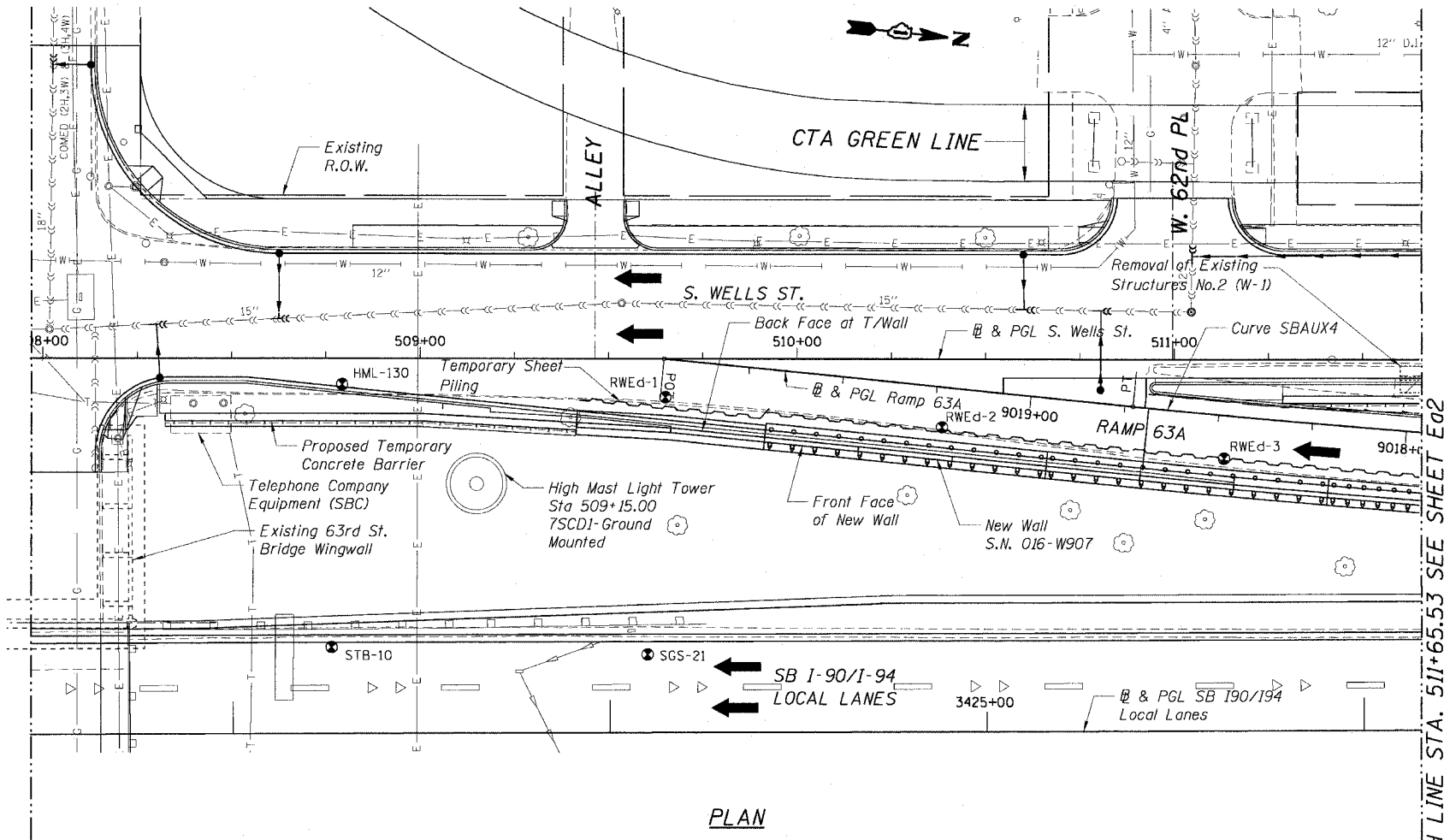


STATE OF ILLINOIS  
DEPARTMENT OF TRANSPORTATION

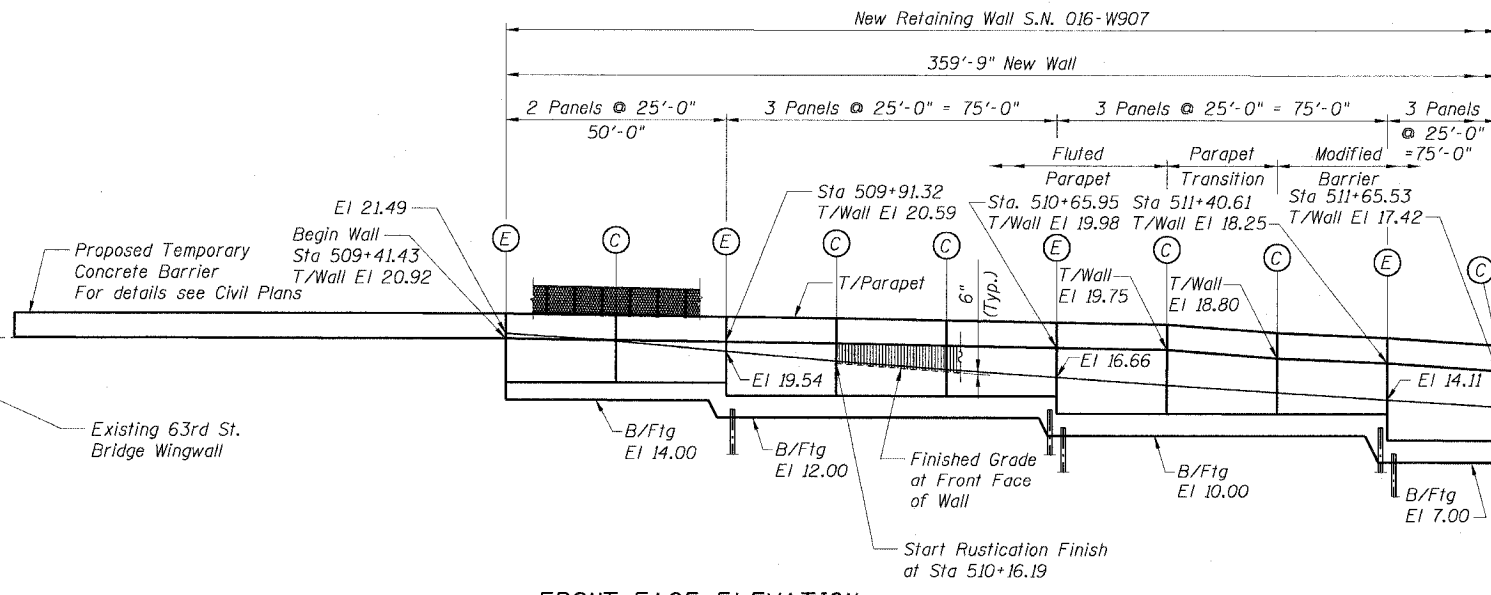
Bench Mark: No. 3533 Brass disk (CTA Monument) at the Southwest corner of 63rd St. and Harvard Ave. El. 19.71

Existing Structure: None

F.A.I. NO.	SECTION	COUNTY	TOTAL SHEETS	SHEET NO.
90/94	2021-922PT.1-AC	COOK	460	277
STA.	TO STA.			
FED. ROAD DIST. NO. 1 ILLINOIS		FED. AID PROJECT		
62693				



PLAN



FRONT FACE ELEVATION  
(Looking West)

INDEX OF SHEETS

- Ea1 General Plan I
- Ea2 General Plan II
- Ea3 Typical Sections
- Ea4 Elevation Temporary Sheet Piling
- Ea5 Detailed Plan and Elevation
- Ea6 Detailed Plan and Elevation
- Ea7 Wall Sections
- Ea8 Wall Sections and Details
- Ea9 Parapet Transition
- Ea10 Fluted Parapet & Modified Barrier Details
- Ea11 Reinforcement Details
- Ea12 Soil Boring Logs

LEGEND

- (C) - Construction Joint
- (E) - Expansion Joint
- (S) - Soil Boring Location
- [Hatched] - Chain Link Fence, 42" Attached to Structure (Special)
- [Arrow] - Direction of Traffic
- [Solid Line] - New Structure
- [Dashed Line] - Existing Structure

ABBREVIATIONS:

- B Bottom
- BF Back Face
- BL Base Line
- EF Each Face
- EW Each Way
- FF Front Face
- Ftg Footing
- Lt Left
- PGL Profile Grade Line
- Rt Right
- Sta Station
- T Top

NOTES:

1. For Curve Data see Sheet Ea2.
2. For General Notes see Sheet Ea2.
3. For Pile Layout, see Sheets Ea5 and Ea6.
4. For High Mast Light Tower Details, see LTF Sheets.
5. For Chain Link Fence, 42" Attached to Structure (Special) Details, see Sheet SD1.
6. For Retaining Wall Rustication Details, see Sheet SD6.

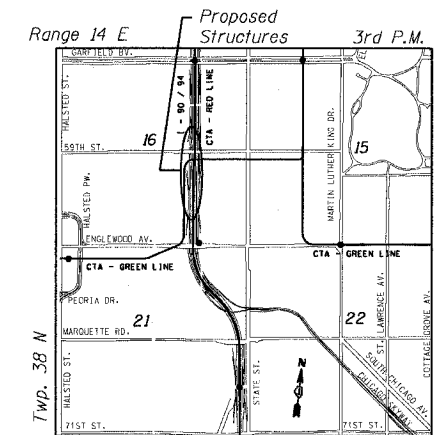
TOTAL BILL OF MATERIAL		
Item	Unit	Quantity
Porous Granular Embankment	Cu Yd	293
Structure Excavation	Cu Yd	930
Concrete Structures	Cu Yd	330
Concrete Superstructure	Cu Yd	40
Protective Coat	Sq Yd	383
Rustication Finish	Sq Ft	1164
Reinforcement Bars, Epoxy Coated	Pound	40060
Pipe Underdrains for Structures, 6"	Foot	369
Temporary Sheet Piling	Sq Ft	7830
Chain Link Fence, 42" Attached to Structure (Special)	Foot	150
Furnishing Metal Pile Shells 12"	Foot	2677
Driving and Filling Shells	Foot	2677
Test Pile Metal Shells	Each	2

DESIGN SPECIFICATIONS

2002 AASHTO, Standard Specifications for Highway Bridges

DESIGN STRESSES

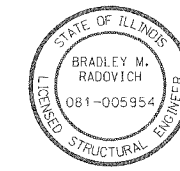
FIELD UNITS  
f'c = 3,500 psi  
fy = 60,000 psi (Reinf.)



LOCATION SKETCH

Sheet Ea1 of 12

**CTE ENGINEERS**  
CONSOER TOWNSEND ENVIRONMENTAL ENGINEERS, INC.  
303 EAST WACKER DRIVE, SUITE 600  
CHICAGO, ILLINOIS 60601-5212, PHONE: (312) 938-0300



Bradley M. Radovich 11/29/04  
EXPIRATION DATE: 11-30-2004

REVISIONS	
NAME	DATE

ILLINOIS DEPARTMENT OF TRANSPORTATION  
F.A.I. 90/94 (DAN RYAN EXPRESSWAY)  
GENERAL PLAN I  
SOUTH WELLS STREET RETAINING WALL  
WEST 63RD STREET TO WEST 62ND STREET  
SECTION (2021-922PT.1-AC)  
STATION 509+41.43 TO 513+00.04  
COOK COUNTY SN. 016-W907  
SCALE: None DRAWN BY: ET/CHD  
DATE: October 29, 2004 CHECKED BY: CG/AJS

M:\440466\STRUCT\44-CRIT\3533\W907\RT\090102\016-W907.dwg 11/29/2004 09:33:31 AM