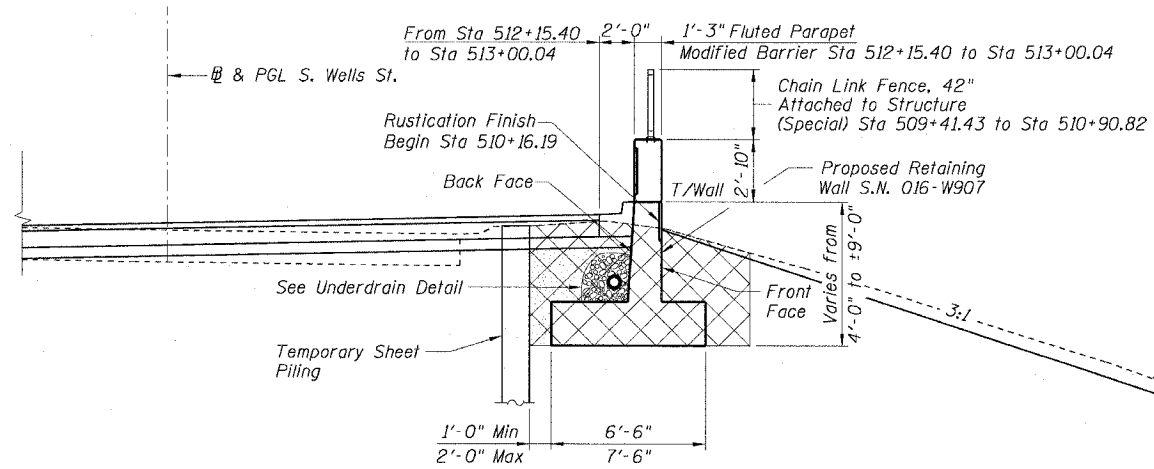


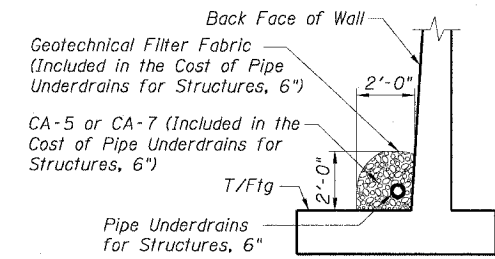
STATE OF ILLINOIS
DEPARTMENT OF TRANSPORTATION

F.A.I. RTE.	SECTION	COUNTY	TOTAL SHEETS	SHEET NO.
90/94	2021-922PT.1-AC	COOK	460	279
STA.	TO STA.			
FED. ROAD DIST. NO. 1	ILLINOIS	FED. AID PROJECT		

62693



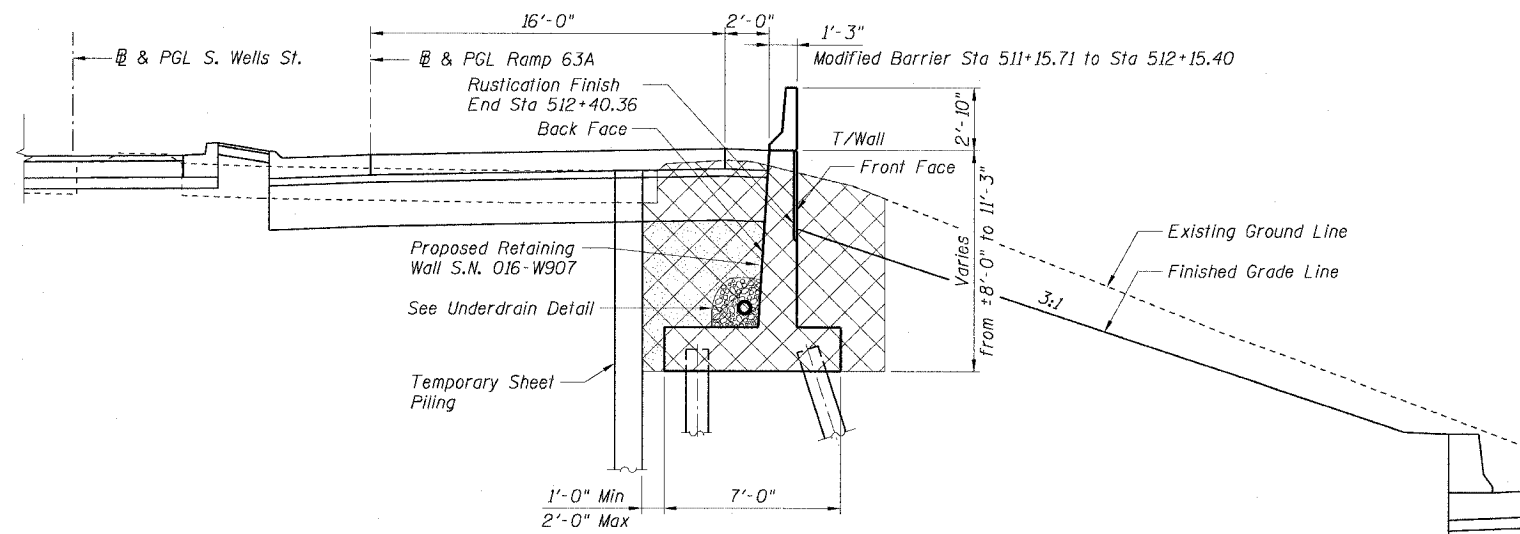
TYPICAL SECTION
STA. 509+41.43 to 509+91.32
STA. 512+15.40 to 513+00.04
(Looking North)



TYP. UNDERDRAIN DETAIL
BEHIND RETAINING WALL

NOTES:

1. For Fluted Parapet and Modified Barrier Details see Sheet Ea10.
2. For Limits of Temporary Sheet Piling see Sheet Ea4.
3. For Chain Link Fence, 42" Attached to Structure (Special) Details see Sheet SD1.
4. For Pile Details see Sheet SD7.



TYPICAL SECTION
STA. 509+91.32 to 512+15.40
(Looking North)

LEGEND

- Structure Excavation
- Porous Granular Embankment

REVISIONS		DESCRIPTION
NAME	DATE	

Sheet Ea3 of 12

ILLINOIS DEPARTMENT OF TRANSPORTATION
F.A.I. 90/94 (DAN RYAN EXPRESSWAY)
TYPICAL SECTIONS
SOUTH WELLS STREET RETAINING WALL
WEST 63RD STREET TO WEST 62ND STREET
SECTION (2021-922PT.1-AC)
STATION 509+41.43 TO 513+00.04
COOK COUNTY SN. 016-W907

SCALE: None DRAWN BY: ET/CHD
DATE: October 29, 2004 CHECKED BY: CG/AJS

M:\P40465\STRUCT\4-Conf\90\STW\907\RT090003\24016-W907.dwg 10/23/2004 10:51:44 AM