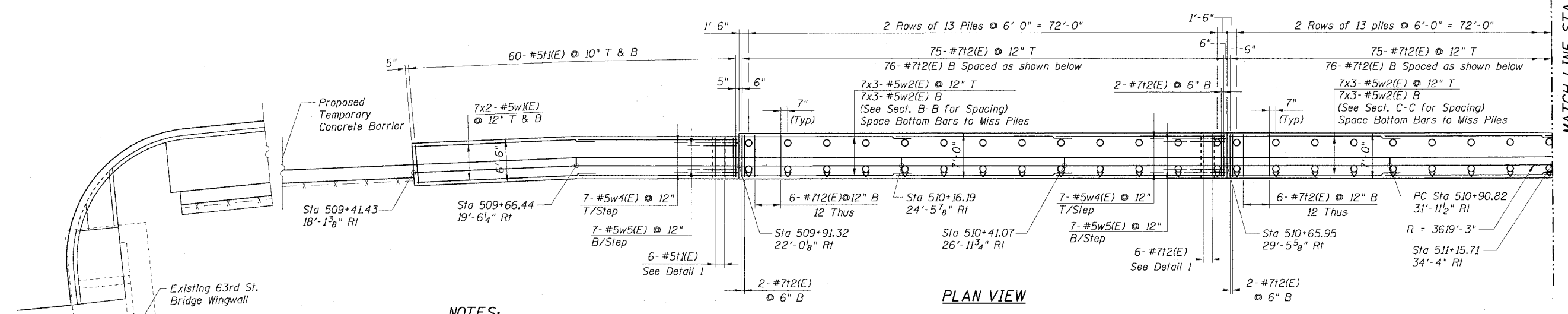
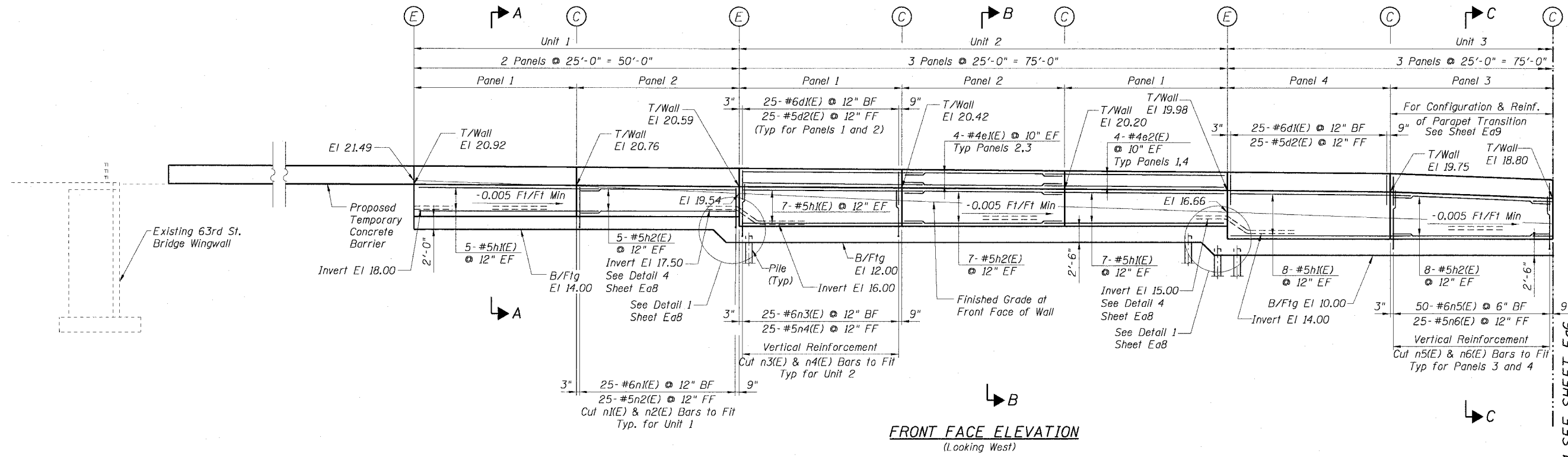


STATE OF ILLINOIS  
DEPARTMENT OF TRANSPORTATION

F.A.I. RTE.	SECTION	COUNTY	TOTAL SHEETS	SHEET NO.
90/94	2021-922PT.1-AC	COOK	460	281
STA.	TO STA.			
FED. ROAD DIST. NO. 1	ILLINOIS	FED. AID PROJECT		

62693



**NOTES:**

- For Wall Sections see Sheets Ea7 to Ea8.
- For Step Details see Sheet Ea8.
- For Bar Bending Diagrams see Sheet Ea11.
- For Non-Metallic Sleeve and Grout detail see Sheet Ea8.
- Minimum lap lengths for horizontal bars shall be as follows:  
for #4e bars - 1'-8"  
for #5h bars - 2'-2"  
for #5w bars - 2'-5"
- Bars indicated thus 18x6-#5 etc. indicates 18 lines of bars with 6 lengths per line.
- Work Sheets Ea5 to Ea6 together

REVISIONS	
NAME	DATE

Sheet Ea5 of 12

ILLINOIS DEPARTMENT OF TRANSPORTATION  
F.A.I. 90/94 (DAN RYAN EXPRESSWAY)  
DETAILED PLAN AND ELEVATION  
SOUTH WELLS STREET RETAINING WALL  
WEST 63RD STREET TO WEST 62ND STREET  
SECTION (2021-922PT.1-AC)  
STATION 509+41.43 TO 513+00.04  
COOK COUNTY SN. 016-W907

SCALE: None DRAWN BY: ET/CHD  
DATE: October 29, 2004 CHECKED BY: CJG/AJS

MATCH LINE STA 511+15.71 SEE SHEET E06

11/23/2004 10:59:21 AM