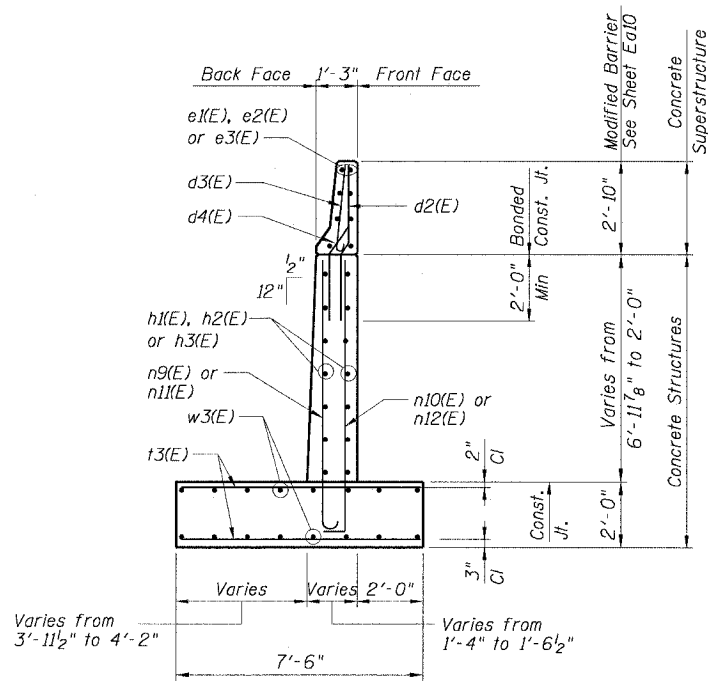


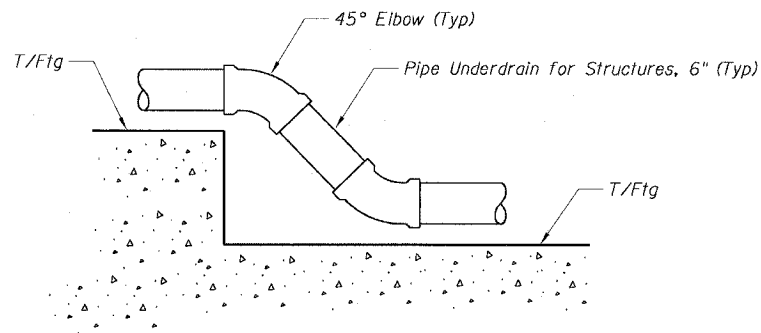
STATE OF ILLINOIS  
DEPARTMENT OF TRANSPORTATION

F.A.I. RTE.	SECTION	COUNTY	TOTAL SHEETS	SHEET NO.
90/94	2021-922PT.1-AC	COOK	460	284
STA.	TO STA.			
FED. ROAD DIST. NO. 1	ILLINOIS	FED. AID PROJECT		

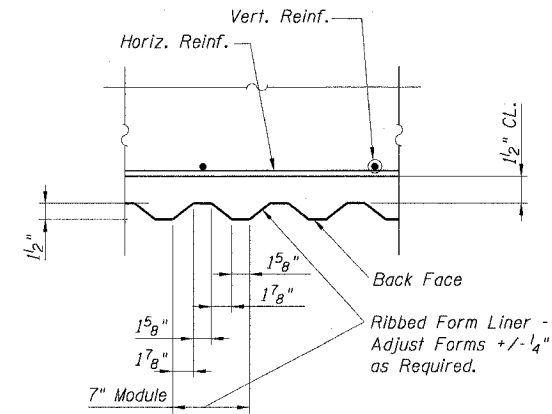
62693



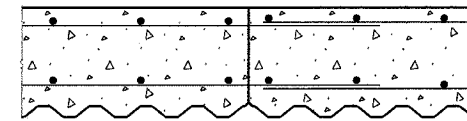
**SECTION E-E**  
Sta. 512+15.40 to Sta 513+00.04  
Maximum Applied Bearing Pressure: 2.40 Ksf



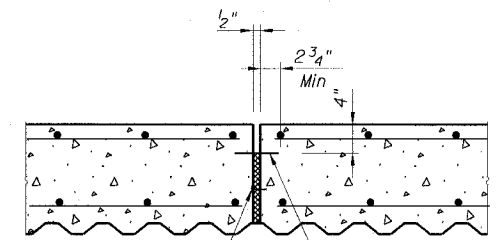
**ELEVATION VIEW  
DETAIL 4**  
45° Bend for Pipe Underdrains for Structures, 6" (Typ)



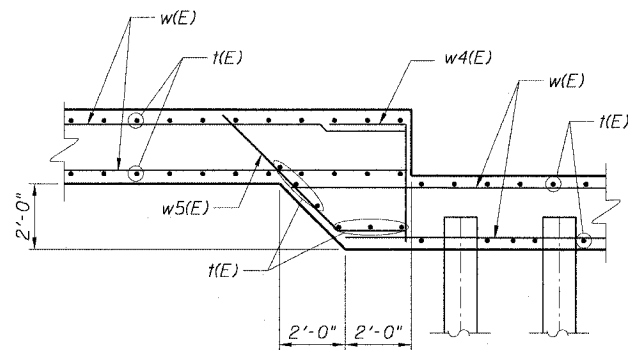
**RUSTICATION FINISH DETAIL**



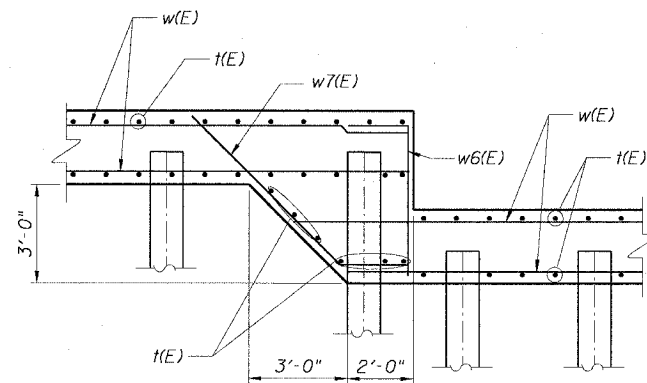
**CONSTRUCTION JOINT DETAIL  
W/RUSTICATION**



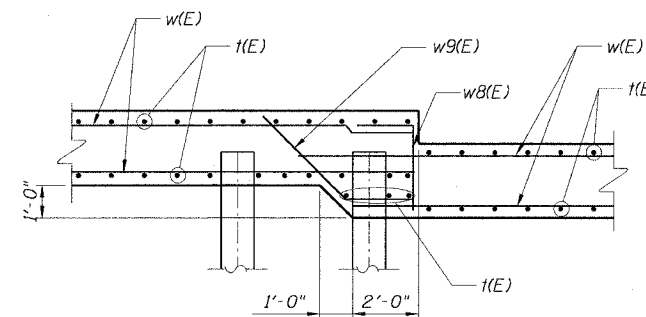
**EXPANSION JOINT DETAIL  
W/RUSTICATION**  
Concrete Nails Flat Head C.S.-1" Long @ 12" Cls. Vertical (Included in the cost of Concrete Superstructure)



**DETAIL 1**



**DETAIL 2**



**DETAIL 3**

REVISIONS	NAME	DATE

Sheet Ea8 of 12  
ILLINOIS DEPARTMENT OF TRANSPORTATION  
F.A.I. 90/94 (DAN RYAN EXPRESSWAY)  
WALL SECTIONS AND DETAILS  
SOUTH WELLS STREET RETAINING WALL  
WEST 63RD STREET TO WEST 62ND STREET  
SECTION (2021-922PT.1-AC)  
STATION 509+41.43 TO 513+00.04  
COOK COUNTY SN. 016-W907  
SCALE: None DRAWN BY: ET/CHD  
DATE: October 29, 2004 CHECKED BY: CJG/AJS

11/23/2004 11:02:00 AM