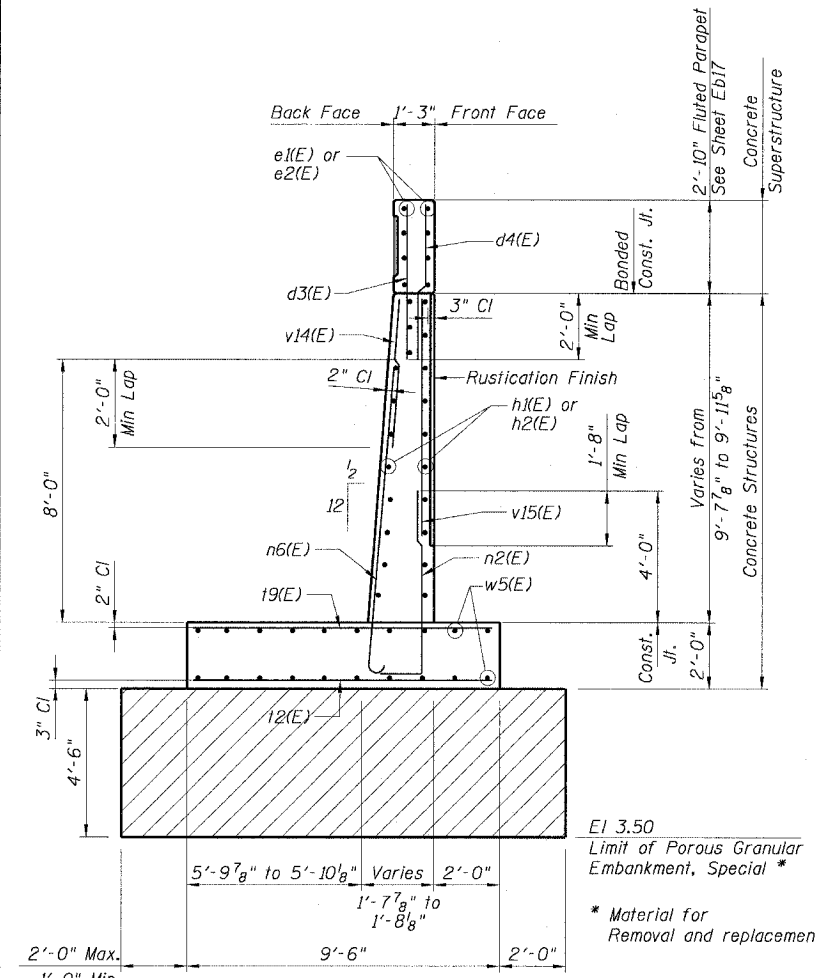


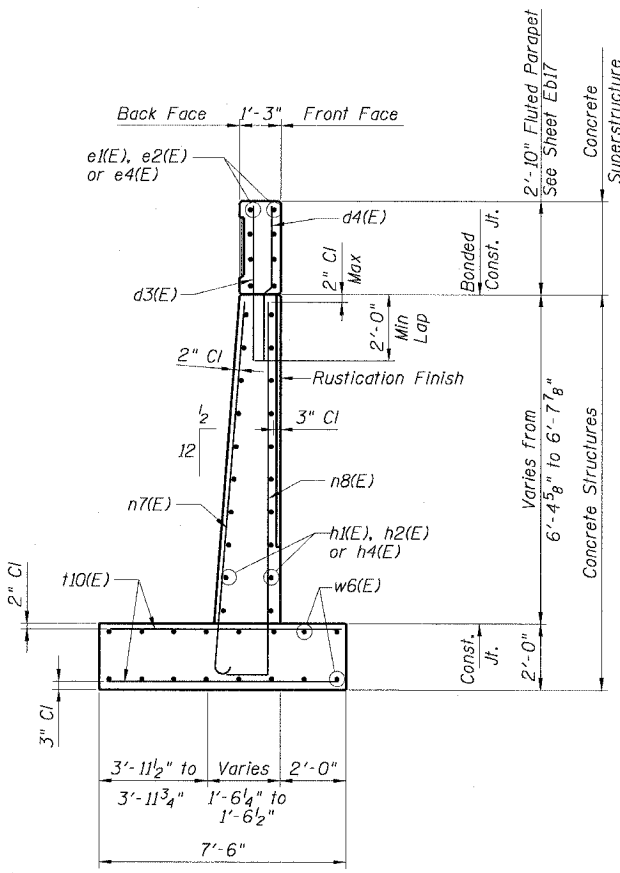
STATE OF ILLINOIS  
DEPARTMENT OF TRANSPORTATION

F.A.I. RTE.	SECTION	COUNTY	TOTAL SHEETS	SHEET NO.
90/94	2021-922PT.1-AC	COOK	460	304
STA.	TO STA.			
FED. ROAD DIST. NO. 1 ILLINOIS FED. AID PROJECT				

62693

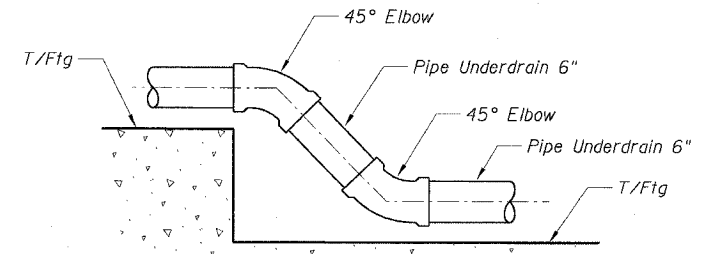


**SECTION D-D**  
(Unit 8)  
Sta. 526+90.19 to Sta. 527+65.19  
Maximum Applied Bearing Pressure: 2.9 Ksf

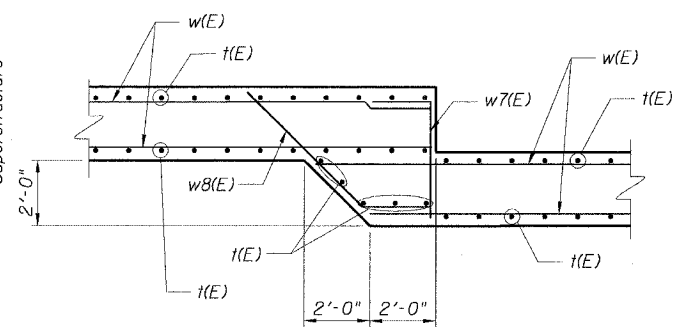


**SECTION E-E**  
(Unit 9)  
Sta. 527+65.19 to Sta. 528+23.69  
Maximum Applied Bearing Pressure: 2.3 Ksf

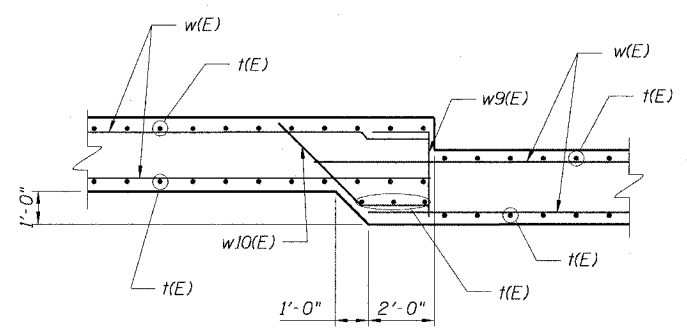
EI 3.50  
Limit of Porous Granular Embankment, Special  
\* Material for Removal and replacement



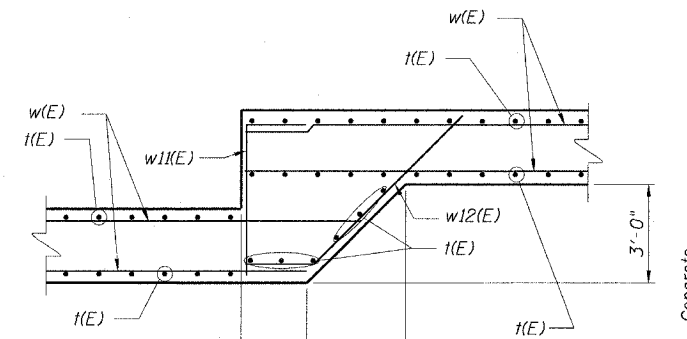
**DETAIL 6**  
45° Bend for Pipe Underdrain 6"



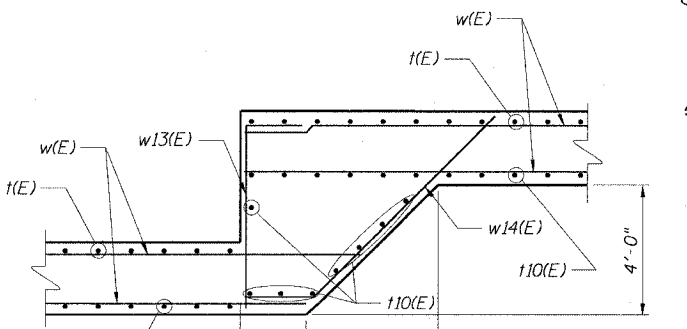
**DETAIL 1**



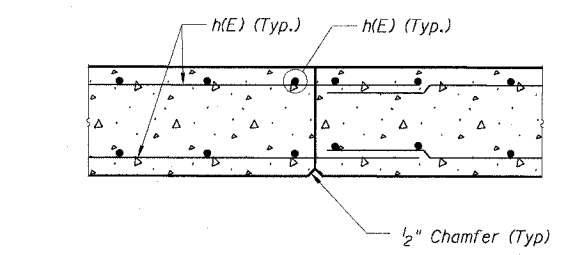
**DETAIL 2**



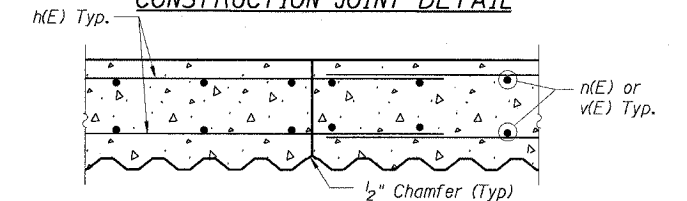
**DETAIL 3**



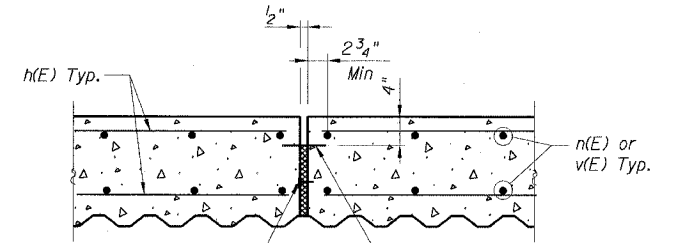
**DETAIL 4**



**CONSTRUCTION JOINT DETAIL**

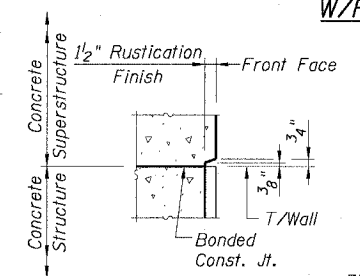


**CONSTRUCTION JOINT DETAIL W/RUSTICATION**

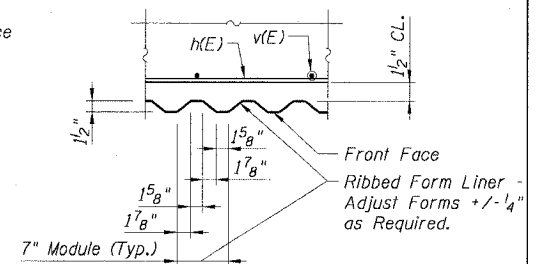


**EXPANSION JOINT DETAIL W/RUSTICATION**

Concrete Nails Flat Head C.S.-1" Long @ 12" Cts. Vertical (Included in the Cost of Concrete Structures)  
1/2" Preformed Joint Filler With A 6" Non-Metallic Water Seal Extend from T/Ftg to T/Wall (Included in the Cost of Concrete Structures)



**RUSTICATION FINISH AT BONDED CONST. JT.**



**RUSTICATION FINISH DETAIL**

**NOTES:**

- For location of Sections D-D, E-E and Details 1 thru 6 see Sheets Eb12 thru Eb14.
- For Expansion Joint and Expansion Joint Sealing Details see Sheet Eb17.
- For Expansion Joint Detail see Sheet EB17.

Sheet Eb16 of 23

REVISIONS	NAME	DATE

ILLINOIS DEPARTMENT OF TRANSPORTATION  
F.A.I. 90/94 (DAN RYAN EXPRESSWAY)  
WALL SECTIONS AND DETAILS  
SOUTH WELLS STREET RETAINING WALL  
WEST 62ND STREET TO WEST 59TH STREET  
SECTION 2021-922PT.1-AC  
STATION 513+16.20 TO 528+23.69  
COOK COUNTY SN. 016-W906-W903  
SCALE: None DRAWN BY: ET/CHD  
DATE: October 29, 2004 CHECKED BY: AJS/MM

11/23/2004 09:45:51 AM