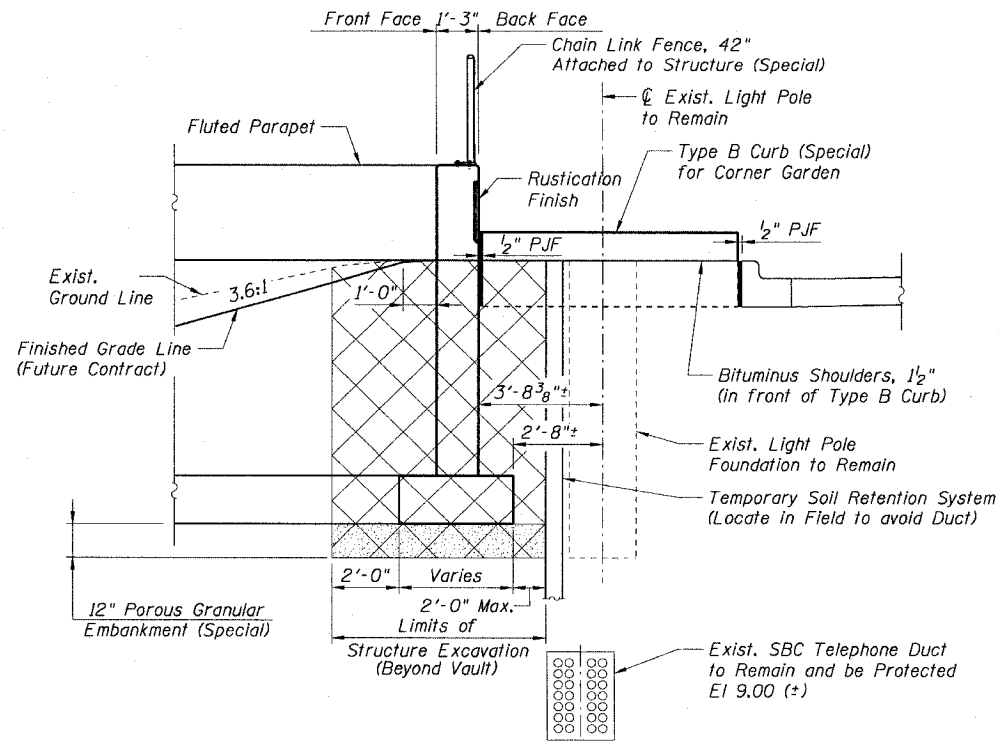
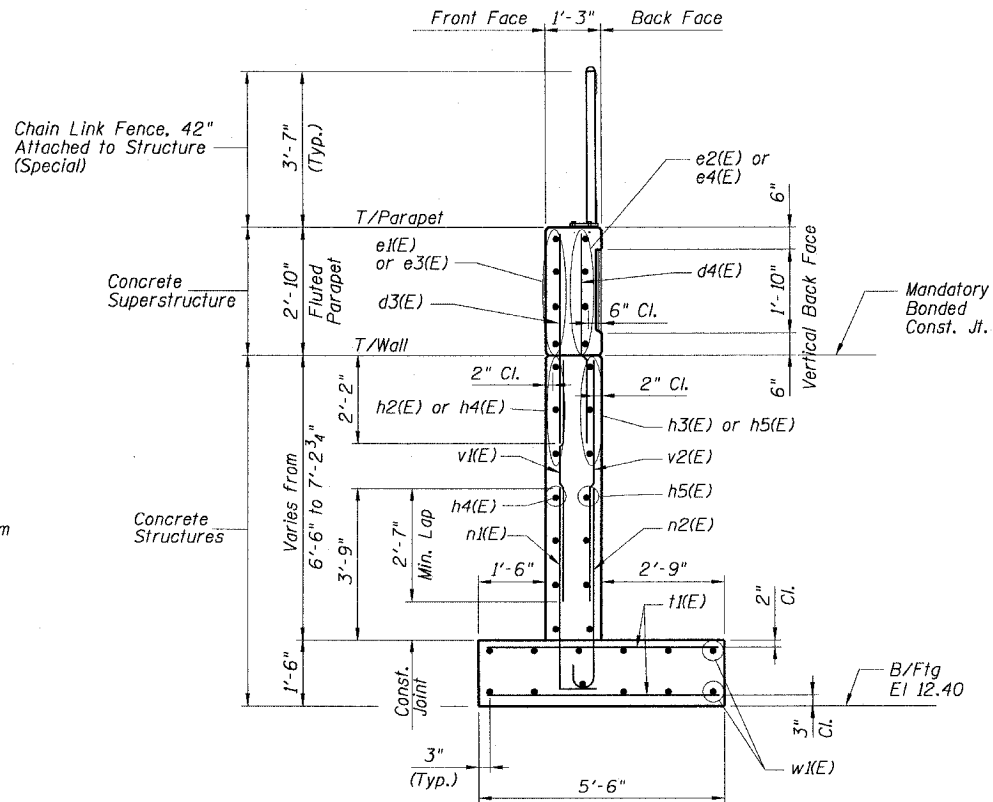


STATE OF ILLINOIS
DEPARTMENT OF TRANSPORTATION

F.A.I. RTE.	SECTION	COUNTY	TOTAL SHEETS	SHEET NO.
90/94	2021-922PT.1-AC	COOK	460	334
STA.	TO STA.			
FED. ROAD DIST. NO. 1	ILLINOIS	FED. AID PROJECT		
62693				

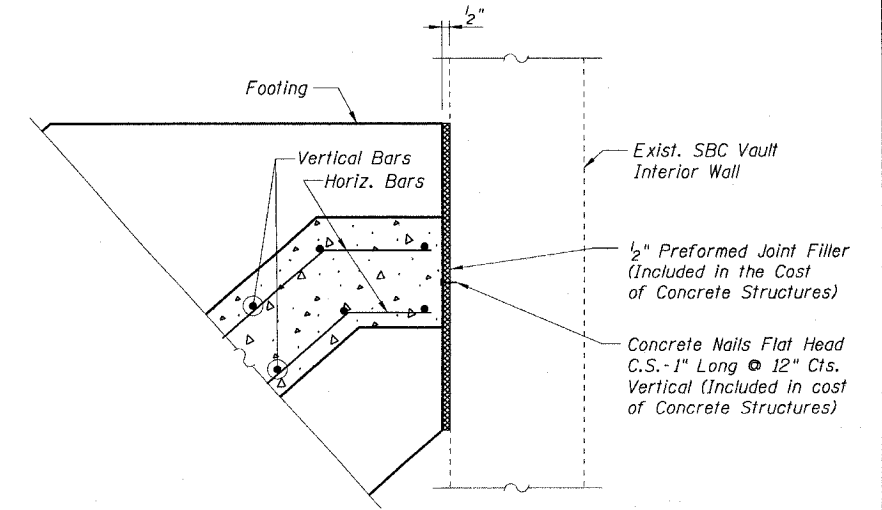


ELEVATION F-F

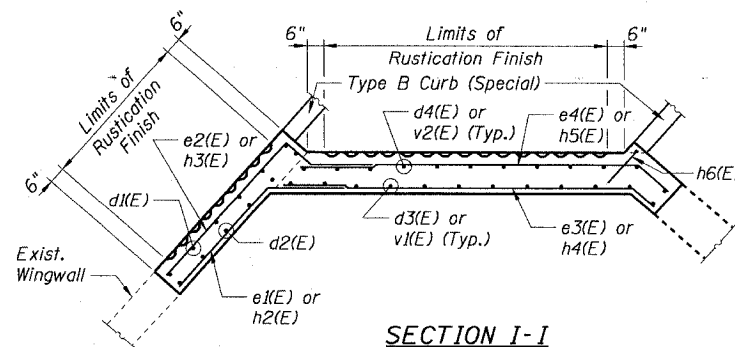


SECTION G-G

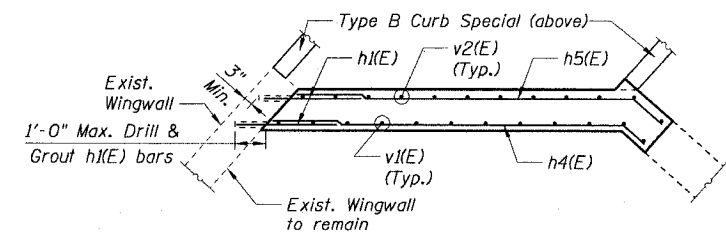
Maximum Applied Bearing Pressure; 2.0 Ksf



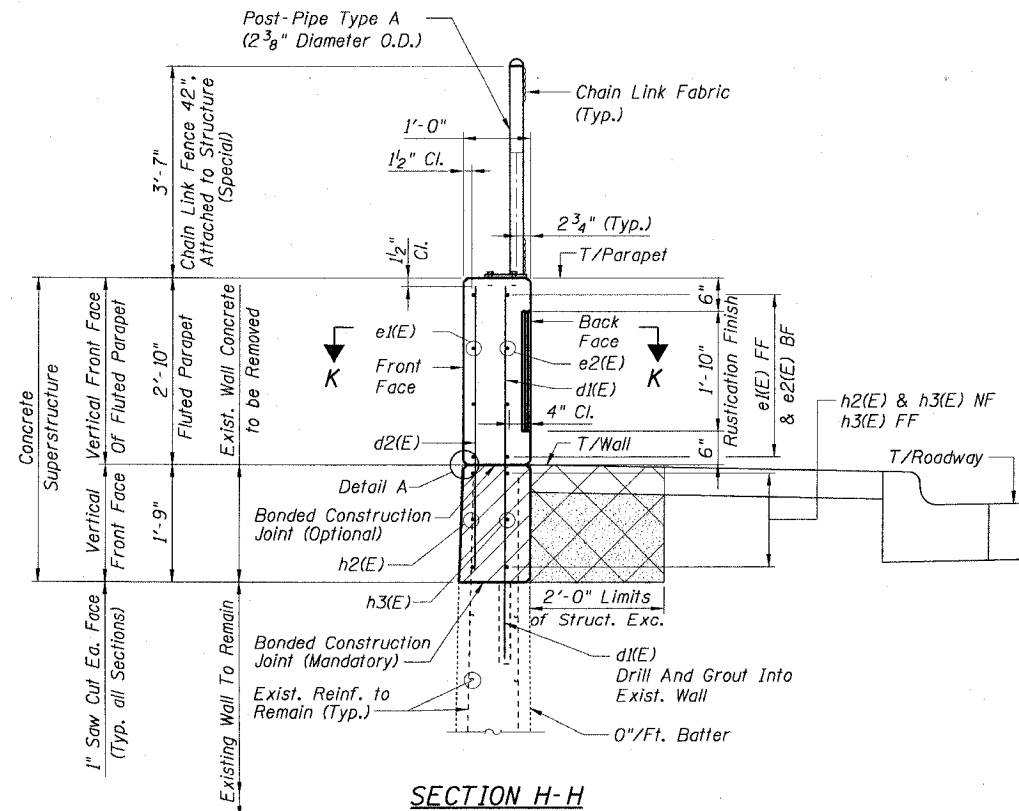
EXPANSION JOINT DETAIL AT VAULT



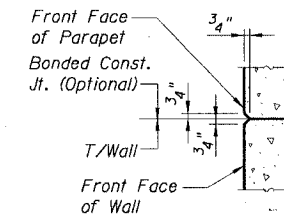
SECTION I-I



SECTION J-J



SECTION H-H



DETAIL A

LEGEND:

- Structure Excavation
- Porous Granular Embankment
- Concrete Removal

NOTES:

1. For Section K-K see Sheet CGa4.
2. Work Sheets CGa1 thru CGa4 together.

REVISIONS		DATE
NAME		

CGa3 OF 4
ILLINOIS DEPARTMENT OF TRANSPORTATION
F.A.I. 90/94 (DAN RYAN EXPRESSWAY)
SECTIONS AND DETAILS
NORTHWEST CORNER GARDEN
SOUTH WELLS STREET AT WEST 63rd STREET
SECTION 2021-922 PT.1-AC
STATION 508+23.41 TO 508+32.37
COOK COUNTY

SCALE: None
DATE: October 29, 2004
DRAWN BY: CHD/RJ
CHECKED BY: DC